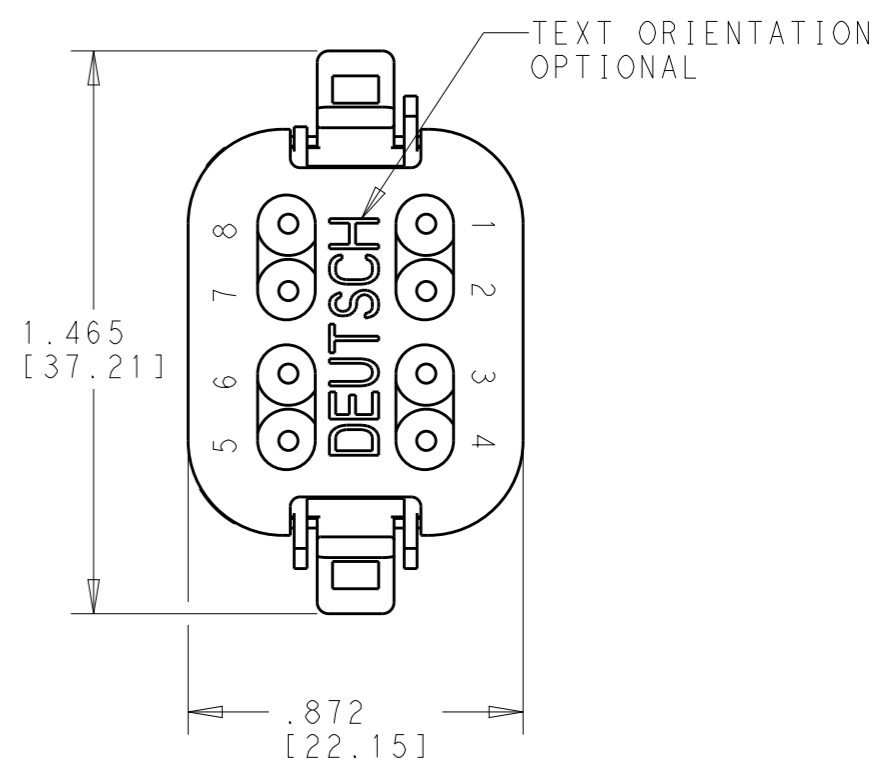
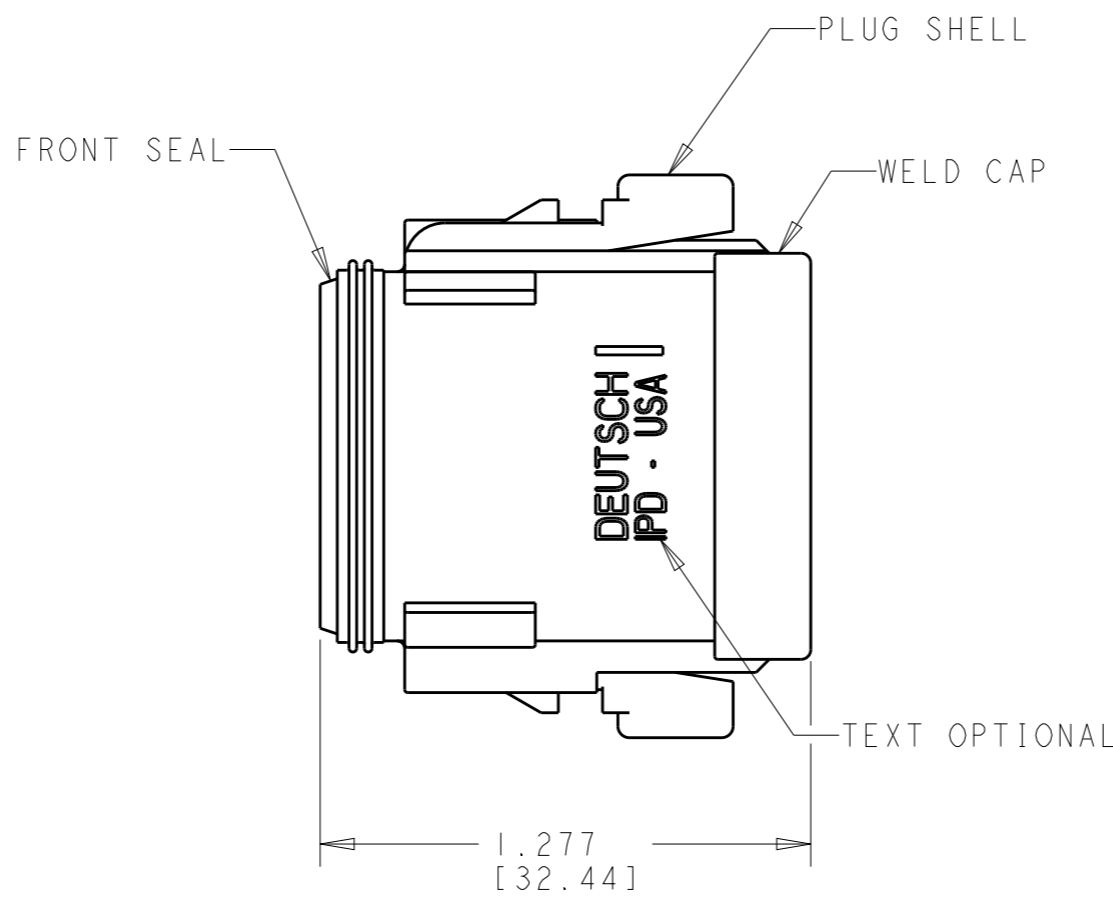
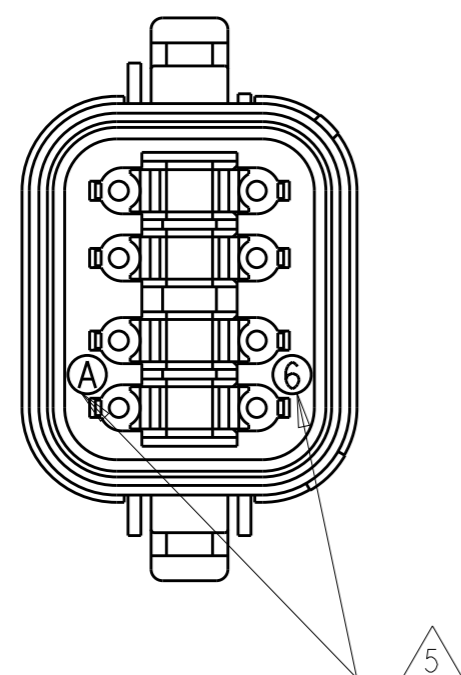
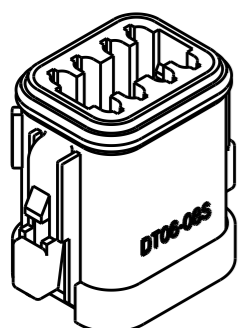


| REVISIONS | | | | | |
|-----------|-----|-----------------------------|-----------|-----|------|
| P | LTR | DESCRIPTION | DATE | DWN | APVD |
| | A | REVISED PER PCN E-18-006176 | 16APR2018 | SM | DM |
| | | | | | |
| | | | | | |



5 DATE CODE: MONTH IS REPRESENTED BY SEQUENTIAL ALPHA CHARACTERS. EX: A=JAN; YEAR IS REPRESENTED BY LAST NUMERICAL DIGIT. EX:(8=2018).

4. FOR CONTACT AND WIRE PERFORMANCE AND APPLICATION CHARACTERISTICS. SEE ENVELOPE DRAWINGS 0425-015-0000.

3 MATERIAL: PLUG HOUSING & END CAP: PA 66 GF15 (BLACK) GROMMET: VMQ (ORANGE-RED).

2. THIS PLUG MATES WITH DT04-08PA-XXXX RECEPTACLE. (XXXX=ALL MODIFICATIONS).

1. SECONDARY WEDGE LOCK SOLD SEPARATELY: W8S-P012.

NOTES:

| TE INTERNAL PN | DEUTSCH PN |
|----------------|----------------|
| DT06-08SA-EP08 | DT06-08SA-EP08 |

| CONTACT SIZE | MIN. INSUL. O.D. | MAX. INSUL. O.D. | WIRE RANGE [mm ²] |
|--------------|------------------|------------------|-------------------------------|
| 16 | .088 [2.23] | .145 [3.68] | 14-20 AWG [2.0-0.5] |

| | | | | |
|---|--|--------------------------------|---------------------------|---------------------------|
| THIS DRAWING IS A CONTROLLED DOCUMENT. | | DWN S. THEIS 25NOV1998 | | |
| DIMENSIONS: INCH[MM] | | CHK S. BEARD 28JAN1999 | | |
| TOLERANCES UNLESS OTHERWISE SPECIFIED: | | APVD R. REED 04FEB1999 | NAME 8 WAY PLUG DT SERIES | |
| 0 PLC ±- 1 PLC ±- 2 PLC ±- 3 PLC ±.025[.63] 4 PLC ±- ANGLES ±0° 30' 0" | | PRODUCT SPEC 108-151009 | SIZE A3 | |
| MATERIAL | | APPLICATION SPEC 0425-017-0000 | CAGE CODE 4AFU8 | DRAWING NO DT06-08SA-EP08 |
| FINISH | | WEIGHT 14 g | RESTRICTED TO | |
| 3 | | CUSTOMER DRAWING | SCALE 2:1 | SHEET 1 OF 1 REV A |