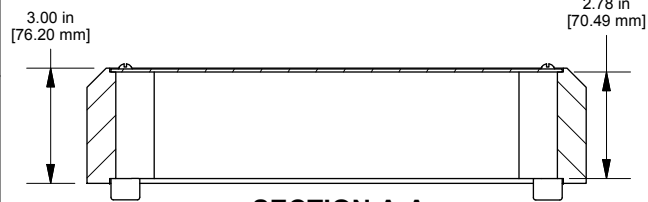
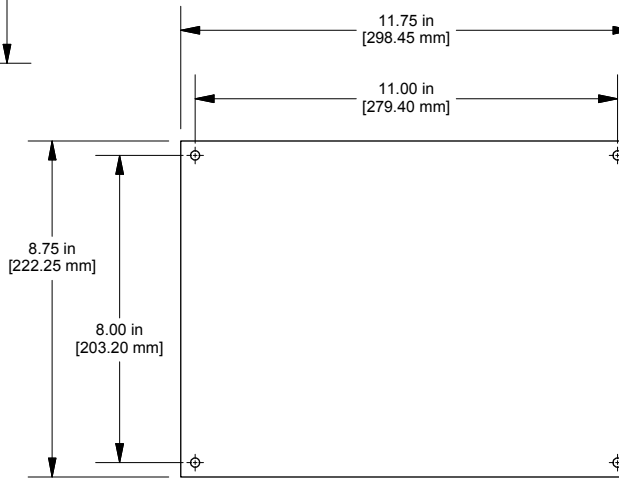


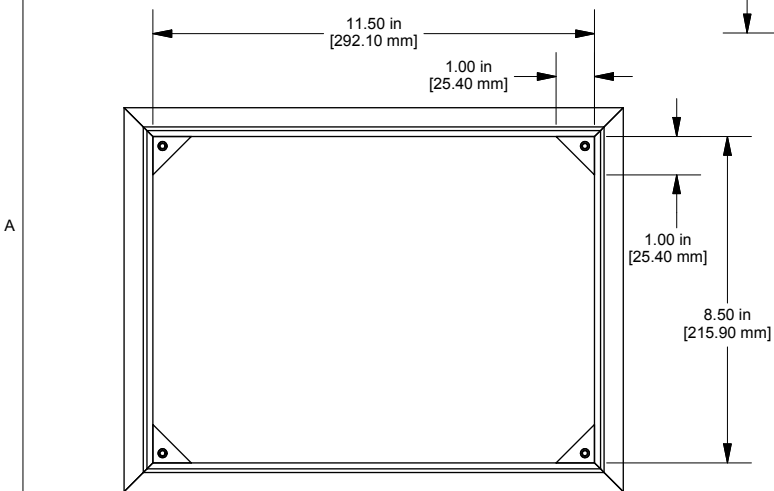
Assembly - Top View



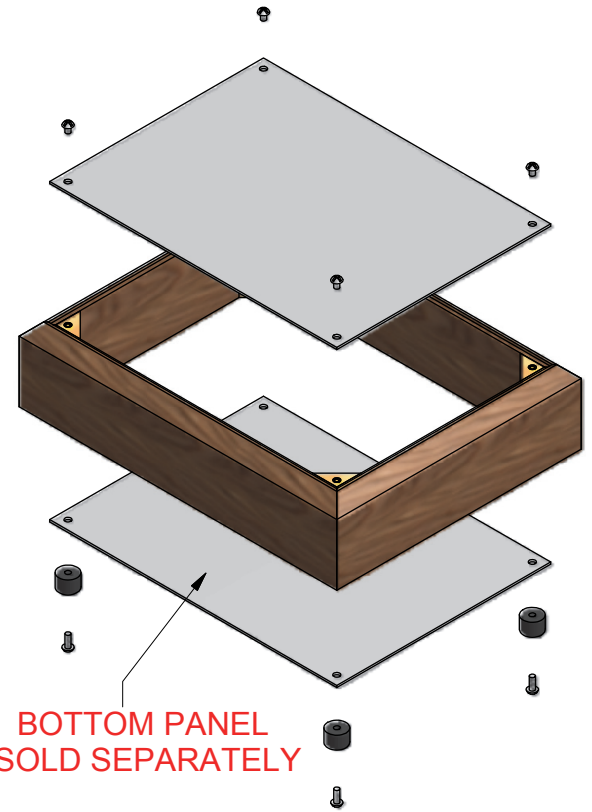
SECTION A-A



Panel



Chassis Inside View



**BOTTOM PANEL
SOLD SEPARATELY**

NOTE	
Purchased Assembly Includes Solid Walnut Frame, Steel Or Aluminum Top Panel, Rubber Feet And 8 Assembly Screws. Bottom Panel Sold Separately	
Screws Should Not Be Torqued Pass 4.43 lbf.in (50 cN.m)	
PART NUMBERS	
WALNUT CHASSIS	
Assembled Chassis - 13" x 10"	CHASSIS13
ACCESSORIES	
FSPE628-507 8-32 INSERT	HWINSERT
#8-32 X 5/16 MS TRUSS PHIL 18-8	SC1440
HW CHASSIS RUBBER FT SET	SC1440-C
13" x 10" BOX PANEL (ALUMINUM)	COM56813-2

Enclosures can be Factory Modified (Milling, Drilling, Printing etc.)
Solid models of this enclosure available in STEP or IGES.
Contact Factory mjm@hammondmfg.com

