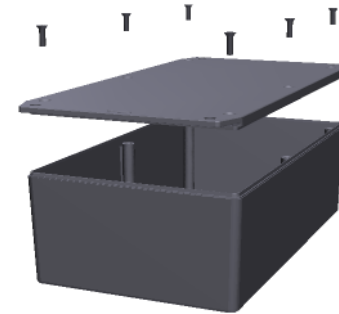
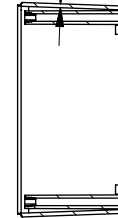


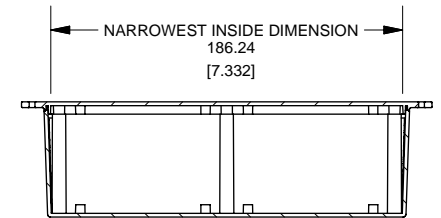
# 1591XXEFL Enclosure



AVERAGE WALL THICKNESS  
2.00  
[.079]



SECTION A-A



SECTION C-C

NARROWEST INSIDE DIMENSION  
186.24  
[7.332]

**Note:**  
Enclosures can be Factory Modified ( Milling, Drilling, Printing etc. )  
Solid models of this enclosure available in STEP or IGES.  
Contact Factory [mjm@hammondmfg.com](mailto:mjm@hammondmfg.com)

NOTE	
Enclosure molded from FRABS UL 94-V0 Plastic. Other materials / Colours Available Consult Factory	
1591XXEFL	
1590XXE Flanged Lid Enclosure	
Black Enclosure Cover Screws (Pkg 100)	1591XXEFLBK
Gray Enclosure - RAL 7035	1591XXEFLGY
ACCESSORIES	
Black Enclosure Cover Screws (Pkg 100)	1591MS100BK
Gray Enclosure Cover Screws (Pkg 100)	1591MS100
P.C. Board Screws (All Boxes)	
P.C. Board Screws (#4 x 1/4" self-tapping (6.4mm))	1593ATS50 (Pkg 50) 1593ATS100 (Pkg 100)



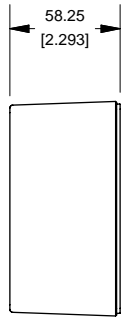
Max Size PCB. Fits in Box or in Lid.  
Not supplied with Enclosure

B

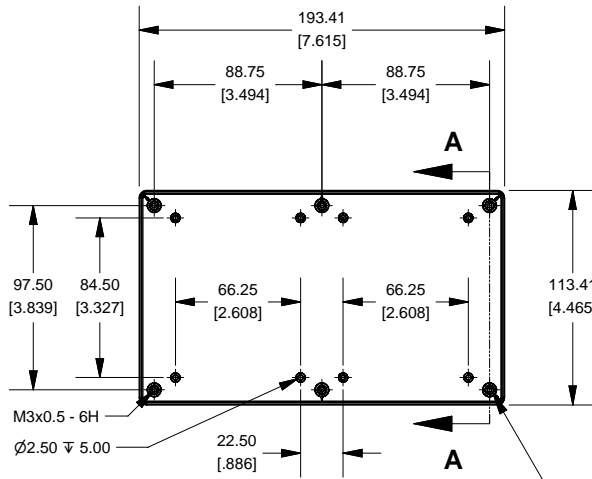
B

A

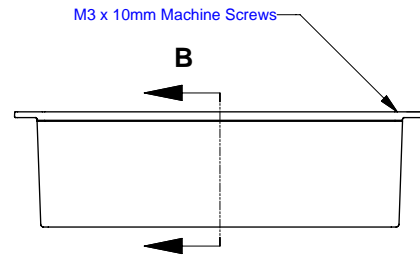
A



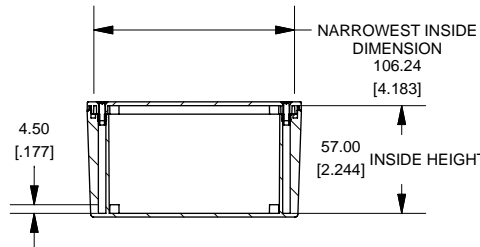
SIDE VIEW OF BOX



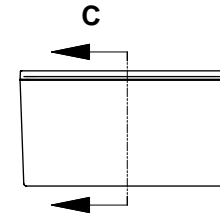
TOP VIEW OF BOX



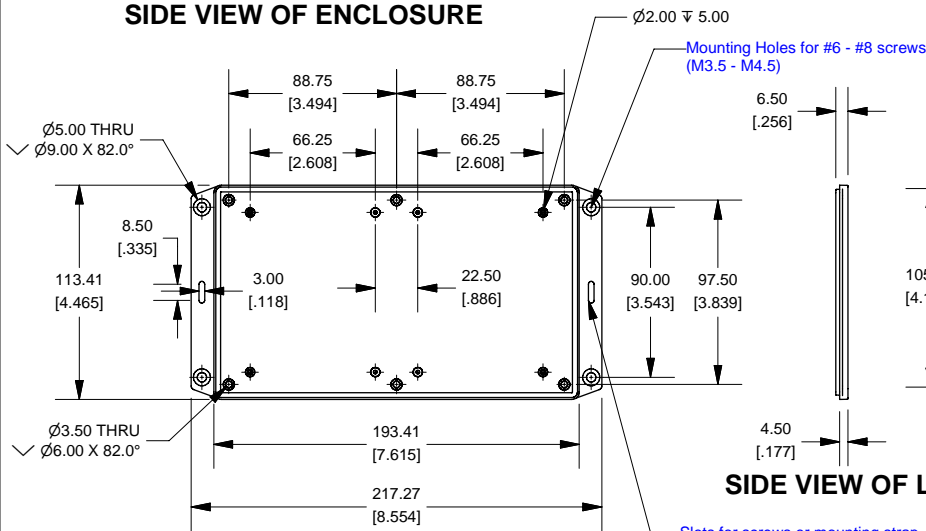
SIDE VIEW OF ENCLOSURE



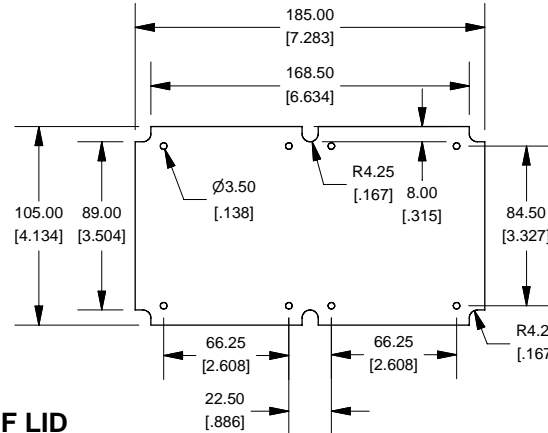
SECTION B-B



END VIEW OF ENCLOSURE



BOTTOM VIEW OF LID



SIDE VIEW OF LID