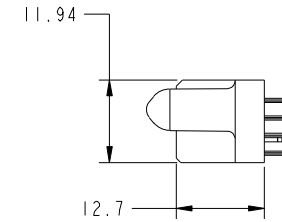
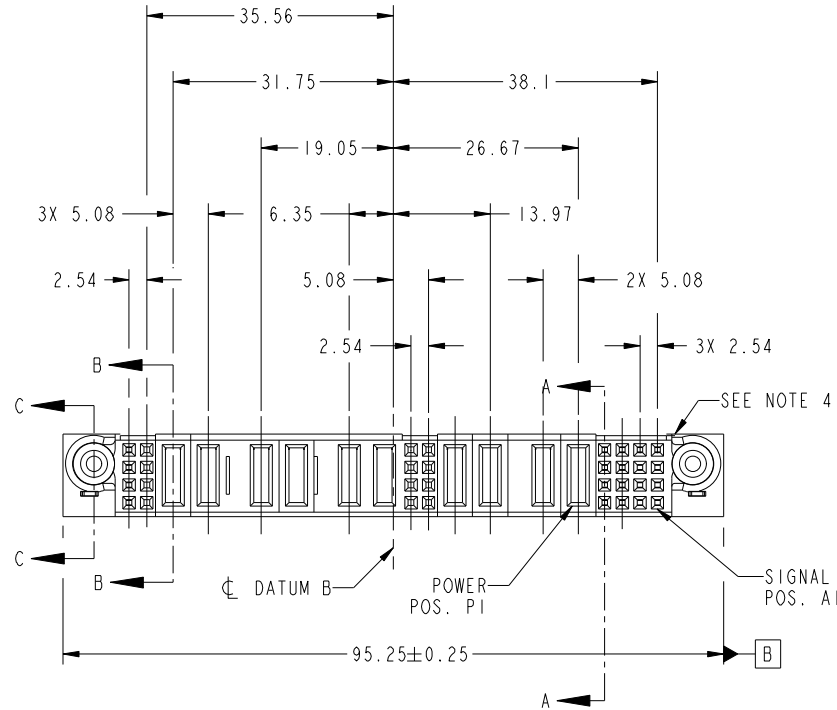


Tous droits strictement reserves. Reproduction ou communication a des tiers interdite sous quelque forme que ce soit sans autorisation écrite du propriétaire. Propriete de c FCI. Droits de reproduction FCI.



All rights strictly reserved. Reproduction or issue to third parties in any form whatever is not permitted without written authority from the proprietor. Property of FCI. Copyright FCI.

PRODUCT NO.	ROWS	SIG		POWER						SIG		POWER				SIG		
		E2	8 7	P10	P9	P8	P7	P6	P5	6 5	P4	P3	P2	P1	4	3	2	1
51940-175_	D C B A		EX EX EX EX	PD	PD	PD	PD	PA	PA	XX XX XX XX	PA	X	PD	X	EEEE EEEE EEEE EEEE			
NOTE: 3																		



CODE	DIM "M" MATING LENGTH	CONTACT TYPE
E	[N/A]	SIGNAL
PA	[1.07]	POWER
PD	[2.34]	POWER
HA	[N/A]	HOLD-DOWN
X	OMITTED	OMITTED

mat'l code 0				tolerances unless otherwise specified		CUSTOMER		 www.fciconnect.com	
ltr	ecn no.	dr	date	linear	0.X ±0.3	COPY		projection	
A	DG07-0442	JC	11/08/07	angles	0.XX ±0.13			title 16S + 4P + 8S + 6P + 8S VERTICAL SOLDER RECEPTACLE	
					0.XXX ±0.051			product family PwrBlade code 213	
				dr	0° ±2°	scale 1:1		size dwg no 51940-175 sheet 1 of 4	
				enrg	Jerome Chen 11/08/07				
				chr	Jerome Chen 11/08/07				
				appd	Gary Hsieh 11/08/07				
					Joseph Hsia 11/08/07				
sheet index	revision sheet	A 1	A 2	A 3	A 4				

cage code 22526

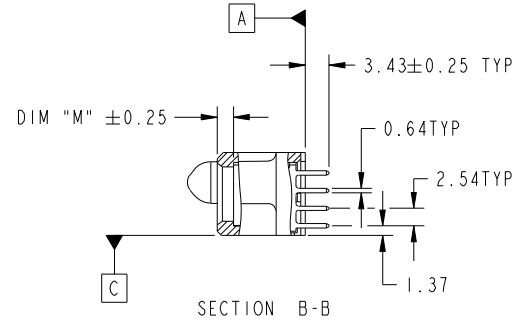
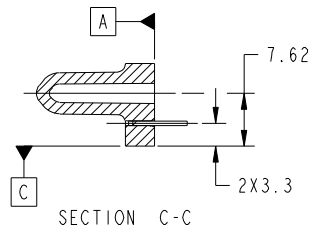
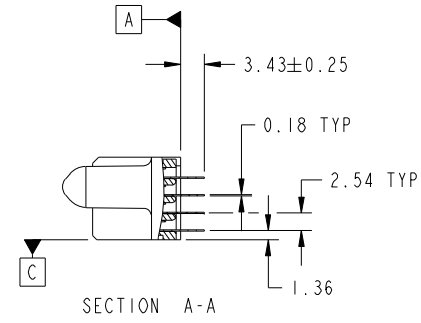
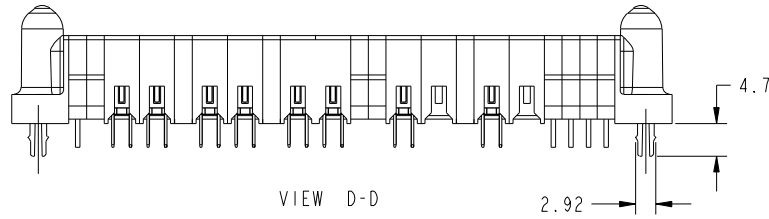
Pro/E

Tous droits strictement reserves. Reproduction ou communication a des tiers interdite sous quelque forme que ce soit sans autorisation écrite du propriétaire. Propriete de c FCI. Droits de reproduction FCI.



All rights strictly reserved. Reproduction or issue to third parties in any form whatever is not permitted without written authority from the proprietor. Property of FCI. Copyright FCI.

PRODUCT NUMBER
51940-175--
NOTE: 3



mat'l code				0	tolerances unless otherwise specified		CUSTOMER			
ltr	ecn no.	dr	date	linear	0.X ±0.3		COPY		www.fciconnect.com	
A					0.XX ±0.13		projection		title 16S + 4P + 8S + 6P + 8S VERTICAL SOLDER RECEPTACLE	
					0.XXX ±0.051				product family PwrBlade code 213	
				angles	0° ±2°		MIM		size	sheet
				dr	Jerome Chen	11/08/07	scale		dwg no	2 of 4
				enr	Jerome Chen	11/08/07	1:1		A	51940-175
				chr	Gary Hsieh	11/08/07				
				appd	Joseph Hsia	11/08/07			2 of 4	
sheet index	revision sheet									

Pro/E

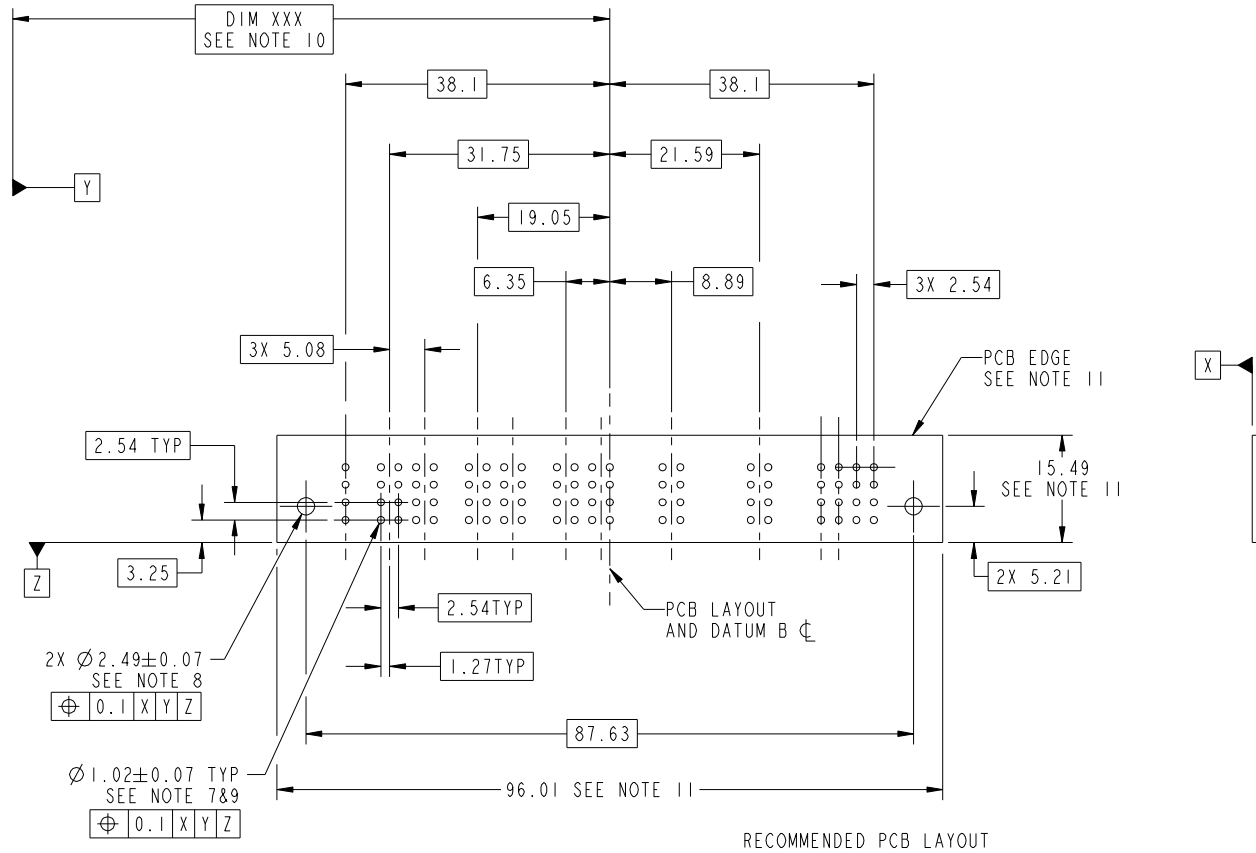
cage code 22526

Tous droits strictement reserves. Reproduction ou communication a des tiers interdite sous quelque forme que ce soit sans autorisation écrite du propriétaire. Propriete de c FCI. Droits de reproduction FCI.



All rights strictly reserved. Reproduction or issue to third parties in any form whatever is not permitted without written authority from the proprietor. Property of FCI. Copyright FCI.

PRODUCT NUMBER
51940-175__
NOTE: 3



mat'l code		0		tolerances unless otherwise specified		CUSTOMER		FCI		www.fciconnect.com	
ltr	ecn no.	dr	date	linear	0.X ± 0.3	COPY		projection		title 16S + 4P + 8S + 6P + 8S VERTICAL SOLDER RECEPTACLE	
A					0.XX ± 0.13	MIM		product family		PwrBlade code 213	
				angles	0.XXX ± 0.051	← MIM →		size		dwg no 213	
				dr	0° ± 2°	scale		A		sheet 3 of 4	
				enr	Jerome Chen 11/08/07	1:1		51940-175			
				chr	Jerome Chen 11/08/07						
				app	Gary Hsieh 11/08/07						
					Joseph Hsia 11/08/07						
sheet index	revision sheet										

Pro/E

cage code 22526

Tous droits strictement reserves. Reproduction ou communication a des tiers interdite sous quelque forme que ce soit sans autorisation écrite du propriétaire. Propriete de c FCI. Droits de reproduction FCI.



All rights strictly reserved. Reproduction or issue to third parties in any form whatever is not permitted without written authority from the proprietor. Property of FCI. Copyright FCI.

PRODUCT NUMBER
51940-175__
NOTE: 3

NOTES:

- DIMENSIONS AND TOLERANCES ARE IN ACCORDANCE WITH ASME Y14.5M, 1994 UNLESS OTHERWISE SPECIFIED.
- CONNECTOR NOTES:
 - HOUSING MATERIAL: UL 94 V-0 GLASS FILLED HIGH-TEMP THERMOPLASTIC
POWER CONTACT MATERIAL: COPPER ALLOY
SIGNAL PIN MATERIAL: COPPER ALLOY
 - PLATING:
SEE PRINT 10064183 FOR PLATING SPEC OF 51940-175; 51940-175LF.
 - MANUFACTURER'S NAME, P/N, AND DATE CODE TO APPEAR ON THIS SURFACE.
 - PRODUCT SPECIFICATION GS-12-149.
APPLICATION SPECIFICATION BUS-20-067.
- PACKAGED IN TRAYS.

PCB NOTES:

- ALL HOLE DIAMETERS ARE FINISHED HOLE SIZE.
- MOUNTING HOLES, WHERE APPLICABLE, ARE UNPLATED.
- $\varnothing 1.151 \pm 0.025$ DRILLED HOLES PLATED WITH 0.008 MIN SnPb OR Sn OVER 0.03 TO 0.08 Cu PLATING TO ACHIEVE $\varnothing 1.02 \pm .07$ HOLE.
- "DIM XXX" TO BE DETERMINED BY THE CUSTOMER.
- CONNECTOR KEEP-OUT ZONE.

mat'l code		0		tolerances unless otherwise specified		CUSTOMER		FCI		www.fciconnect.com	
ltr	ecr no.	dr	date	linear	0.X ± 0.3	COPY		projection		title	
A					0.XX ± 0.13	MIM				16S + 4P + 8S + 6P + 8S VERTICAL SOLDER RECEPTACLE	
				angles	0.XXX ± 0.051	MIM		product family		code	
				dr	0° ± 2°	MIM		PwrBlade		213	
				enr	Jerome Chen 11/08/07	scale		size		sheet	
				chr	Jerome Chen 11/08/07	1:1		A		4 of 4	
				appd	Gary Hsieh 11/08/07			51940-175			
					Joseph Hsia 11/08/07						
sheet index	revision sheet										

cage code 22526

Pro/E