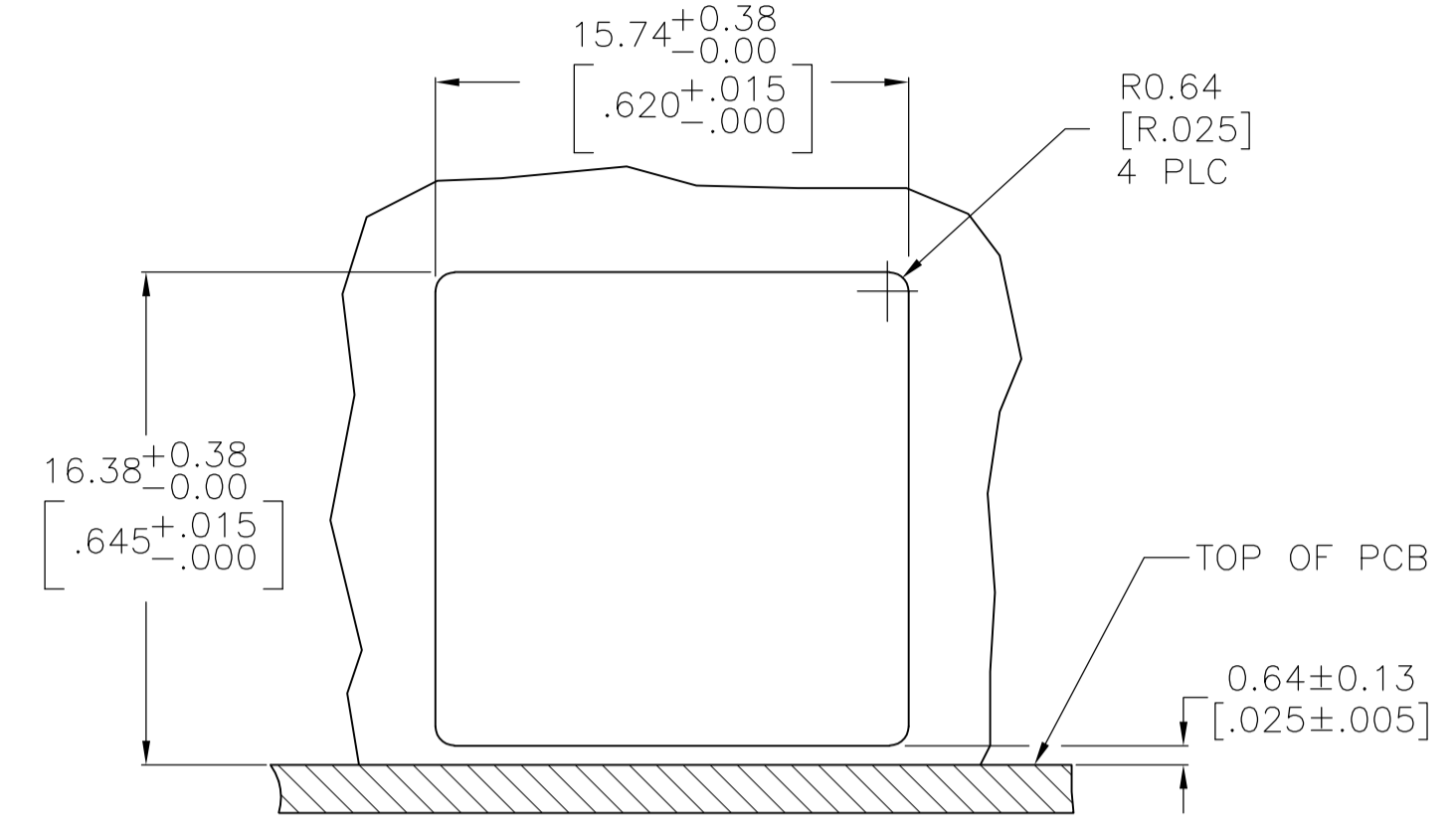
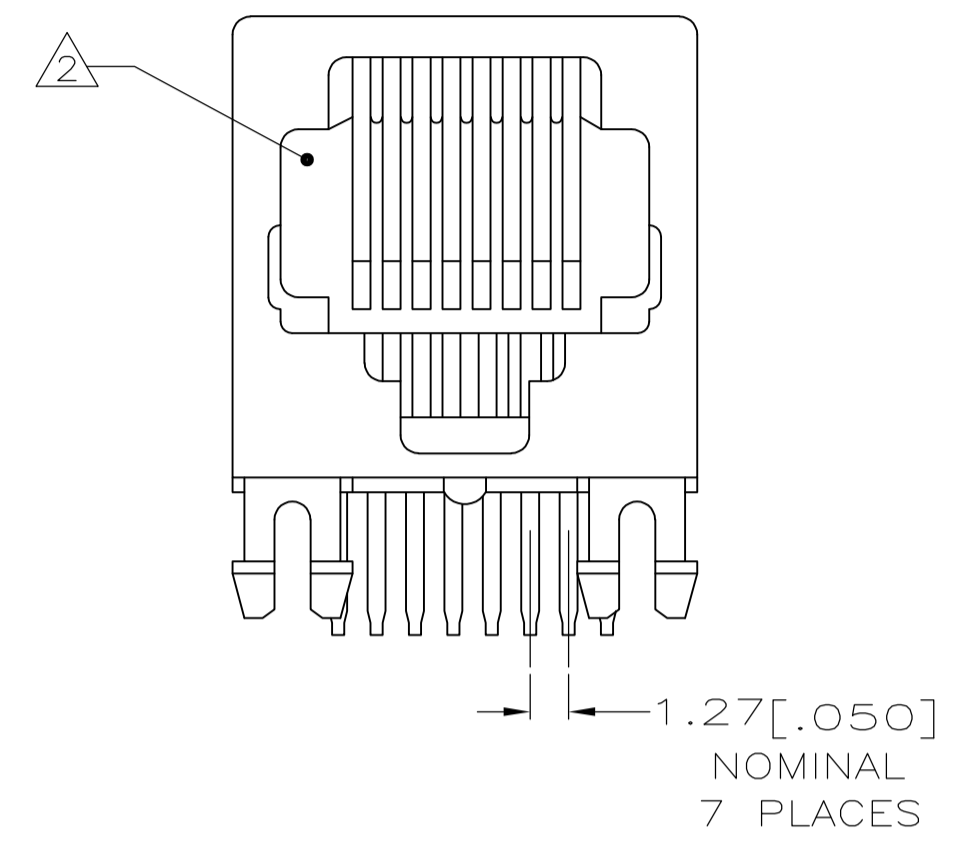
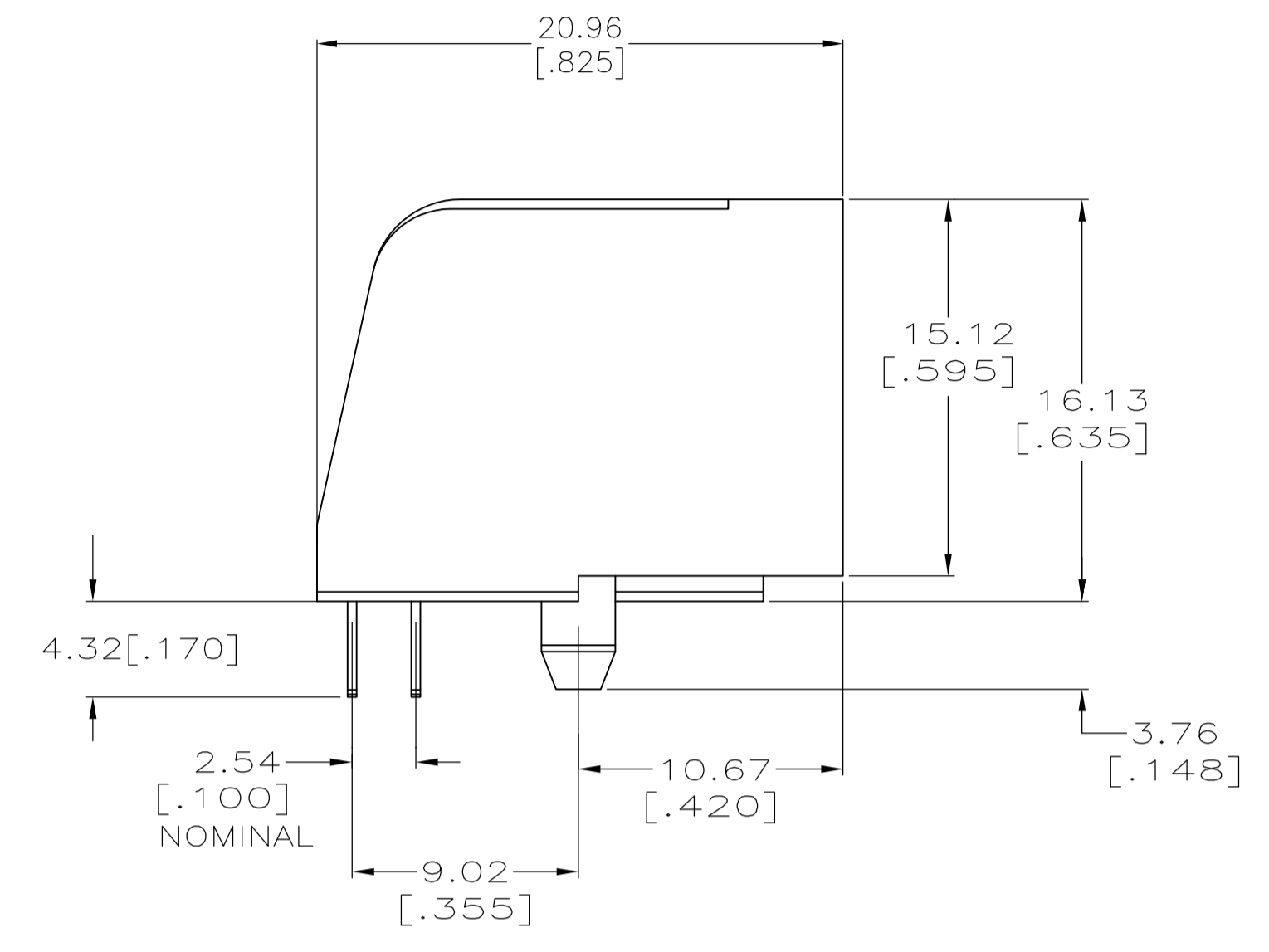
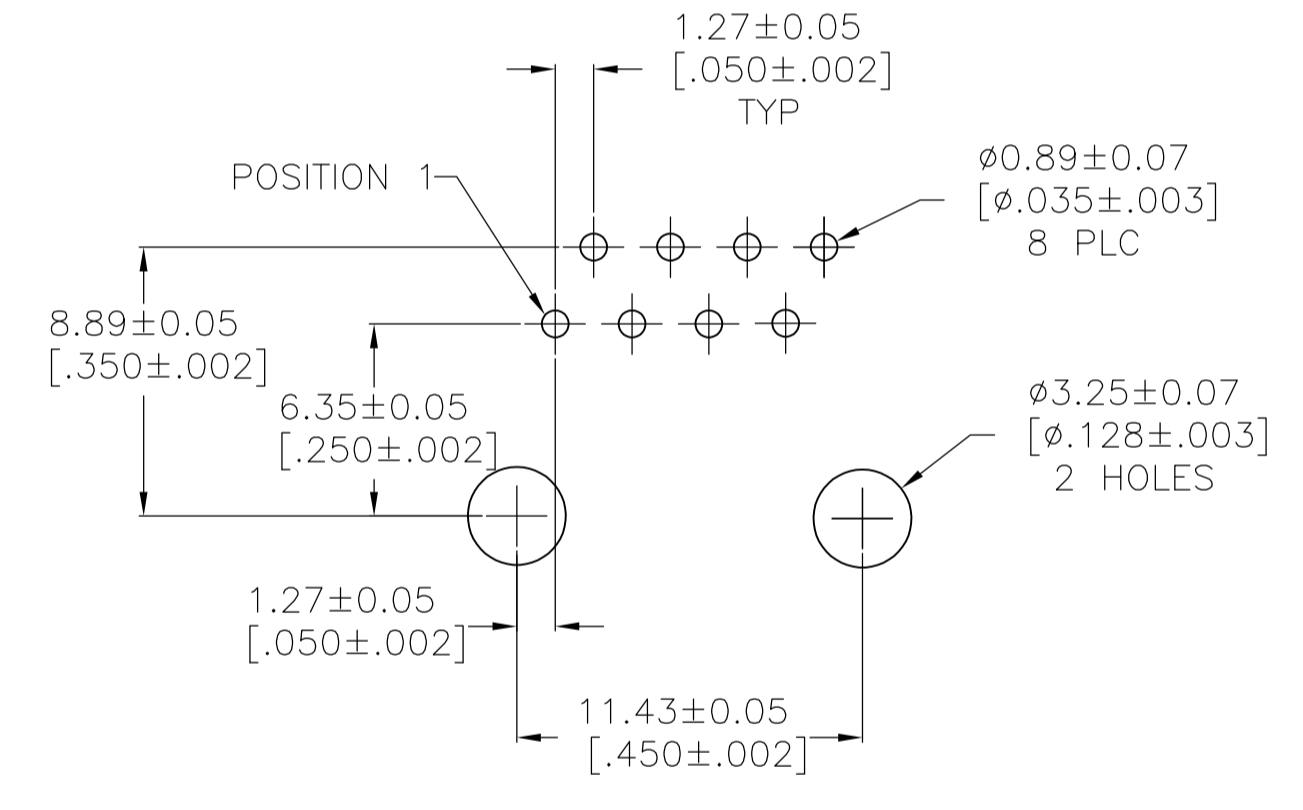
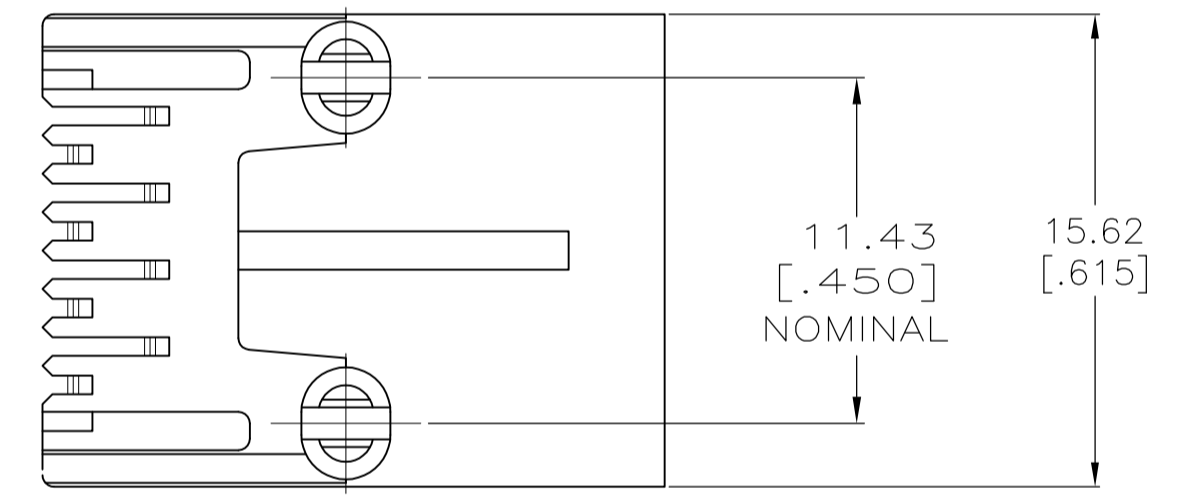


LOC	DIST	REVISIONS			
P	LTR	DESCRIPTION	DATE	DN	APVD
B1		REVISED PER ECO-11-005140	28MAR11	RK	HMR



- MATERIAL: HOUSING PBT POLYESTER, COLOR: BLACK. TERMINAL-0.36 [.014] THICK PHOS-BRONZE PLATED WITH 1.27um [.000050] MINIMUM THICK HARD GOLD IN LOCALIZED GOLD PLATE AREA AND 3.81um [.000150] MINIMUM THICK MATTE TIN IN SOLDER AREA OVER 1.27um [.000050] MINIMUM THICK NICKEL UNDERPLATE.
- CAVITY CONFORMS TO FCC RULES AND REGULATIONS PART 68 AND REA BULLETIN 345-81, PE-76 SPECIFICATION FOR MODULAR TELEPHONE HARDWARE.
- ALL DIMENSIONS SHOWN ARE MAXIMUM UNLESS OTHERWISE SPECIFIED.
- BULK PACKAGED IN TRAY



RECOMMENDED PRINTED CIRCUIT BOARD LAYOUT COMPONENT SIDE SHOWN

4	8	5520426-4
PACKAGED	CONTACTS	PART NUMBER

THIS DRAWING IS A CONTROLLED DOCUMENT.		DIN G. ATTADIA - 06/JUN/2005		STE TE Connectivity	
DIMENSIONS: mm [INCHES]		CHK J. WESTMAN 06/JUN/2005		NAME	
TOLERANCES UNLESS OTHERWISE SPECIFIED:		APVD S. FLICKINGER 06/JUN/2005		MODULAR JACK ASSEMBLY, SIDE ENTRY, 8 POSITION, FLANGELESS, WITHOUT PANEL STOPS	
0 PLC ± -	1 PLC ± -	PRODUCT SPEC	108-1163	SIZE	A1
2 PLC ± 0.13[.005]	3 PLC ± -	APPLICATION SPEC	114-2048	CAGE CODE	5520426
4 PLC ± -	ANGLES ± -	WEIGHT	-	RESTRICTED TO	-
MATERIAL SEE NOTE 1	FINISH SEE NOTE 1	CUSTOMER DRAWING	SCALE 4:1	SHEET 1 OF 1	REV B1