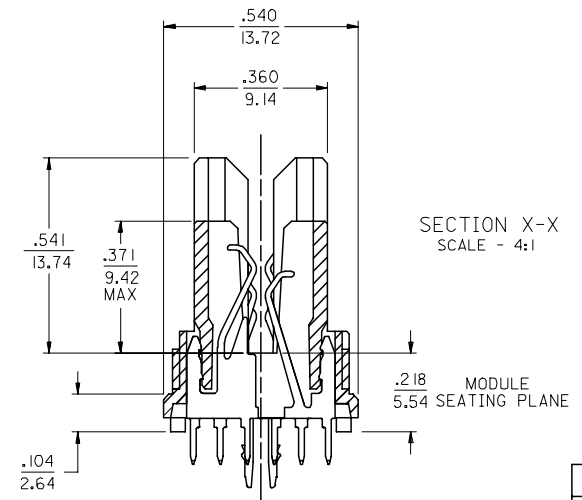
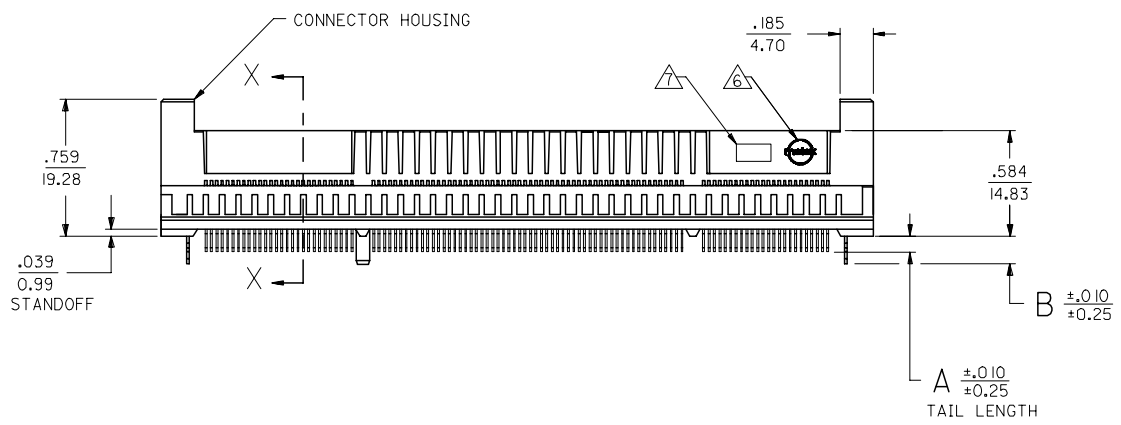
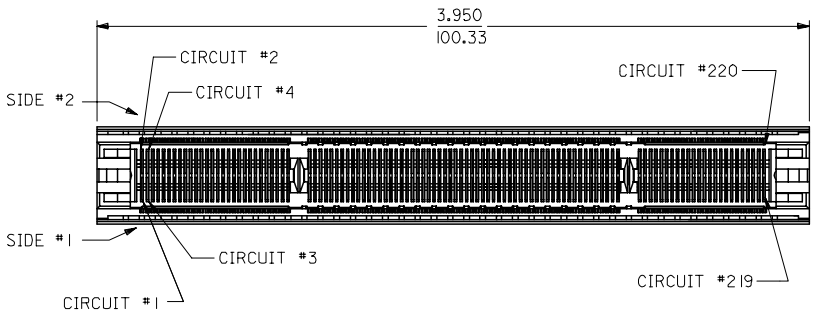


NOTES:

- MATERIALS:**  
HOUSING - LCP, 30% GLASS FILLED, 94-V0, BLACK.  
TERMINALS - PHOSPHOR BRONZE.  
METAL FORKLLOCKS - PHOSPHOR BRONZE.
- FINISH:**  
TERMINALS - .000030/0.00076 MINIMUM GOLD IN THE CONTACT AREA AND .000075/0.0019 MINIMUM TIN IN SOLDER TAIL AREA OVER .000050/0.0013 MINIMUM NICKEL OVERALL.  
METAL FORKLLOCKS - .00008/0.002 MINIMUM TIN OVERALL.
- PRODUCT SPECIFICATION PS-71109-9999 APPLIES.
- CARD SLOT ACCEPTS .062 +.007/-.005 P.C. BOARD.
- THE RECOMMENDED PLATING SPECIFICATION FOR THE MATING PC BOARD IS .000030/0.0076 MINIMUM GOLD OVER .000075/0.0019 MINIMUM NICKEL.
- MOLEX LOGO SHALL APPEAR ON BOTH SIDES OF HOUSING, AND LOCATED APPROXIMATELY AS SHOWN.
- FOUR DIGIT DATE CODE (YR/WK) SHALL BE LOCATED APPROXIMATELY AS SHOWN.
- THE PRIMARY SHIPPING CARTON WILL BE LABELED "COMPLIANT TO ROHS DIRECTIVE 2002/95/EC AND ELV ANNEX II OF DIRECTIVE 2000/53/EC". CARTONS WITHOUT THIS LABEL MAY CONTAIN PRODUCT WITH LEAD.



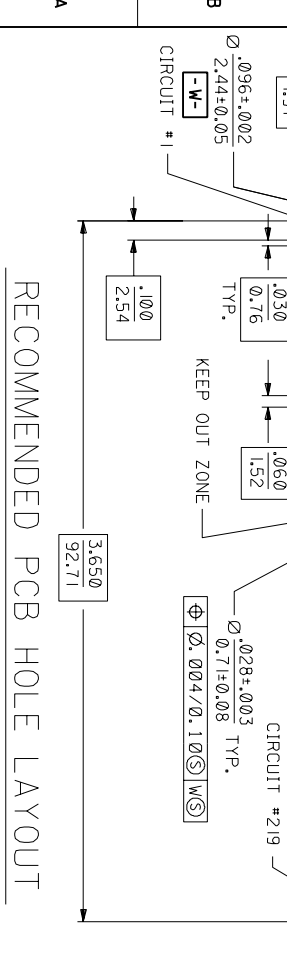
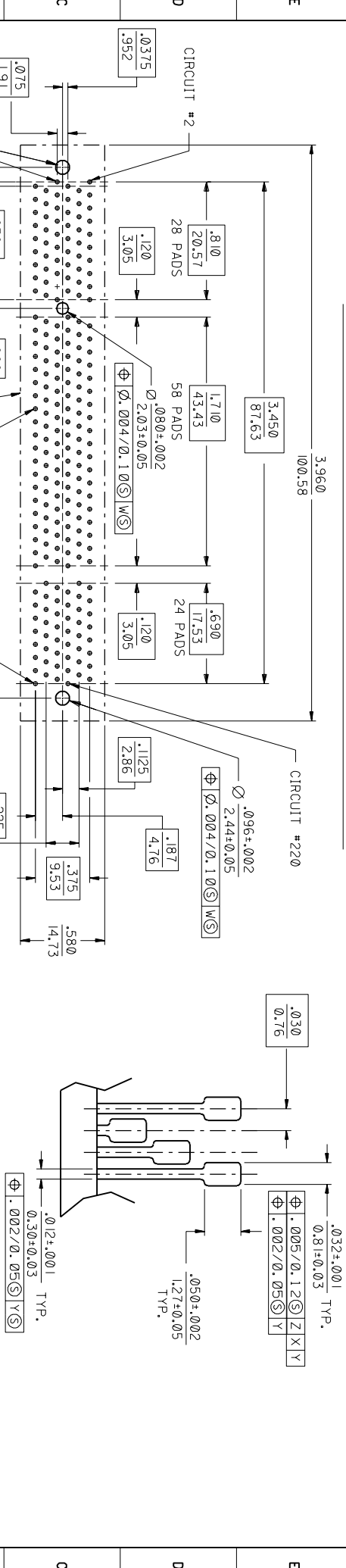
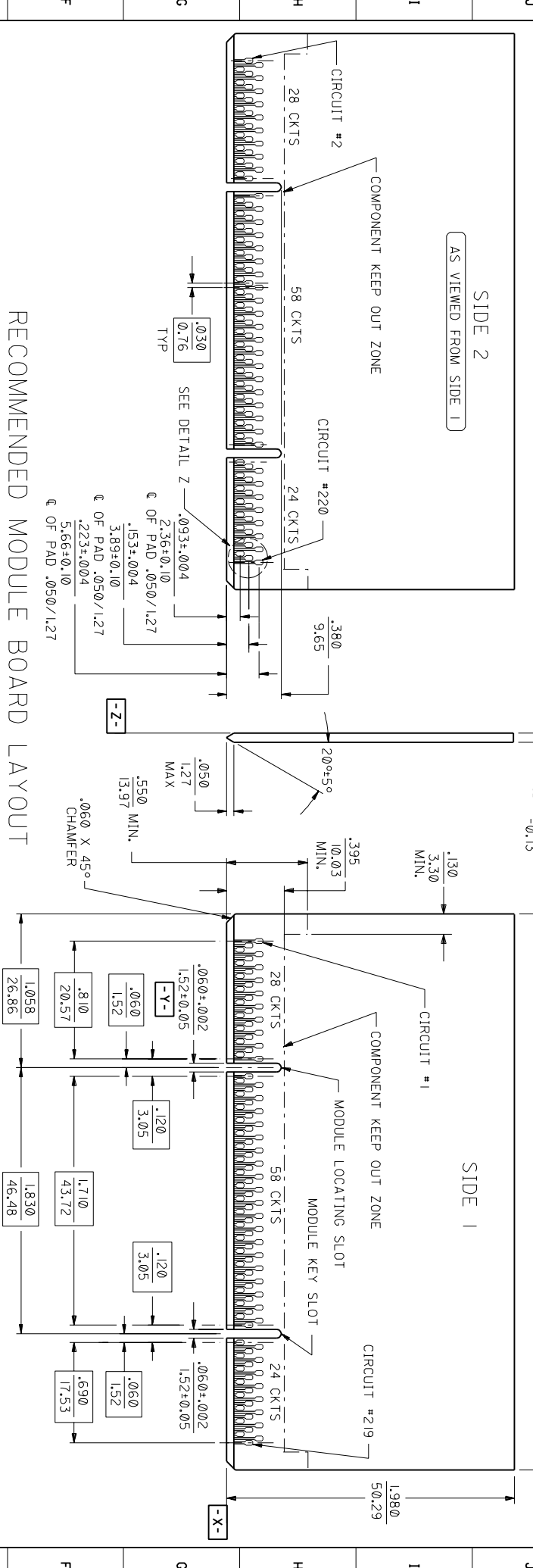
71109-5003	.140/3.56	.155/3.94
71109-5002	.115/2.92	.155/3.94
71109-5001	.090/2.29	.155/3.94
MAT'L NUMBER	A	B

MODIFY 71109-5003 EC NO: UCP2006-1372	2005/12/19	DRW:MS/BARRA
2006/01/05	CHKD:DMORGAN	2006/01/06
APPR:SMILLER	2006/01/06	
REV	DESCRIPTION	

QUALITY SYMBOLS =0 =0	GENERAL TOLERANCES (UNLESS SPECIFIED)	DIMENSION STYLE IN/MM	SCALE 2:1	DESIGN UNITS INCH	THIRD ANGLE PROJECTION
	4 PLACES ± --- ± --- 3 PLACES ± --- ± .005 2 PLACES ± 0.13 ± --- 1 PLACE ± --- ± --- ANGULAR ±1/2°	DRAWN BY NELSON	DATE 1997/06/20	TITLE SALES ASSEMBLY 220 CKT HISPEC CONNECTOR W/ METAL FORKLLOCKS	MATERIAL NO. SD-71109-502
DRAFT WHERE APPLICABLE MUST REMAIN WITHIN DIMENSIONS		SEE TABLE	THIS DRAWING CONTAINS INFORMATION THAT IS PROPRIETARY TO MOLEX INCORPORATED AND SHOULD NOT BE USED WITHOUT WRITTEN PERMISSION		

2	D
1	H
SHT	REV

13 12 11 10 9 8 7 6 5 4 3 2 1 7109



DESCRIPTION	
MAJOR	QUALITY SYMBOLS
$\nabla = 0$	CRITICAL
$\nabla / C = 0$	

GENERAL TOLERANCES: (UNLESS SPECIFIED)	
M/M	MM
INCH	INCH

SCALE	
2:1	DESIGN UNITS
2:1	DRAWN BY & DATE
	CHECKED BY & DATE
	NELSON 06/20/97
	APPROVED BY & DATE
	FUNK 06/20/97
	CAD FILENAME
	ST110963.S02

TITLE:	
SALES ASSEMBLY	
220 CKT 'HISPec' CONNECTOR	
THRU-HOLE W/ METAL FORKLOCKS	
MOLEX INCORPORATED	

MATERIAL NO.	
SD-71109-502	

DRAWING NO.	
SD-71109-502	

SHEET NO.	
2	

SHEET NO.	
2	

BORD:09N REV A 96/06/12 LEVEL 5 12 11 10 9 8 7 6 5 4 3 2 1