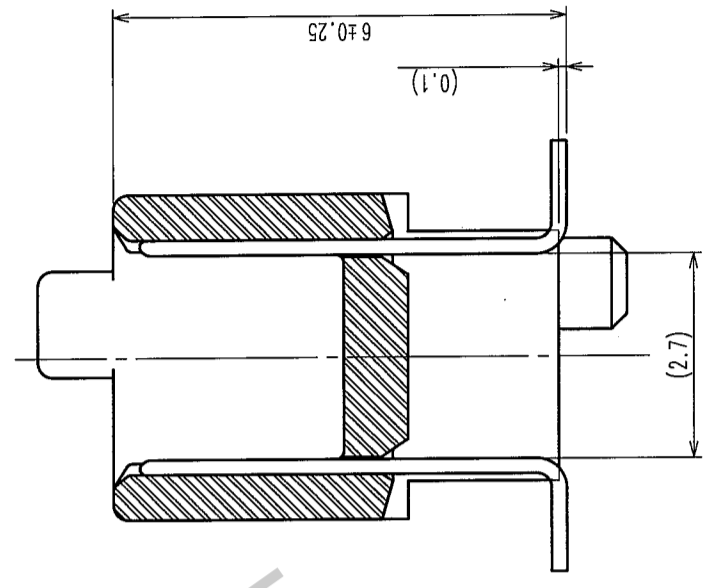


COUNT	DESCRIPTION OF REVISIONS	BY	CHKD	DATE	COUNT	DESCRIPTION OF REVISIONS	BY	CHKD	DATE
△					△				
△					△				
△					△				

A-A (10:1)

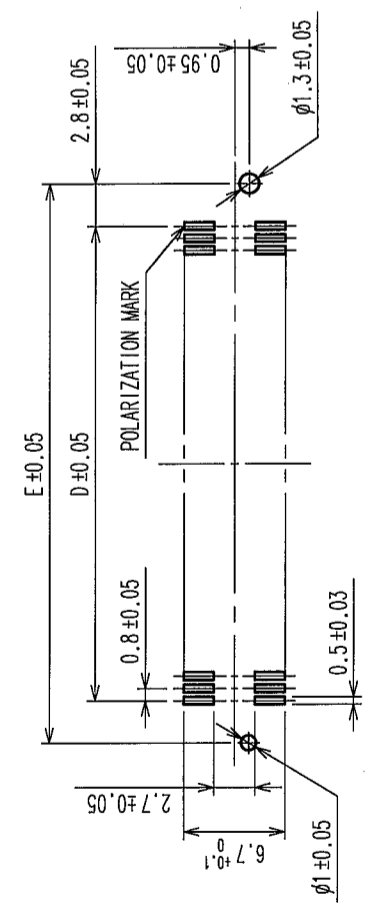
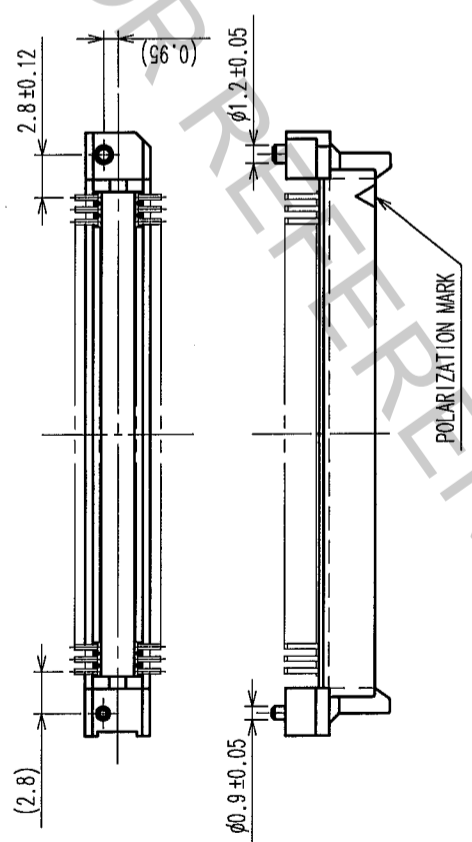
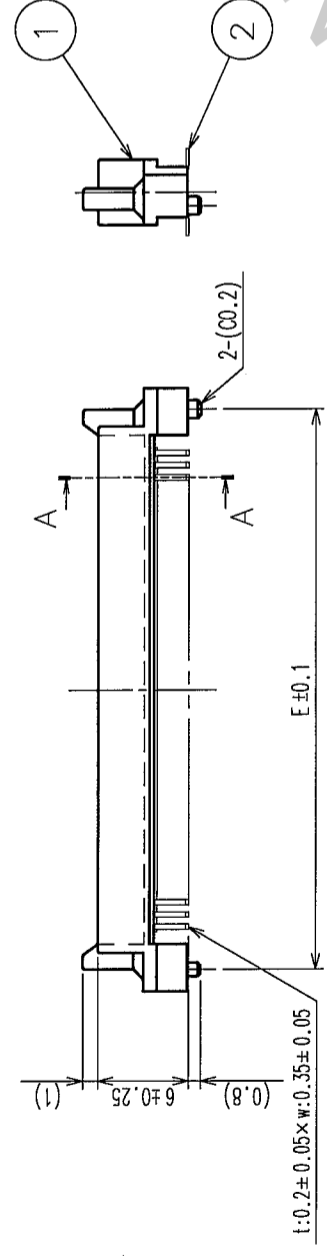
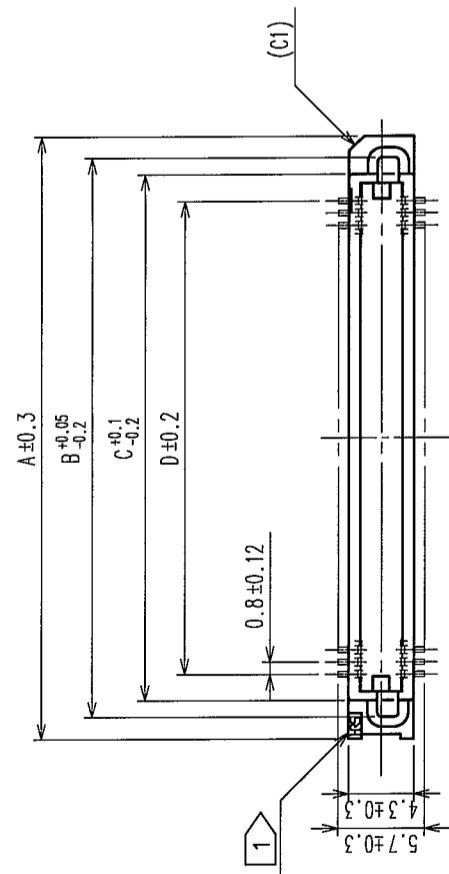


DIMENSION TABLE OF CONNECTOR AND P.C.B. LAND PATTERN.

PART No.	CODE No.	5	A	B	C	D	E
FX6-20P-0.8SV2(71)	CL576-0041-8-71	20	15.8	12.9	10.7	7.2	12.8
FX6-40P-0.8SV2(71)	CL576-0043-3-71	40	23.8	20.9	18.7	15.2	20.8
FX6-50P-0.8SV2(71)	CL576-0044-6-71	50	27.8	24.9	22.7	19.2	24.8
FX6-60P-0.8SV2(71)	CL576-0045-9-71	60	31.8	28.9	26.7	23.2	28.8
FX6-80P-0.8SV2(71)	CL576-0047-4-71	80	39.8	36.9	34.7	31.2	36.8
FX6-100P-0.8SV2(71)	CL576-0048-7-71	100	47.8	44.9	42.7	39.2	44.8

- NOTE 1 HRS MARK SHOULD BE OPTIONAL.  
 2. LEAD CO-PLANARITY SHALL BE 0.1mm MAX.  
 3. FOR MODIFICATION, ETC., PREVENTIVE HOLE FOR SINK MARK MAY BE ADDED ACCORDING TO CIRCUMSTANCES.  
 4. THE DIMENSIONS IN PARENTHESES ARE FOR REFERENCE.  
 5 NUMBER OF CONTACTS.

RECOMMENDED LAND PATTERN DIMENSION OF P.C.B. (MOUNTING SIDE)



TO	
PCK	

1	POLYPHENYLENE SULFIDE	LIGHT BROWN (UL94V-0)	2	PHOSPHOR BRONZE	CONTACT AREA: GOLD 0.1μm min. LEAD AREA: TIN-PLATING 1μm min. UNDER PLATING: NICKEL 1μm min.
NO.	MATERIAL	FINISH, REMARKS	NO.	MATERIAL	FINISH, REMARKS
CODE NO. (OLD)	CL		DRAWN	DESIGNED	APPROVED
			A. SUZUKAWA	H. Doi	X. Ogawa H. Okawa
			05.07.13	05-07-14	05-07-15
SCALE	FREE				
UNITS	mm				
DRAWING NO.	EDC3-152945-25		PART NO.	FX6-**P-0.8SV2(71)	
			CODE NO.	CL576	