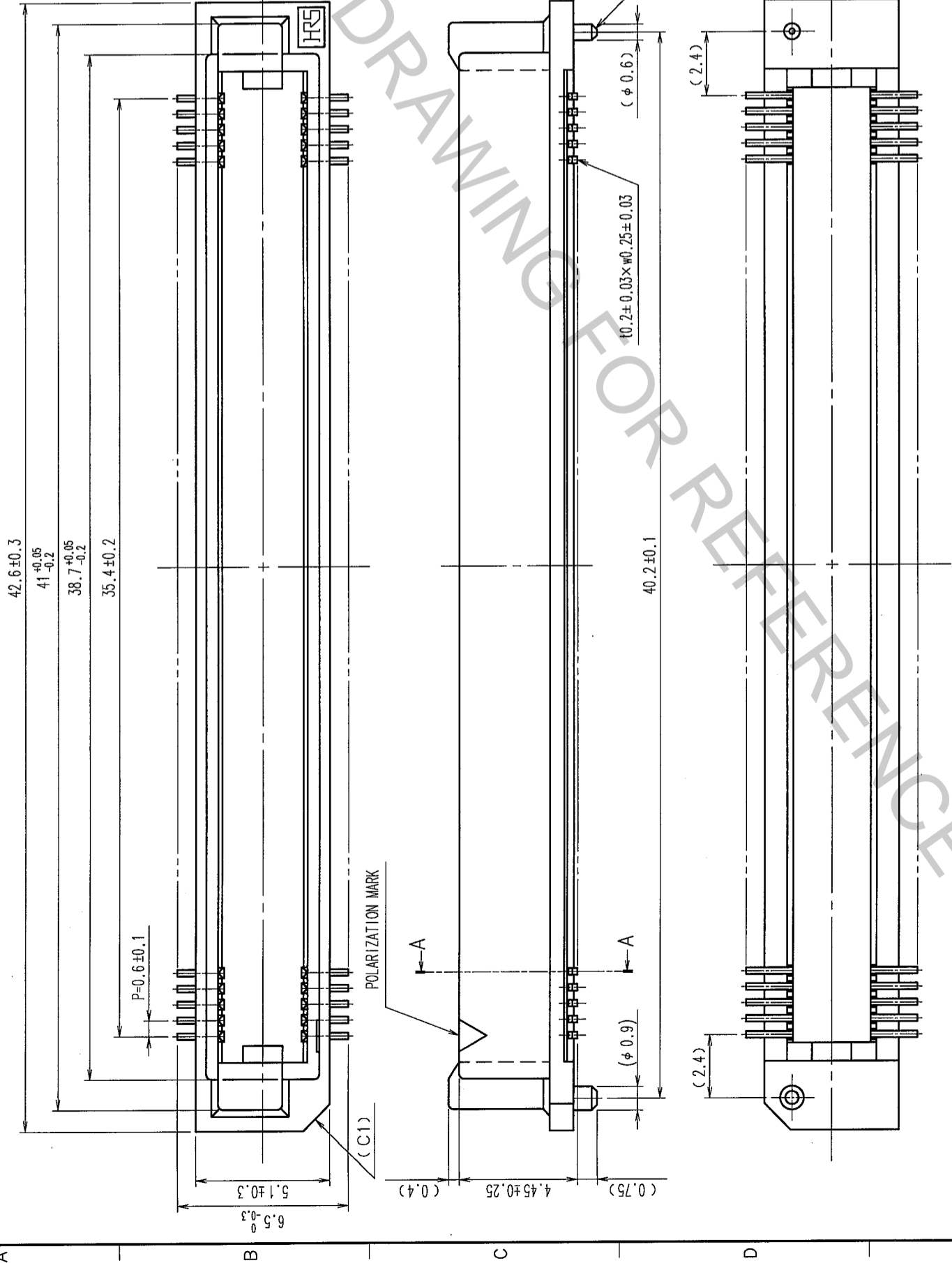


COUNT	DESCRIPTION OF REVISIONS	BY	CHKD	DATE	COUNT	DESCRIPTION OF REVISIONS	BY	CHKD	DATE
▲					▲				
▲					▲				
▲					▲				

A



A

B



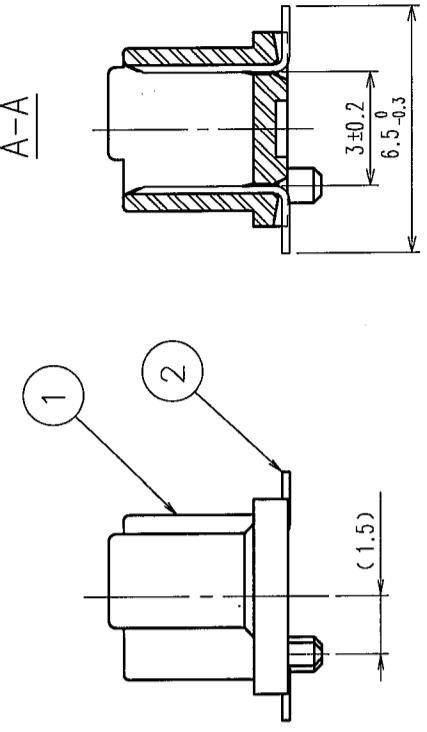
B

C



C

A-A

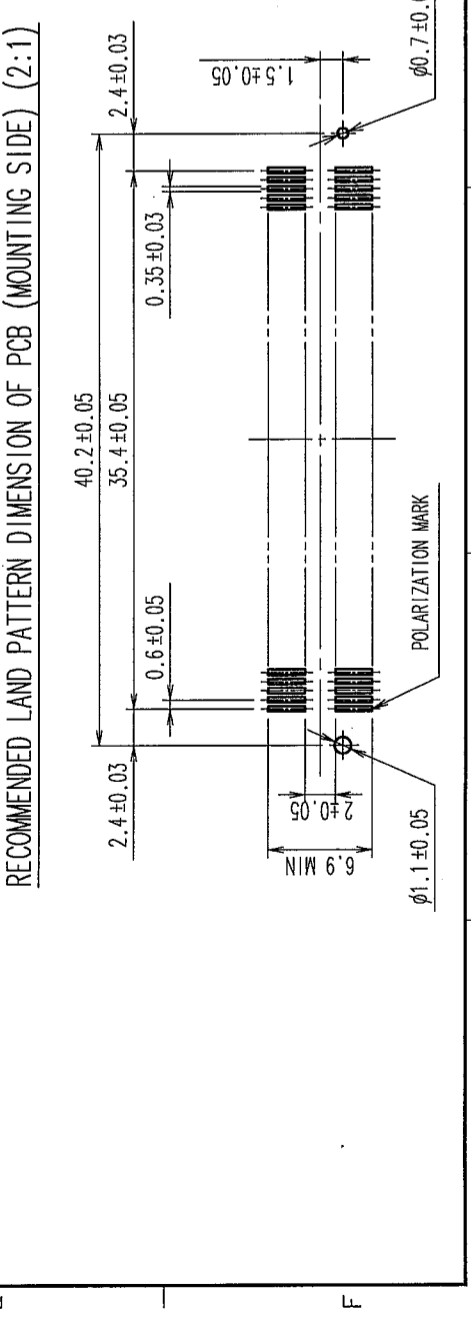


D



D

E



E

F

1	PPS	LIGHT BROWN (UL94V-0)	2	PHOSPHOR BRONZE					
NO.	MATERIAL	FINISH, REMARKS	NO.	MATERIAL	CONTACT AREA: GOLD 0.1μm min.				
CODE NO. (OLD)	CL		DESIGNED	CHECKED	LEAD AREA: GOLD FLASH				
			DRAWN	DESIGNED	UNDER PLATING: NICKEL 0.5μm min.				
			K.NAKAMURA	K.NAKAMURA	FINISH, REMARKS				
			05.12.09	05.12.09	APPROVED				
					<i>H. Okawa</i>				
					05.12.12				
					RELEASED				

F

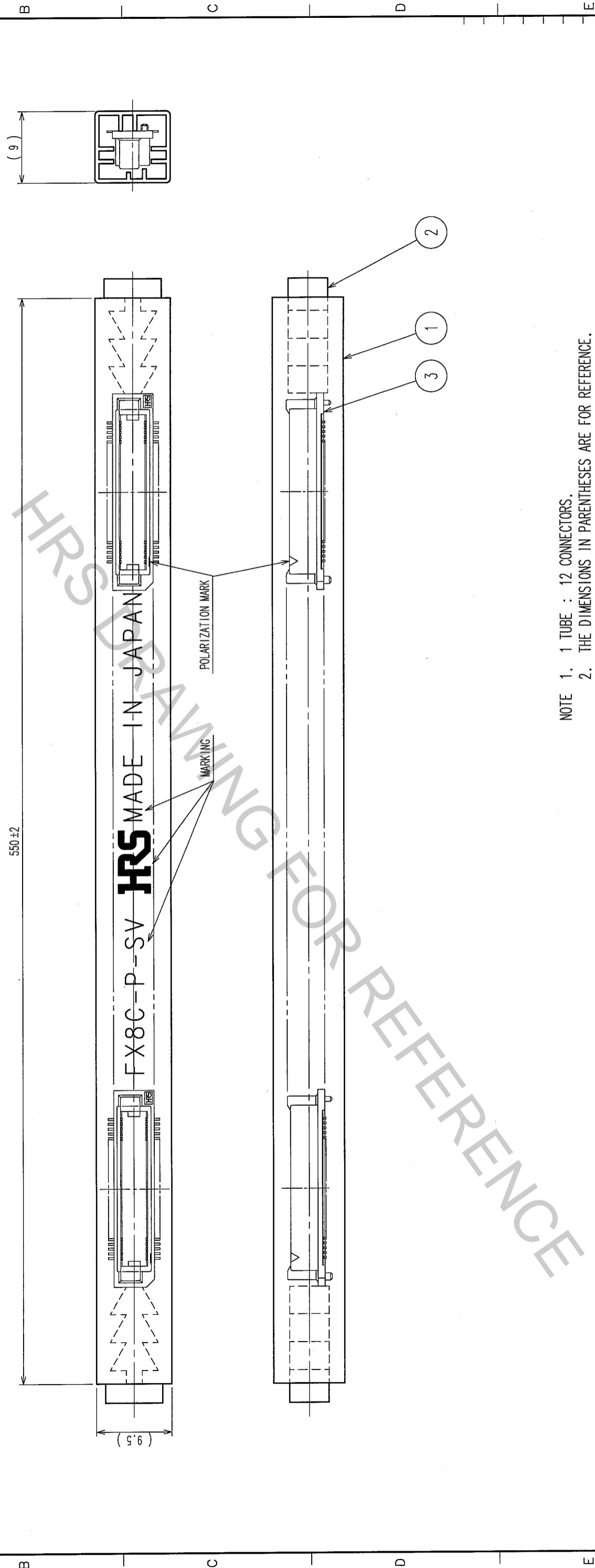
TO	
PCK	

NOTE.

1. LEAD CO-PLANARITY SHALL BE 0.1mm MAX.
2. TUBE PACKAGING SHALL BE APPLIED FOR THIS PRODUCT. SEE NEXT PAGE FOR DETAILS.
3. FOR MODIFICATION, ETC., PREVENTIVE HOLE FOR SINK MARK MAY BE ADDED ACCORDING TO CIRCUMSTANCES.
4. THE DIMENSIONS IN PARENTHESES ARE FOR REFERENCE.

HRS DRAWING FOR REFERENCE

COUNT	DESCRIPTION OF REVISIONS	BY	CHKD	DATE	COUNT	DESCRIPTION OF REVISIONS	BY	CHKD	DATE
△					△				
△					△				
△					△				



NOTE 1. 1 TUBE : 12 CONNECTORS.
 2. THE DIMENSIONS IN PARENTHESES ARE FOR REFERENCE.

2 POLYVINYL CHLORIDE (STOPPER)		3 (CONNECTOR)						
NO.	MATERIAL	FINISH, REMARKS	NO.	MATERIAL	FINISH, REMARKS			
1	POLYVINYL CHLORIDE	(TUBE)	1	POLYVINYL CHLORIDE	(TUBE)			
CODE NO. (OLD)		CL	DRAWN		DESIGNED	CHECKED	APPROVED	RELEASED
			K. NAKAMURA		K. NAKAMURA	K. Ogawa	H. Okawa	
			05.12.09		05.12.09	05.12.12	05.12.12	
DRAWING NO.		PART NO.		CODE NO.		CODE NO.		
EDC3-150824-21		FX8C-120P-SV(91)		CL578-0506-2-91				
SCALE		UNITS		HRS		HIROSE ELECTRIC CO., LTD		
FREE		ITTT						

TO	
PCK	