



**MODEL:** RC-1506S-1  
**PRODUCT:** Dynamic Receiver  
**EDITION:** A/2016

Soberton Inc.

---

## THIS SPECIFICATION COVERS OUR PRODUCT OF DYNAMIC RECEIVER UNIT FOR MOBILE TELEPHONE USE

---

### RECEIVER ELECTROACOUSTIC CHARACTERISTICS

test set up	Measuring conditions and procedures shown in Fig. 1
ac impedance	$32 \pm 20\% \Omega$ (@2KHz 1V) without baffle
sound pressure level	113 $\pm$ 3dB SPL @1.0KHz Sine Wave 179mV with IEC318(0dB SPL=20 $\mu$ Pa)
measuring condition	1mW (Sine wave) with baffle
frequency response curve	As shown in Fig. 2
rated noise power	20mW normal at a white noise (10mW, 200-3.4KHz) for one minute
short term max power	30mW
operation test	Must be of free audible noise (buzzes and rattles) (200 ~ 3.4KHz frequency range, input level up to 0.8Vrms)
distortion	Less than 10% @1KHz 179mV
dimension	15 x 6 x 5.5 mm

### GENERAL SPECIFICATIONS

operating temperature range	-20°C ~ +60°C
storage temperature range	-30°C ~ +70°C
standard test conditions	
temperature	17°C ~ 25°C
relative humidity	45% ~ 80%(RH)

### RELIABILITY TESTS

The sound pressure as specified shall neither deviate more than  $\pm 3$ dB from the initial value nor any significant damage after any of following testing.

#### HIGH TEMPERATURE TEST

high temperature	+60 $\pm$ 2°C
duration	96 hours

#### LOW TEMPERATURE TEST

low temperature	-20 $\pm$ 2°C
duration	96 hours

#### HEAT SHOCK TEST

high temperature	+60 $\pm$ 2°C
low temperature	-20 $\pm$ 2°C
changeover time	<30 seconds
duration	1 hour
cycle	100

#### HUMIDITY TEST

temperature	+ 40 $\pm$ 2°C
relative humidity	90%~95%
duration	96 hours



**MODEL:** RC-1506S-1  
**PRODUCT:** Dynamic Receiver  
**EDITION:** A/2016

**RELIABILITY TESTS** (Continued)

**TEMPERATURE CYCLE TEST**

temperature	-20°C	+60°C
duration	45minutes	45minutes
temperature gradient	1~3°C/min	
cycle	25	

**DROP TEST**

mounted with dummy set mass	100 g
height	1.5 m
cycle	6(1 each plain) Onto the concrete board

**LOAD TEST**

Speaker mode	white noise(EIA filter)for 1 hour@20mW input power
--------------	--

**MEASURING METHOD (SPEAKER MODE)**

**STANDARD**

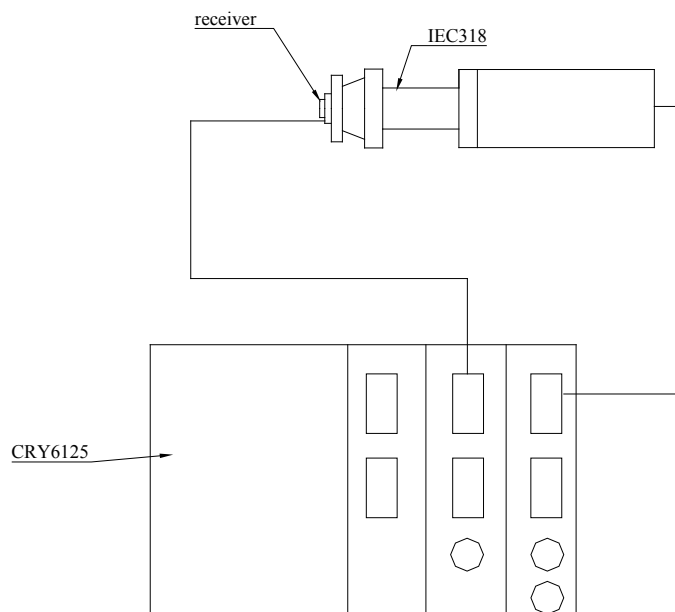
**TEST CONDITION**

temperature	15 ~ 35°C
relative humidity	45% ~ 85%
atmospheric pressure	860mbar to 1060mbar

**STANDARD TEST FIXTURE**

input power	179mW
zero level	-dB
mode	TSR
potentiometer range	50dB
sweep time	0.2sec

**FREQUENCY RESPONSE CURVE** (Fig. 1)

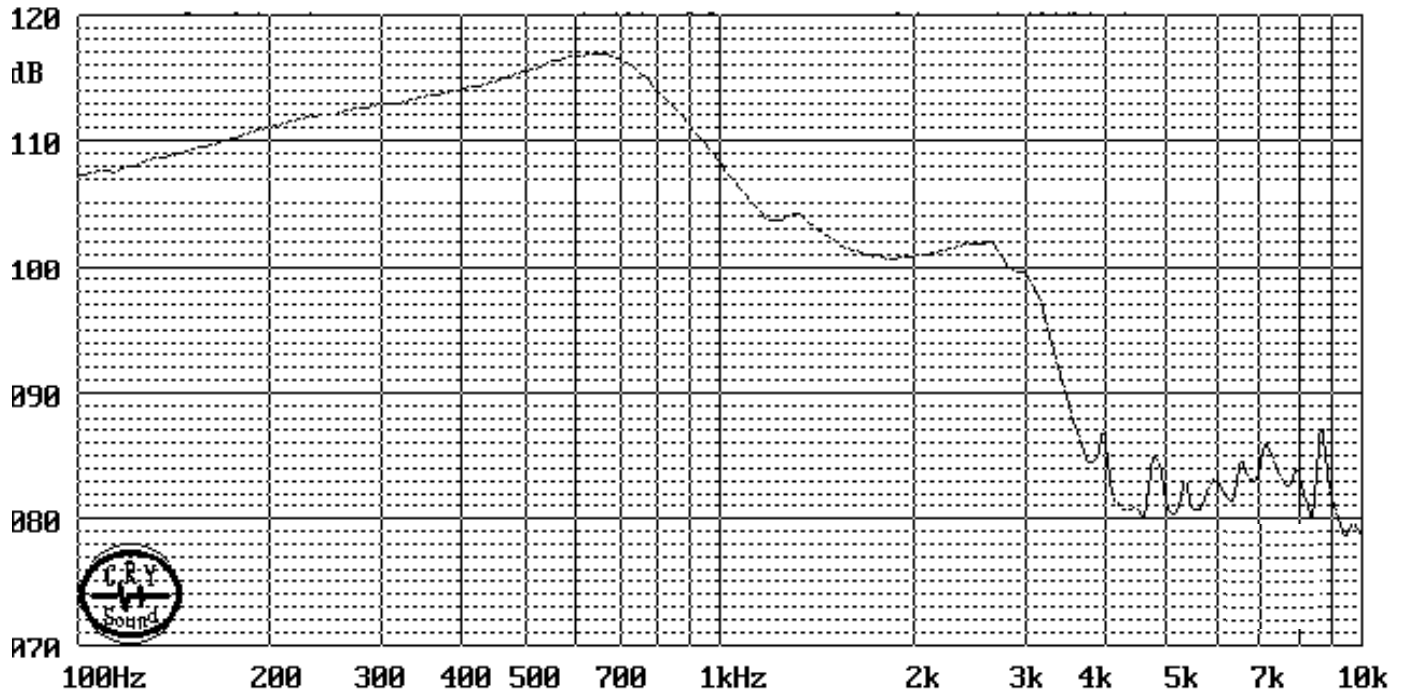




**MODEL:** RC-1506S-1  
**PRODUCT:** Dynamic Receiver  
**EDITION:** A/2016

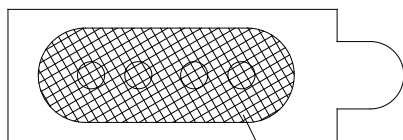
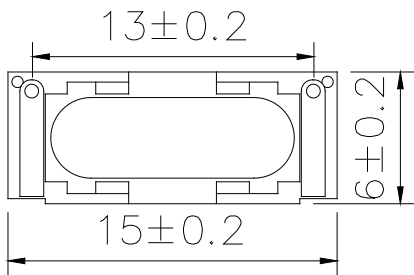
Soberton Inc.

### FREQUENCY RESPONSE CURVE

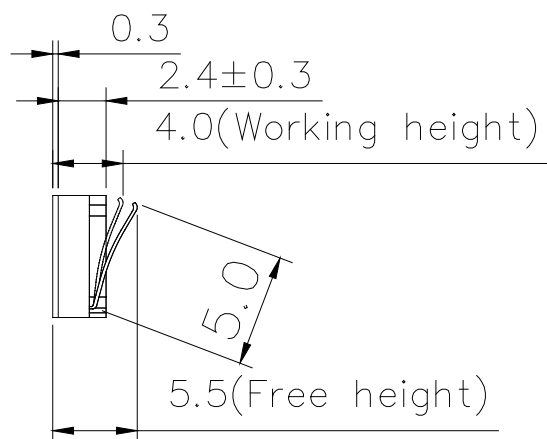


### DIMENSIONS

Tolerance:  $\pm 0.5$  (unit: mm)



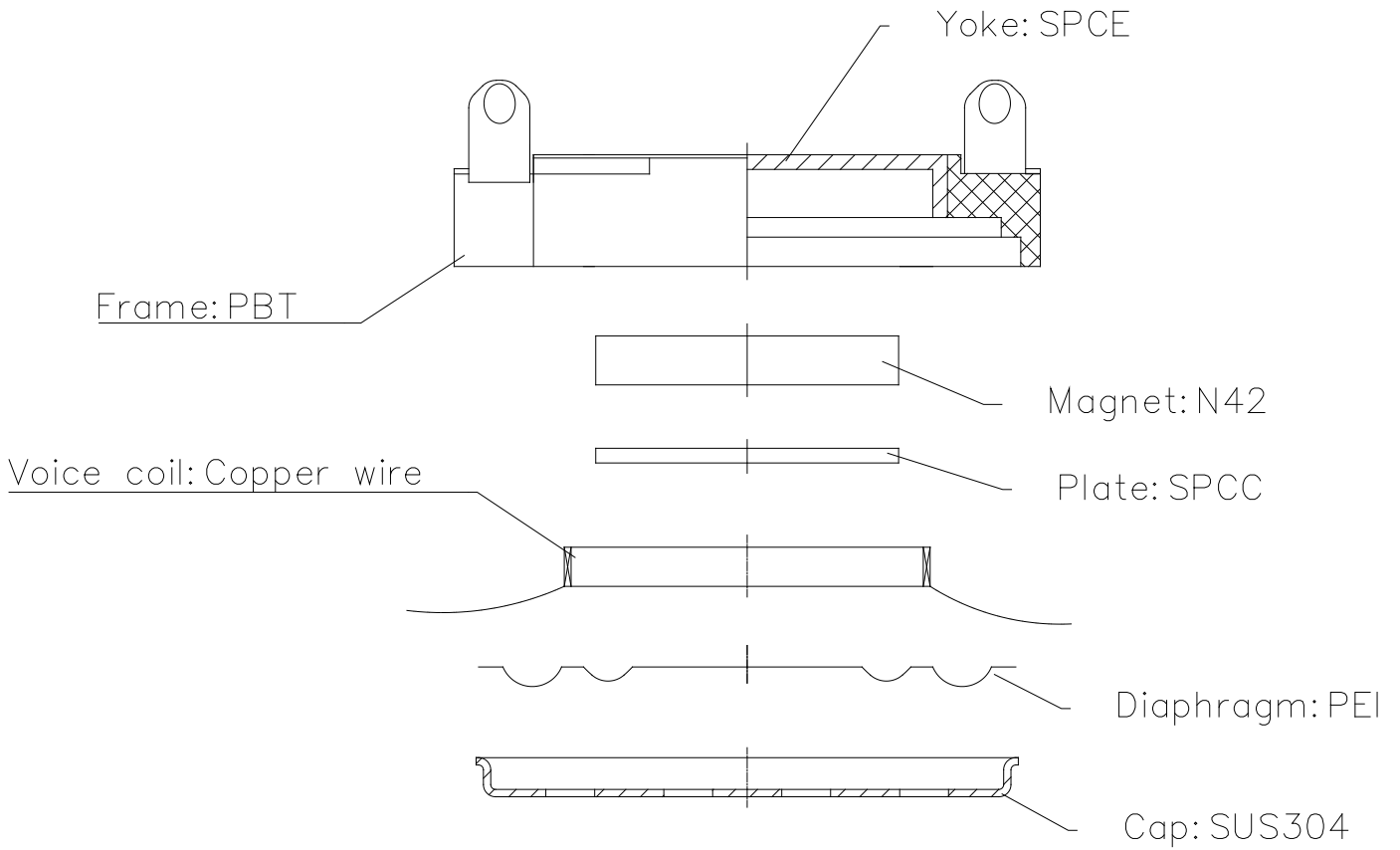
BLACK NET





**MODEL:** RC-1506S-1  
**PRODUCT:** Dynamic Receiver  
**EDITION:** A/2016

**EXPLODED VIEW**



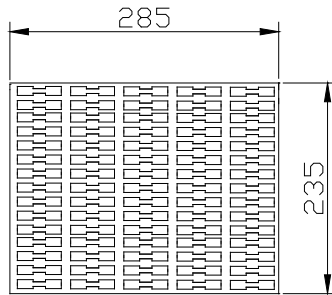
no	item	material	quantity
1	Cap	SUS 304	1
2	Diaphragm	PEI	1
3	Voice Coil	Copper wire	1
4	Plate	SPCC	1
5	Magnet	Nd Fe B	1
6	Frame	PBT	1
7	Yoke	SPCE	1
8	Front Cover	Adhesive	1



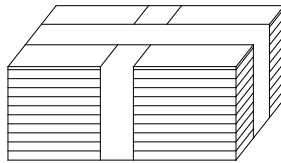
**MODEL:** RC-1506S-1  
**PRODUCT:** Dynamic Receiver  
**EDITION:** A/2016

**PACKING**

150PCS



150 X 10 = 1500 PCS



1500 X 5 = 7500 PCS

