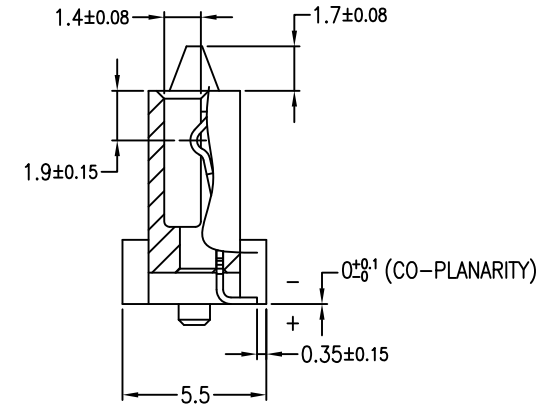
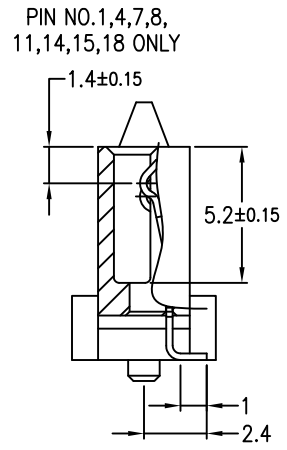
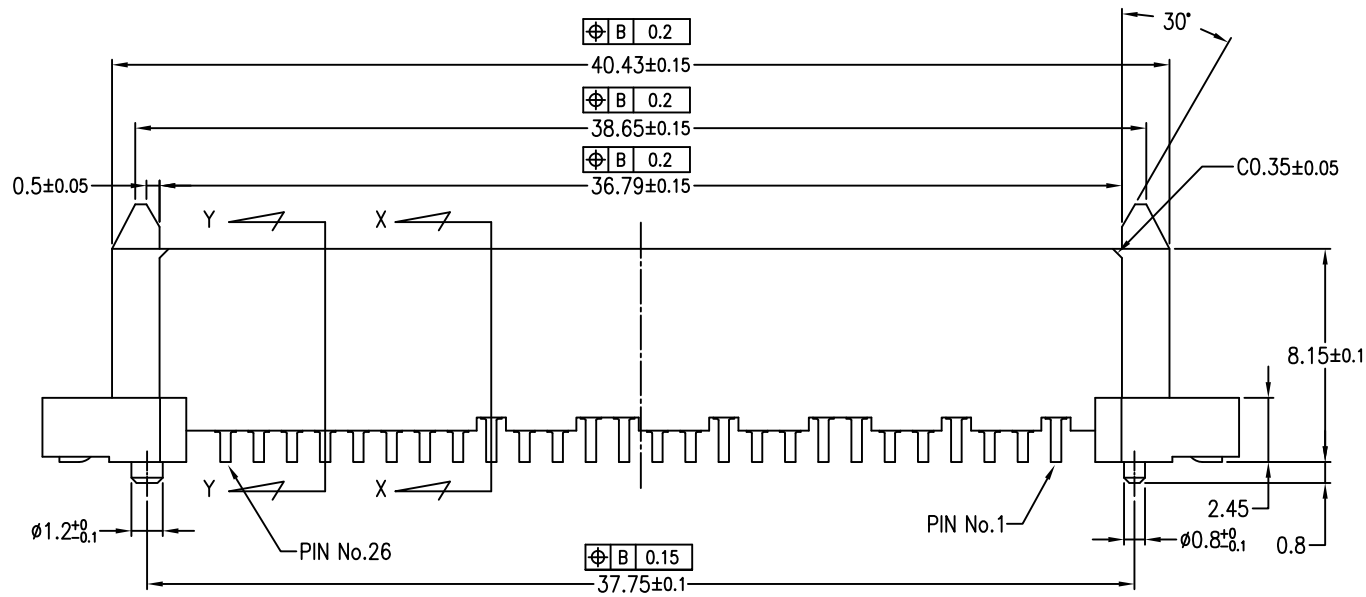
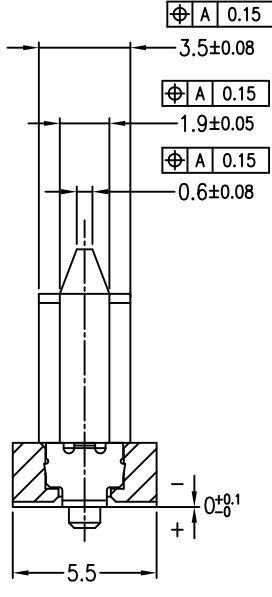
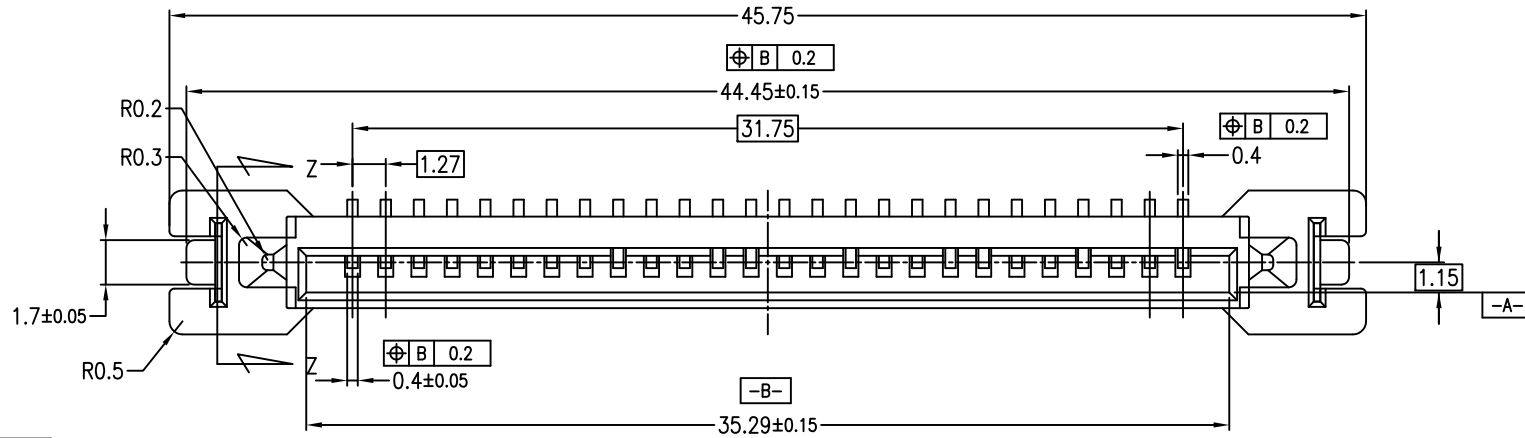


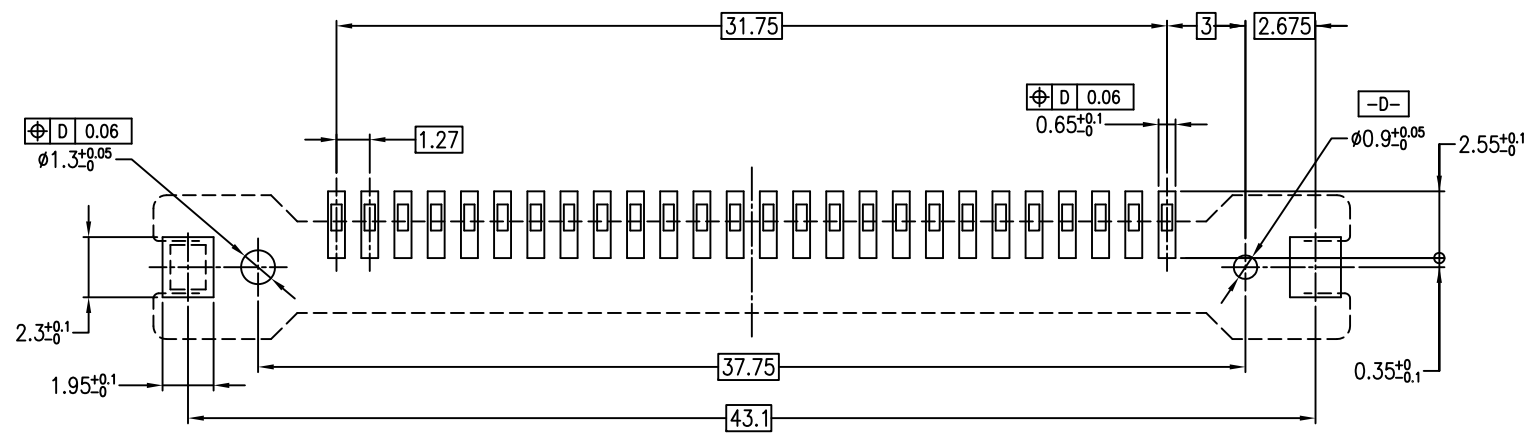
PRODUCT NO.
10034273-001LF



SECT.Z-Z

SECT.X-X

SECT.Y-Y

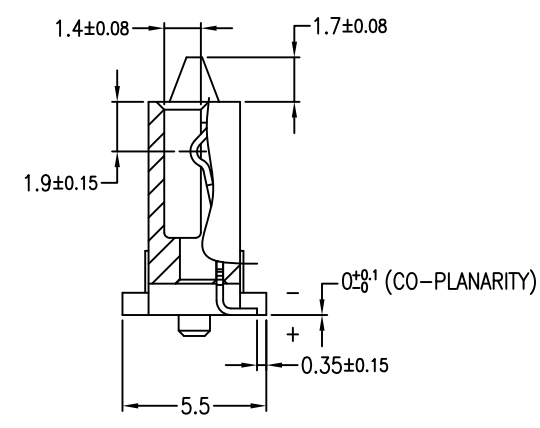
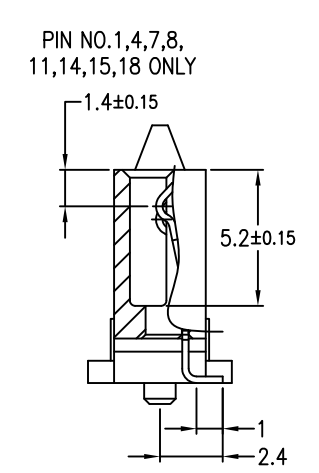
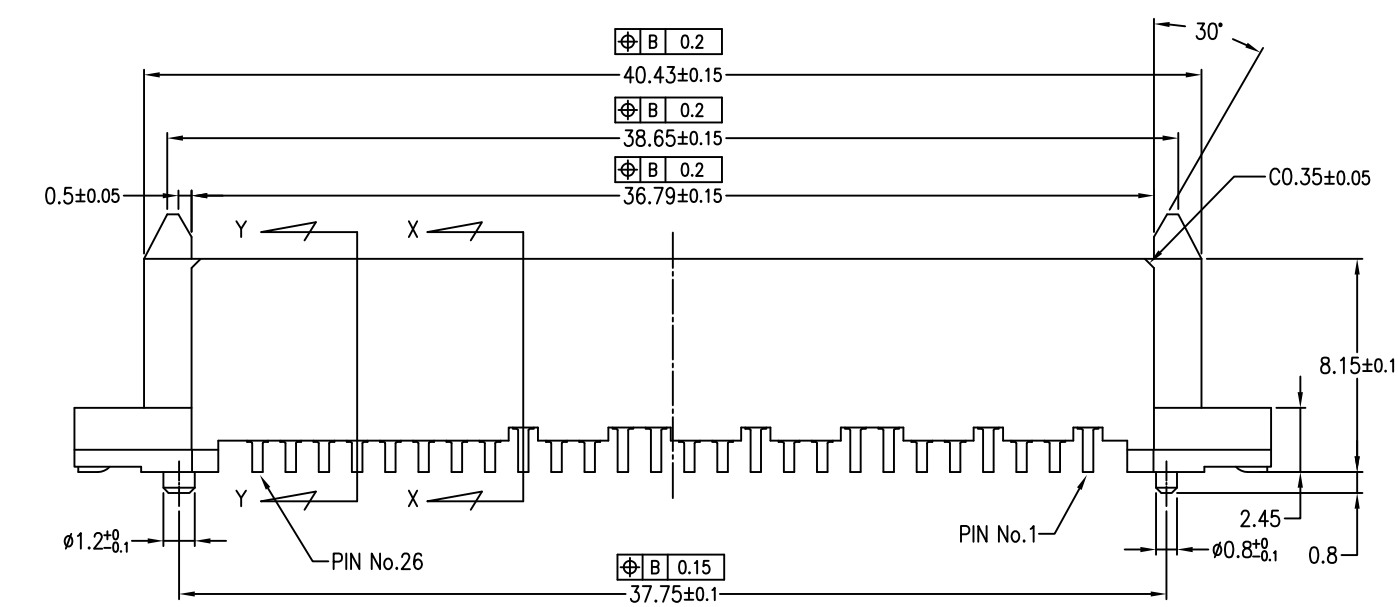
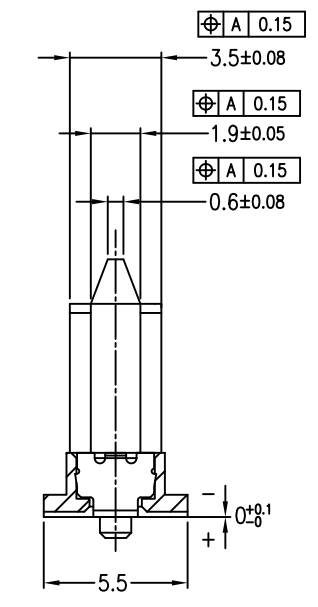
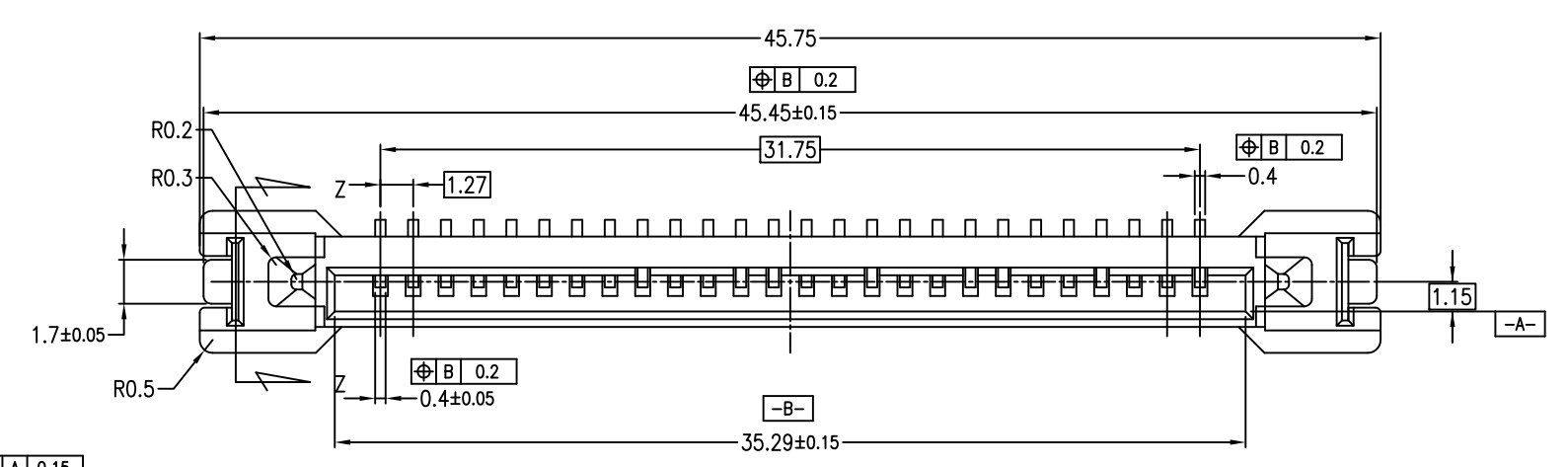


RECOMMENDED MOUNTING LAYOUT
TOLERANCE UNLESS OTHERWISE:±0.1

NOTE
1.MATERIAL
1) HOUSING : HIGH TEMPERATURE THERMOPLASTIC,BLACK, UL94V-0
2) TERMINAL : COPPER ALLOY
2.FINISH
1) TERMINAL : ALL OVER Ni 1.27μm MIN.
CONTACT POINT Au PLATING 0.3μm MIN.
SOLDER TAIL SEE TABLE
3.RoHS
THIS PRODUCT MEETS EUROPEAN UNION DIRECTIVES AND OTHER COUNTRY REGULATIONSAS DESCRIBED IN GS-22-008

mat'l. code		surface		tolerance		projection		product family		CODE	
---		ISO 1302		ISO 406 ISO 1101		MM		55SF Removable HDD		JP	
description		ecn no		dr		date		title		sheet 1 of 2 size	
A RELEASED		J05-0383		Y.K		6/23/05		ASSEMBLY		5	
B Change of P/N		J07-0464		Y.K		2007-9-13		S-iVDR COMB RECE.		A2	
C REVISED		J10-0361		Y.K		2010-12-17		SMT VERT TYPE		5	
D REVISED		EX-J-012831		Y.K		2012-09-13		10034273		5	
sheet index		revision sheet		D		D		type		Rev.	
1		1 2						Product Customer Drawing		D	

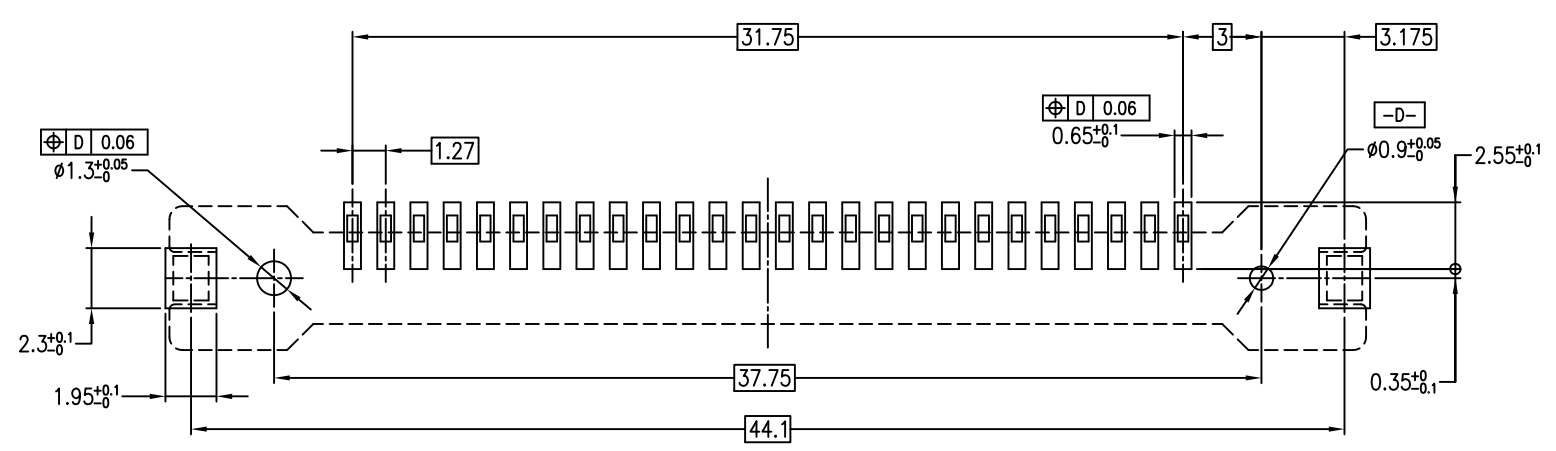
PRODUCT NO.
10034273-002LF



SECT.Z-Z

SECT.X-X

SECT.Y-Y



RECOMMENDED MOUNTING LAYOUT
TOLERANCE UNLESS OTHERWISE:±0.1

NOTE
 1.THIS PRODUCT MEETS THE iVDR-HWSPEC (2.5-inch, 1.8-inch Serial type)
 2.MATERIAL
 1) HOUSING : HIGH TEMPERATURE THERMOPLASTIC,BLACK, UL94V-0
 2) TERMINAL : COPPER ALLOY
 3.FINISH
 1) TERMINAL : ALL OVER Ni 1.27μm MIN.
 CONTACT POINT Au PLATING 0.3μm MIN.
 SOLDER TAIL SEE TABLE
 4.RoHS
 THIS PRODUCT MEETS EUROPEAN UNION DIRECTIVES AND OTHER
 COUNTRY REGULATIONSAS DESCRIBED IN GS-22-008

mat'l. code		surface		tolerance		projection		product family		CODE	
---		ISO 1302		ISO 406 ISO 1101		MM		55SF Removable HDD		JP	
ltr	description	ecn no	dr	date	tolerances unless otherwise specified	MM		title		sheet 2 of 2 size	
C	RELEASED	J10-0361	Y.K	2010-12-17	0.X ±0.3	MM		ASSEMBLY		5	
D	REVISED	EX-J-012831	Y.K	2012-09-13	0.XX ±0.3	MM		S-iVDR COMB RECE. SMT VERT TYPE		A2	
					0.XXX ±0.3	scale 5:1		dwg no		10034273	
					0°±2'			type		Product Customer Drawing	
					dr	Y.KAMEDA 2010-12-17		Rev.		D	
					enr	Y.KAMEDA 2010-12-17					
					chr	H.SUZUKI 2012-09-13					
					appd	M.KAJIURA 2012-09-13					
sheet index	revision sheet										