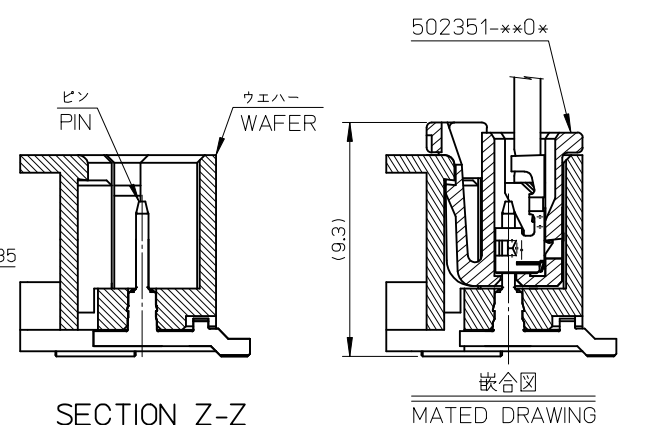
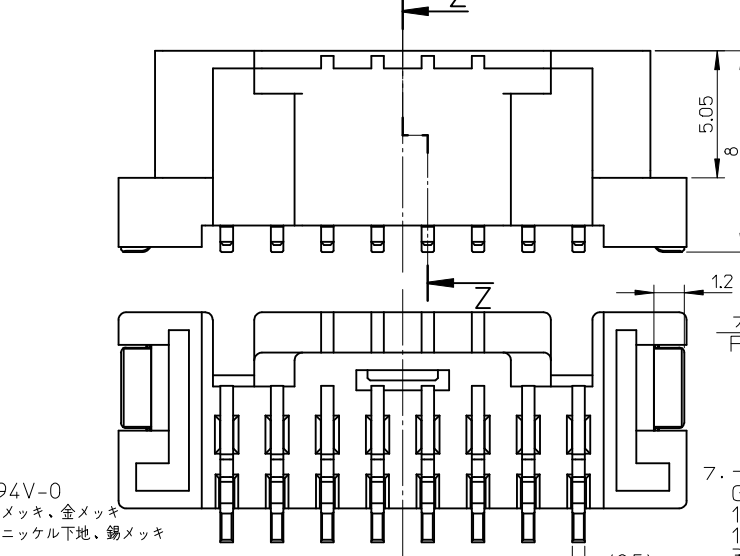


参考基板レイアウト (N=極数)
PCB PATTERN LAYOUT (N:CIRCUIT)



SECTION Z-Z

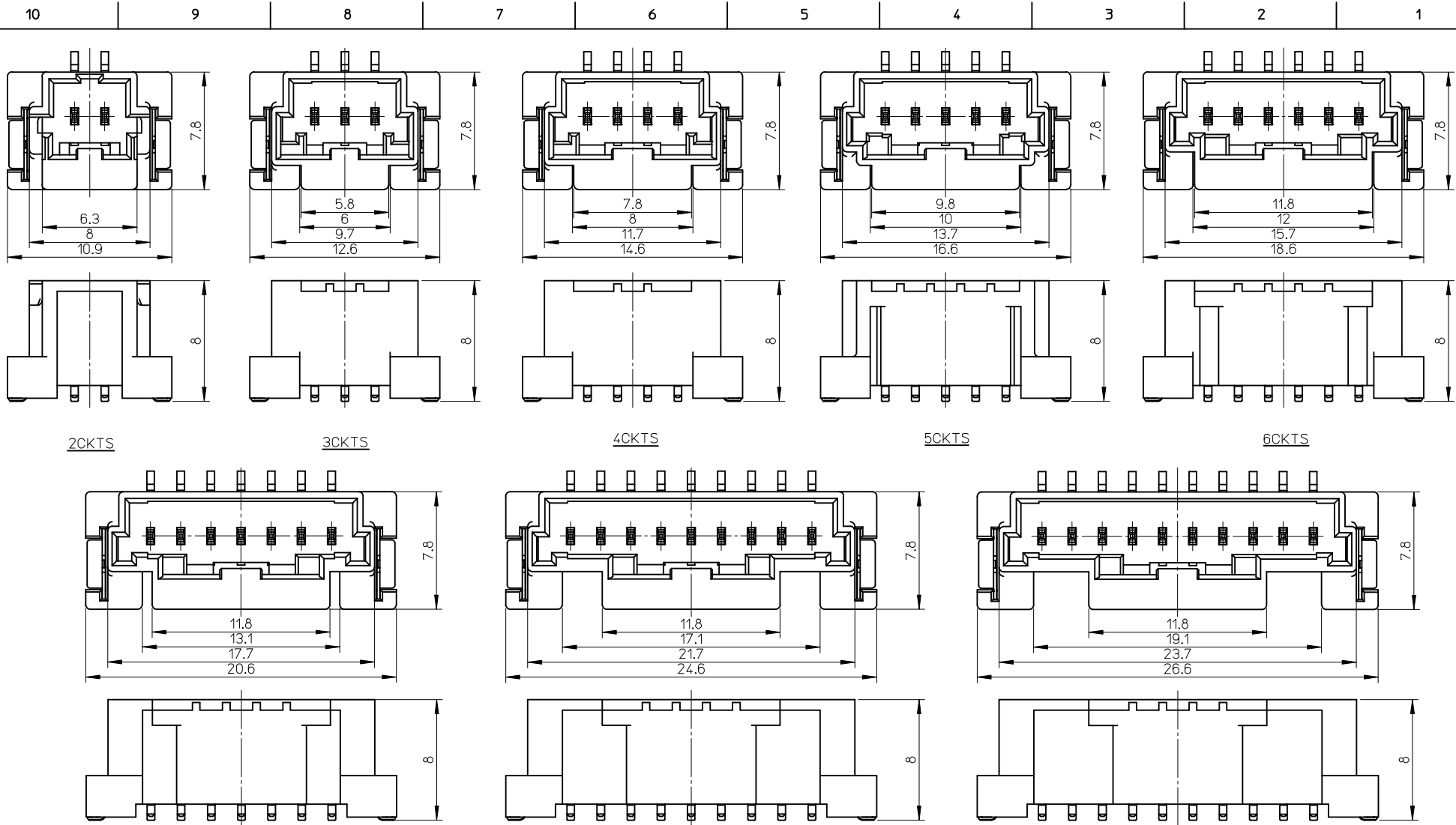
嵌合図
MATED DRAWING

注記
NOTES

- 材質
ウエハー: 耐熱性ナイロン UL94V-0
ピン: 銅合金、ニッケル下地、錫メッキ、金メッキ
フィッティングネール: 銅合金、ニッケル下地、錫メッキ
MATERIAL
WAFER: POLYAMIDE UL94V-0
PIN: COPPER ALLOY, GOLD OR TIN OVER NICKEL PLATE.
FITTING NAIL: COPPER ALLOY, TIN OVER NICKEL PLATE.
- 色: ナチュラル、黒、赤、青
COLOR: NATURAL, BLACK, RED, BLUE
- 嵌合相手:
ハウジング: 502351-xx0*
錫メッキ端子: 50212-8*00, 50372-8*00, 560085-0101
金メッキ端子: 56161-8*81
MATES WITH
HOUSING: 502351-xx0*
SN PLATING TERMINAL: 50212-8*00, 50372-8*00, 560085-0101
AU PLATING TERMINAL: 56161-8*81
- エンボス梱包品の詳細はSD-560020-002参照
DETAILED TAPING PACKAGE, SEE SD-560020-002
- ELV及びRoHS適合
ELV AND ROHS COMPLIANT
- 半田付け面のコプラナリティ: 0.1mm MAX.
CO-PLANARITY OF SOLDER TAILS TO BE 0.1mm MAX.

- 一般公差
GENERAL TOLERANCES
10 UNDER: 0.2
10 OVER 30 UNDER: 0.25
30 OVER: 0.3
ANGULAR ± 1°

REVISED EC NO: JTR2016-0015 DRW: KIKUNAGA I02 2016/03/01 CHK: D: HKOMATSU 2016/03/04 APPR: MAYAMOTO 2016/03/08	QUALITY SYMBOLS F=0 G=0 P=0	GENERAL TOLERANCES (UNLESS SPECIFIED)		DIMENSION STYLE MM ONLY	SCALE 5:1	DESIGN UNITS METRIC	THIRD ANGLE PROJECTION		
		4 PLACES ± --- ± ---	3 PLACES ± --- ± ---	mm	INCH	TITLE 2.0MM PITCH W/B CONN. WAFER ASSY ST. SMT			
		2 PLACES ± --- ± ---	1 PLACE ± --- ± ---	DRAWN BY SHSHIBATA		DATE 2009/02/18	DRAWN BY SHSHIBATA		
		0 PLACE ± --- ± ---	APPROVED BY AKANESHIGE		DATE 2009/02/18	APPROVED BY AKANESHIGE			
ANGULAR ± - °		DRAFT WHERE APPLICABLE MUST REMAIN WITHIN DIMENSIONS		MATERIAL NO. SEE CHART		DOCUMENT NO. SD-560020-001	SHEET NO. 1 OF 4		
THIS DRAWING CONTAINS INFORMATION THAT IS PROPRIETARY TO MOLEX INCORPORATED AND SHOULD NOT BE USED WITHOUT WRITTEN PERMISSION									



20KTS

30KTS

40KTS

50KTS

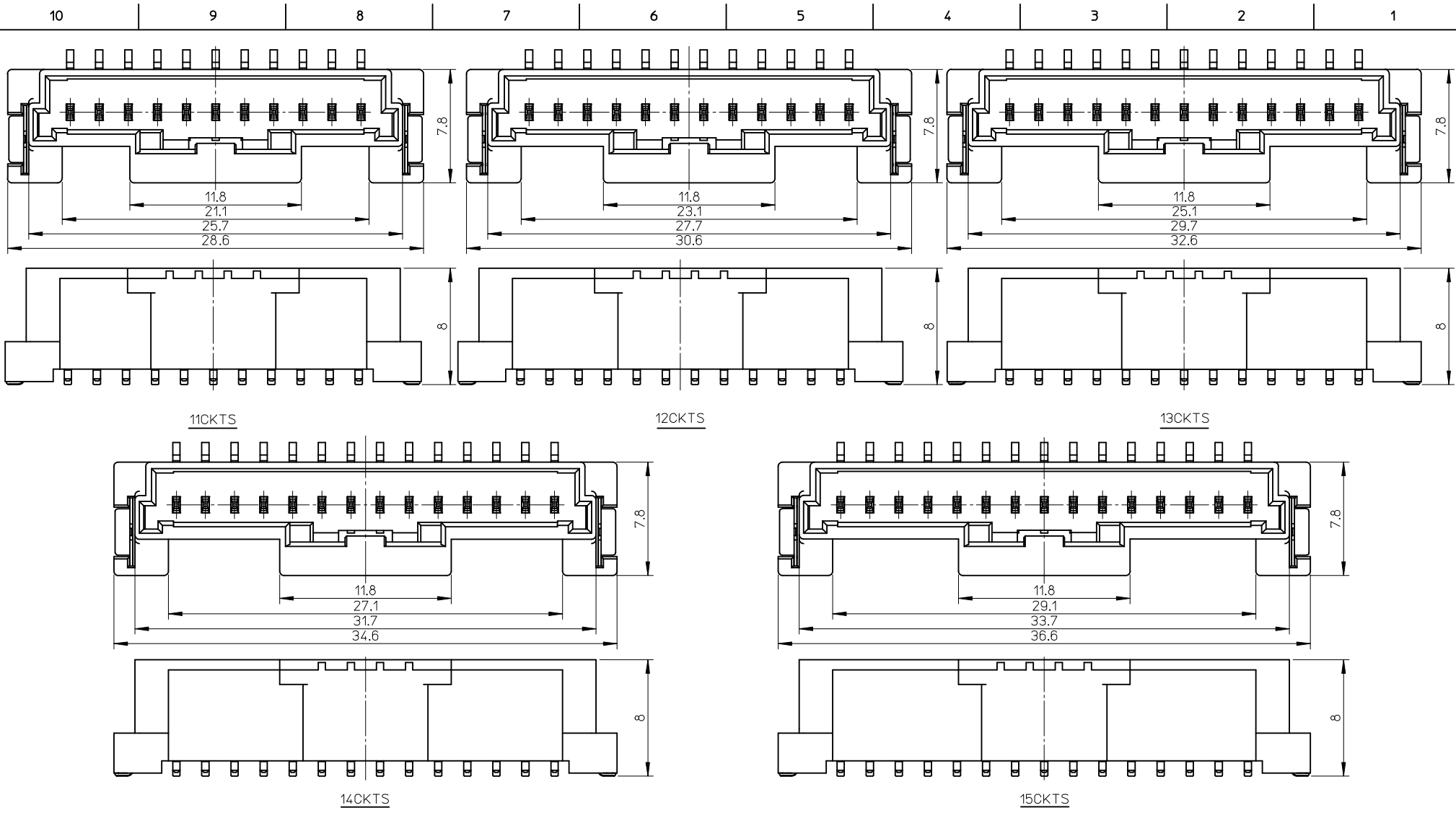
60KTS

70KTS

90KTS

100KTS

REVISED EC NO: JTR2016-0015 G DRW:KAKAGAI02 2016/03/01 CHY:DHKOMATSU 2016/03/04 APPR:KAYAMAMOTO 2016/03/08	QUALITY SYMBOLS $\nabla = 0$ $\nabla = 0$ $\nabla = 0$	GENERAL TOLERANCES (UNLESS SPECIFIED)		DIMENSION STYLE MM ONLY	SCALE 4:1	DESIGN UNITS METRIC	THIRD ANGLE PROJECTION		
		4 PLACES \pm --- \pm --- 3 PLACES \pm --- \pm --- 2 PLACES \pm --- \pm --- 1 PLACE \pm --- \pm --- 0 PLACE \pm --- \pm ---	mm INCH	DRAWN BY SHSHIBATA	DATE 2009/02/18	TITLE 2.0MM PITCH W/B CONN. WAFER ASSY ST. SMT			
		ANGULAR \pm - °		CHECKED BY HKOMATSU	DATE 2009/02/18	molex			
		DRAFT WHERE APPLICABLE MUST REMAIN WITHIN DIMENSIONS		APPROVED BY AKANESHIGE	DATE 2009/02/18	MATERIAL NO.	DOCUMENT NO. SD-560020-001	SHEET NO. 2 OF 4	
SEE CHART		THIS DRAWING CONTAINS INFORMATION THAT IS PROPRIETARY TO MOLEX INCORPORATED AND SHOULD NOT BE USED WITHOUT WRITTEN PERMISSION							



REVISED EC NO: JTR2016-0015 G DRW:KNAGA I02 2016/03/01 CHKD:HKOMATSU 2016/03/04 APPR:MIYAMOTO 2016/03/08	QUALITY SYMBOLS ∇ = 0 ∇ = 0 ∇ = 0	GENERAL TOLERANCES (UNLESS SPECIFIED)		DIMENSION STYLE MM ONLY	SCALE 4:1	DESIGN UNITS METRIC	THIRD ANGLE PROJECTION																	
		<table border="1"> <thead> <tr> <th></th> <th>mm</th> <th>INCH</th> </tr> </thead> <tbody> <tr> <td>4 PLACES</td> <td>± ---</td> <td>± ---</td> </tr> <tr> <td>3 PLACES</td> <td>± ---</td> <td>± ---</td> </tr> <tr> <td>2 PLACES</td> <td>± ---</td> <td>± ---</td> </tr> <tr> <td>1 PLACE</td> <td>± ---</td> <td>± ---</td> </tr> <tr> <td>0 PLACE</td> <td>± ---</td> <td>± ---</td> </tr> </tbody> </table>		mm	INCH	4 PLACES	± ---	± ---	3 PLACES	± ---	± ---	2 PLACES	± ---	± ---	1 PLACE	± ---	± ---	0 PLACE	± ---	± ---	DRAWN BY SHSHIBATA	DATE 2009/02/18	TITLE 2.0MM PITCH W/B CONN. WAFER ASSY ST. SMT	
			mm	INCH																				
		4 PLACES	± ---	± ---																				
3 PLACES	± ---	± ---																						
2 PLACES	± ---	± ---																						
1 PLACE	± ---	± ---																						
0 PLACE	± ---	± ---																						
DRAFT WHERE APPLICABLE MUST REMAIN WITHIN DIMENSIONS	SEE CHART	CHECKED BY HKOMATSU	DATE 2009/02/18	molex																				
MATERIAL NO.	DOCUMENT NO. SD-560020-001	APPROVED BY AKANESHIGE	DATE 2009/02/18	SHEET NO. 3 OF 4																				

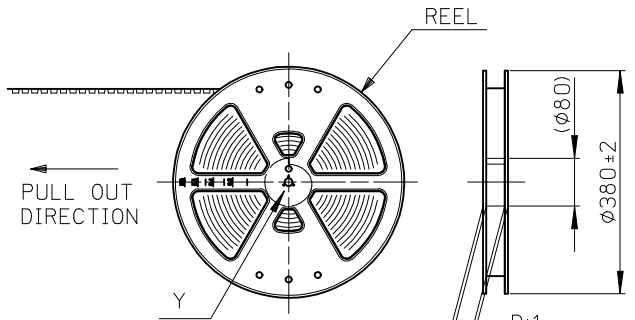
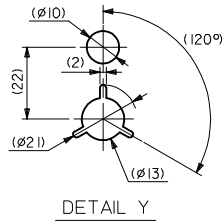
	10	9	8	7	6	5	4	3	2	1				
F	Sn NATURAL	11.8	29.1	33.7	36.6	560020-1520	15	Au NATURAL	11.8	29.1	33.7	36.6	560020-1530	15
		11.8	27.1	31.7	34.6	560020-1420	14		11.8	27.1	31.7	34.6	560020-1430	14
		11.8	25.1	29.7	32.6	560020-1320	13		11.8	25.1	29.7	32.6	560020-1330	13
		11.8	23.1	27.7	30.6	560020-1220	12		11.8	23.1	27.7	30.6	560020-1230	12
		11.8	21.1	25.7	28.6	560020-1120	11		11.8	21.1	25.7	28.6	560020-1130	11
		11.8	19.1	23.7	26.6	560020-1020	10		11.8	19.1	23.7	26.6	560020-1030	10
		11.8	17.1	21.7	24.6	560020-0920	9		11.8	17.1	21.7	24.6	560020-0930	9
		11.8	15.1	19.7	22.6	560020-0800/-0820	8		11.8	15.1	19.7	22.6	560020-0830	8
		11.8	13.1	17.7	20.6	560020-0700/-0720	7		11.8	13.1	17.7	20.6	560020-0730	7
		11.8	12	15.7	18.6	560020-0600/-0620	6		11.8	12	15.7	18.6	560020-0630	6
E	PLATING	9.8	10	13.7	16.6	560020-0500/-0520	5	PLATING	9.8	10	13.7	16.6	560020-0530	5
		7.8	8	11.7	14.6	560020-0400/-0420	4		7.8	8	11.7	14.6	560020-0430	4
		5.8	6	9.7	12.6	560020-0300/-0320	3		5.8	6	9.7	12.6	560020-0330	3
		6.3	/	8.0	10.9	560020-0200/-0220	2		6.3	/	8.0	10.9	560020-0230	2
	D	C	B	A	EMBOSSED PACKAGE ORDER NO.	CKTS		D	C	B	A	EMBOSSED PACKAGE ORDER NO.	CKTS	
CONNECTOR SERIES NO. 560020-**08							CONNECTOR SERIES NO. 560020-**18							

D	Sn BLACK	/	/	/	/	15	
		/	/	/	/	14	
		/	/	/	/	13	
		/	/	/	/	12	
		/	/	/	/	11	
		/	/	/	/	10	
		11.8	15.1	19.7	22.6	560020-0821	8
		/	/	/	/	7	
		11.8	12	15.7	18.6	560020-0621	6
		/	/	/	/	5	
C	PLATING	7.8	8	11.7	14.6	560020-0421	4
		5.8	6	9.7	12.6	560020-0321	3
		6.3	/	8.0	10.9	560020-0221	2
		D	C	B	A	EMBOSSED PACKAGE ORDER NO.	CKTS
CONNECTOR SERIES NO. 560020-**28							

D	Sn RED	/	/	/	/	15	
		/	/	/	/	14	
		/	/	/	/	13	
		/	/	/	/	12	
		/	/	/	/	11	
		/	/	/	/	10	
		11.8	15.1	19.7	22.6	560020-0822	8
		/	/	/	/	7	
		11.8	12	15.7	18.6	560020-0622	6
		/	/	/	/	5	
C	PLATING	7.8	8	11.7	14.6	560020-0422	4
		5.8	6	9.7	12.6	560020-0322	3
		6.3	/	8.0	10.9	560020-0222	2
		D	C	B	A	EMBOSSED PACKAGE ORDER NO.	CKTS
CONNECTOR SERIES NO. 560020-**48							

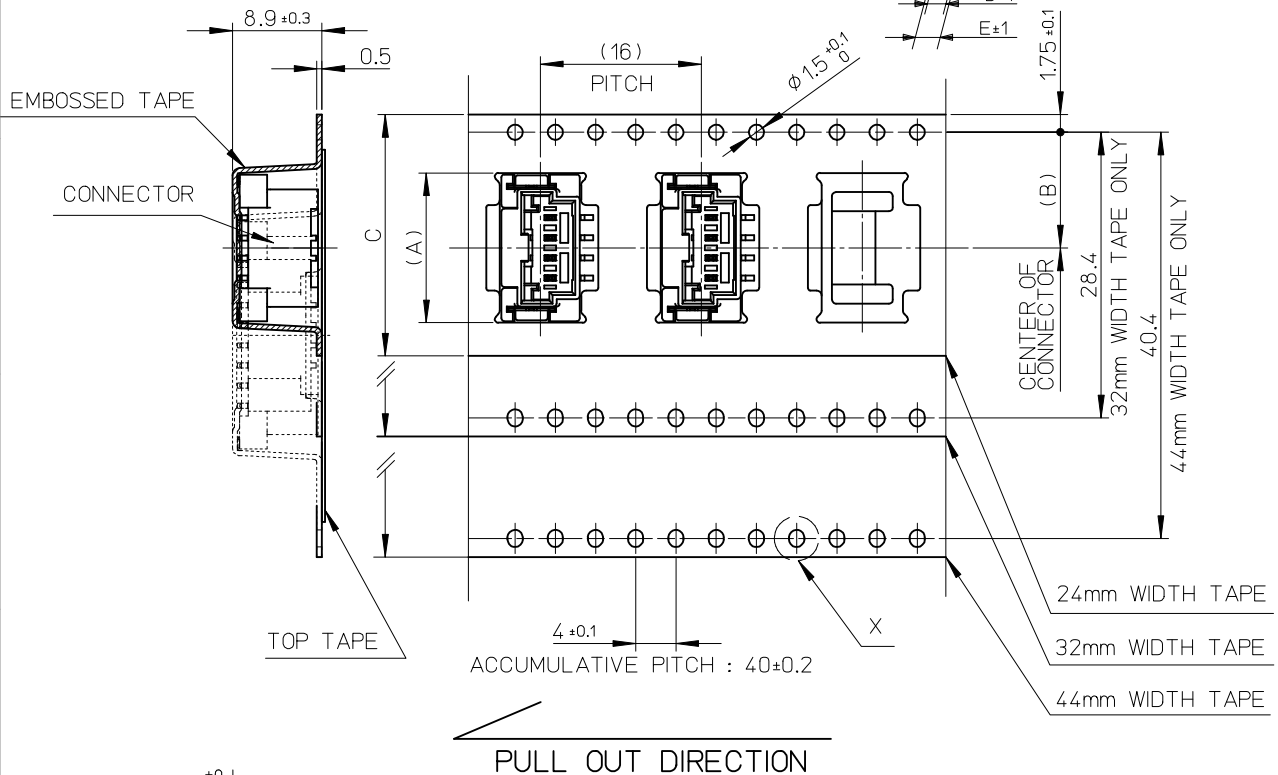
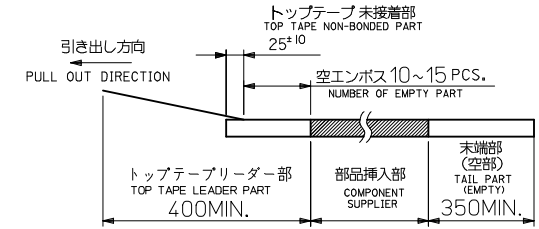
D	Sn BLUE	/	/	/	/	15	
		/	/	/	/	14	
		/	/	/	/	13	
		/	/	/	/	12	
		/	/	/	/	11	
		/	/	/	/	10	
		11.8	15.1	19.7	22.6	560020-0823	8
		/	/	/	/	7	
		11.8	12	15.7	18.6	560020-0623	6
		/	/	/	/	5	
C	PLATING	7.8	8	11.7	14.6	560020-0423	4
		5.8	6	9.7	12.6	560020-0323	3
		6.3	/	8.0	10.9	560020-0223	2
		D	C	B	A	EMBOSSED PACKAGE ORDER NO.	CKTS
CONNECTOR SERIES NO. 560020-**68							

REVISED	EC NO: JTR2016-0015	QUALITY SYMBOLS	GENERAL TOLERANCES (UNLESS SPECIFIED)	DIMENSION STYLE MM ONLY	SCALE 5:1	DESIGN UNITS METRIC	THIRD ANGLE PROJECTION				
	DRINKNAGA I02 2016/03/01							4 PLACES ± --- ± ---	DRAWN BY	DATE	TITLE 2.0MM PITCH W/B CONN. WAFER ASSY ST. SMT
	CHKD:HKOMATSU 2016/03/04							3 PLACES ± --- ± ---	SHSHIBATA	2009/02/18	
	APPR: MAYAMOTO 2016/03/08							2 PLACES ± --- ± ---	CHKED BY	DATE	
0 PLACE ± --- ± ---	APPROVED BY	DATE									
			ANGULAR ± - °								
			DRAFT WHERE APPLICABLE MUST REMAIN WITHIN DIMENSIONS	SEE CHART							
				SIZE A3	THIS DRAWING CONTAINS INFORMATION THAT IS PROPRIETARY TO MOLEX INCORPORATED AND SHOULD NOT BE USED WITHOUT WRITTEN PERMISSION						
						DOCUMENT NO. SD-560020-001	SHEET NO. 4 OF 4				



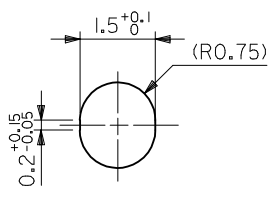
NOTES

- 製品番号: 560020-***0 詳細寸法については、製品単体図面を参照ください。
PART NO. 560020-***0 SEE SALES DRAWING FOR CONNECTOR
- 梱包数量: 650個/REEL
NUMBER OF CONNECTORS 650 PCS/REEL
- リードテープ長さ
LEAD TAPE LENGTH



- 材料
MATERIAL
キャリアテープ: ポリスチレン
CARRIER TAPE: POLYSTYRENE
トップテープ: PET, PE, PEF
TOP TAPE
リール: ポリスチレン
REEL: POLYSTYRENE

49.4	45.4	44	20.2	22.9	560020-0800	08
				20.9	560020-0700	07
37.4	33.4	32	14.2	18.9	560020-0600	06
				16.9	560020-0500	05
				14.9	560020-0400	04
29.4	25.4	24	11.5	12.9	560020-0300	03
				11.2	560020-0200	02
E	D	C	(B)	(A)	エンボス梱包品 製品番号 MATERIAL NO.	CIRCUITS



DETAIL X
(SCALE 10:1)

REVISED EC NO: JTR2014-0066 DRWN:YTAMAKI 2014/01/15 CHKD:HKOMATSU 2014/01/15 APPR: MAYAMOTO 2014/02/24	GENERAL TOLERANCES (UNLESS SPECIFIED)		DIMENSION STYLE MM ONLY		SCALE 2:1	DESIGN UNITS METRIC	THIRD ANGLE PROJECTION
	10 UNDER	±0.2	DRAWN BY YTAMAKI	DATE 2012/02/29	TITLE 2.0MM PITCH W/B ST. WAFER ASSY EMBOSSSED TAPE PACKAGE		
	10 OVER 30 UNDER	±0.25	CHECKED BY HKOMATSU	DATE 2012/02/29			
	30 OVER	±0.3	APPROVED BY MAYAMOTO	DATE 2012/03/01			
ANGULAR ±1°		MATERIAL NO. SEE CHART		DOCUMENT NO. SD-560020-002	SHEET NO. 1 OF 1		
DRAFT WHERE APPLICABLE MUST REMAIN WITHIN DIMENSIONS		THIS DRAWING CONTAINS INFORMATION THAT IS PROPRIETARY TO MOLEX INCORPORATED AND SHOULD NOT BE USED WITHOUT WRITTEN PERMISSION					