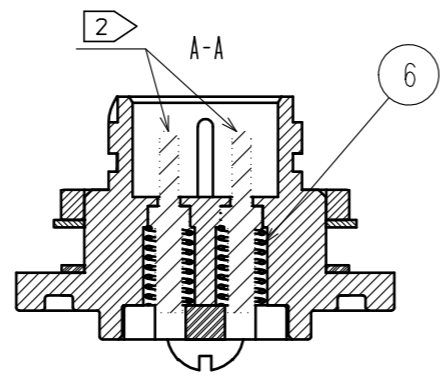
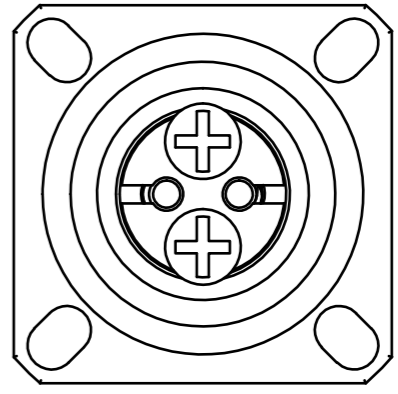
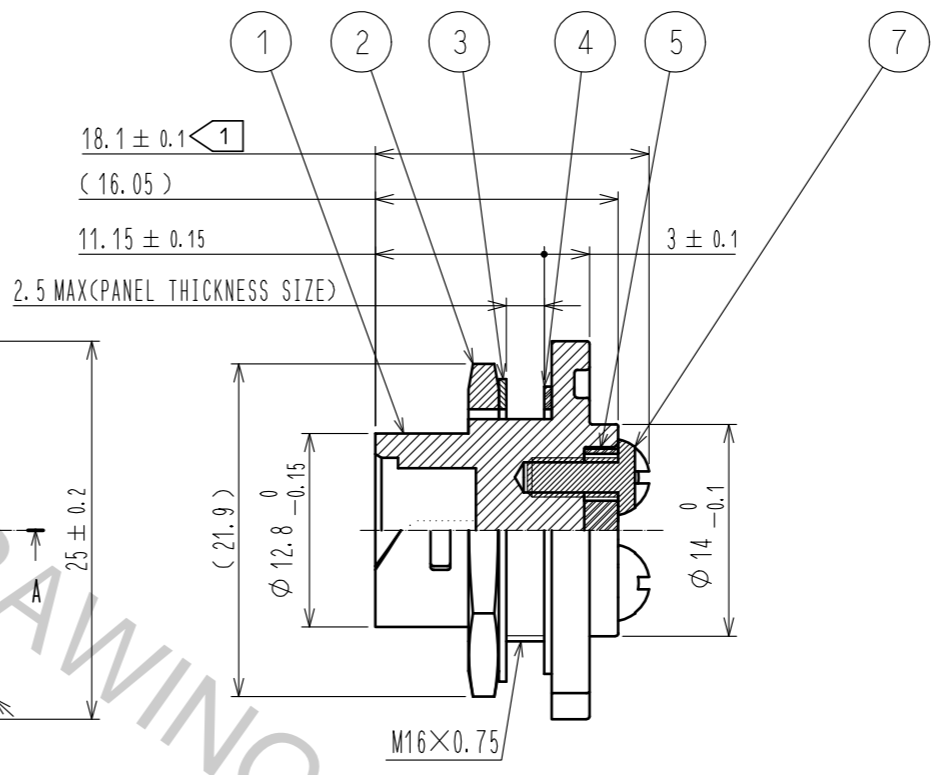
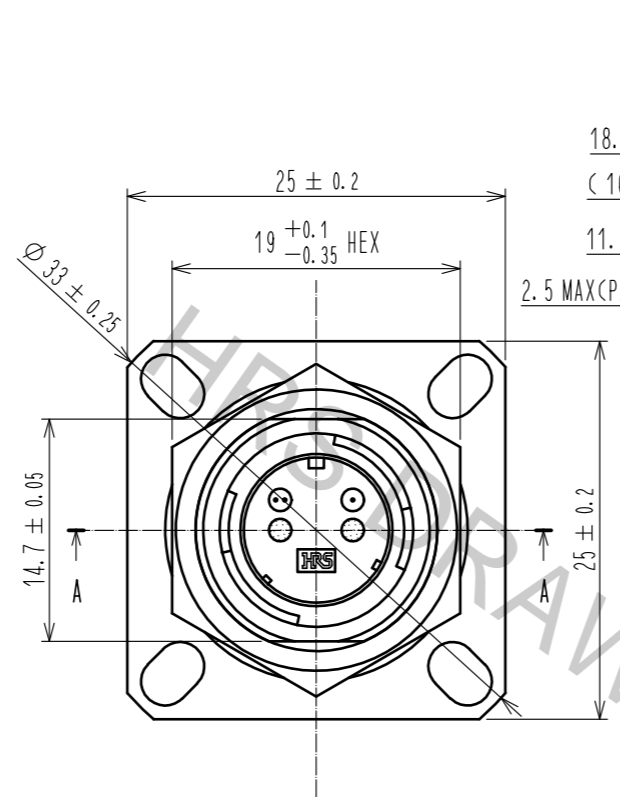
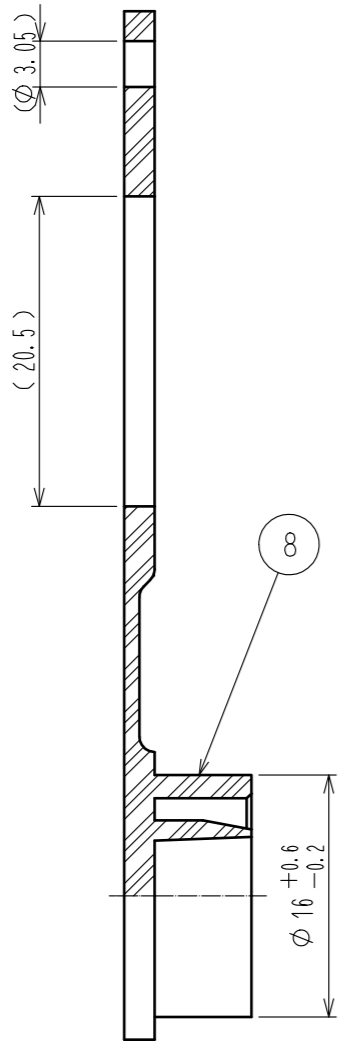
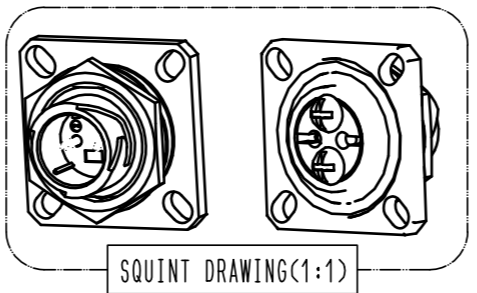
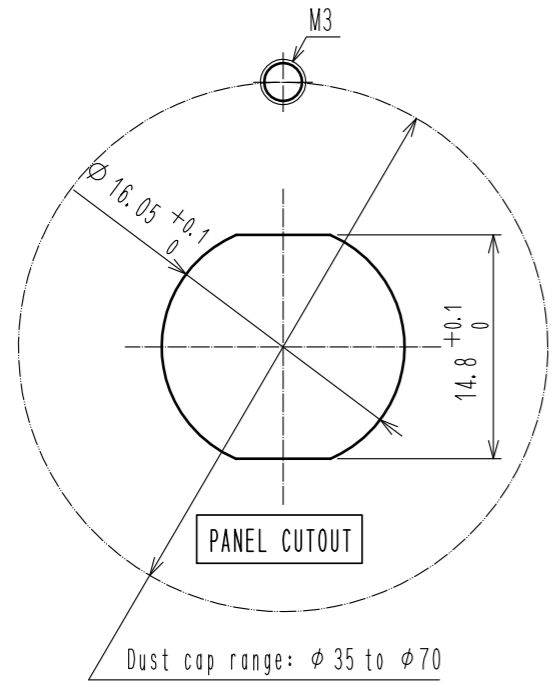


Aug.1.2018 Copyright 2018 HIROSE ELECTRIC CO., LTD. All Rights Reserved.
 In case that the application demands a high level of reliability, such as automotive,
 please contact a company representative for further information.



注 ① THESE DIMENSIONS INDICATE THE CONDITION AFTER CABLE ASSEMBLY.
 ② FERRULES ARE NOT INCLUDED IN THIS PRODUCT. MU FERRULES ARE SEPARATELY AVAILABLE.
 ③. RECOMMENDED TIGHTENING TORQUE IS 3.0N · m OF REF. 2.



4	SYNTHETIC RUBBER		8	SYNTHETIC RUBBER	
3	BRASS	CHROME PLATING (BLACK)	7	STAINLESS STEELS	
2	BRASS	CHROME PLATING (BLACK)	6	PIANO WIRE	ZINC PLATING + BAKING
1	ZINC DIE CASTING	CHROME PLATING (BLACK)	5	SYNTHETIC RESIN	
NO.	MATERIAL	FINISH . REMARKS	NO.	MATERIAL	FINISH . REMARKS
UNITS		SCALE	COUNT	DESCRIPTION OF REVISIONS	
mm		2 : 1		DESIGNED	CHECKED
HRS HIROSE ELECTRIC CO., LTD.		APPROVED : MT. SHIBUTANI	18.02.02	DRAWING NO. EDC-177311-31-00	
		CHECKED : FS. YOSHIDA	18.02.02	PART NO. MF10B-WRBH01-0200(31)	
		DESIGNED : TY. SATO	18.02.02	CODE NO. CL709-1025-1-31	
		DRAWN : MK. INOUE	18.02.02	1/1	