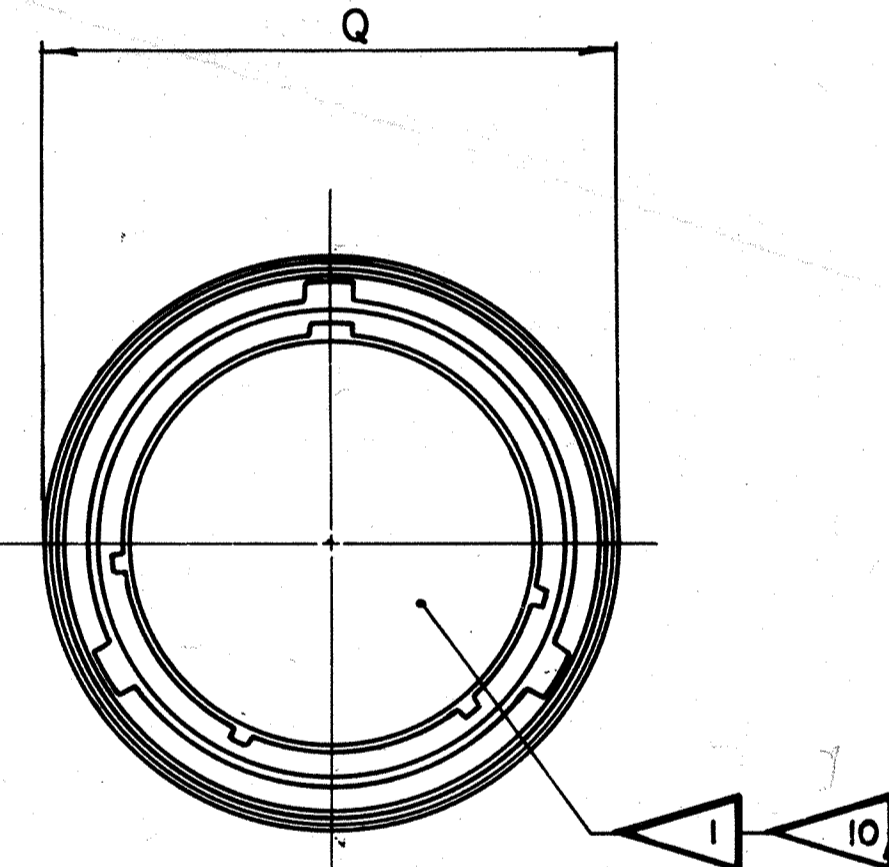
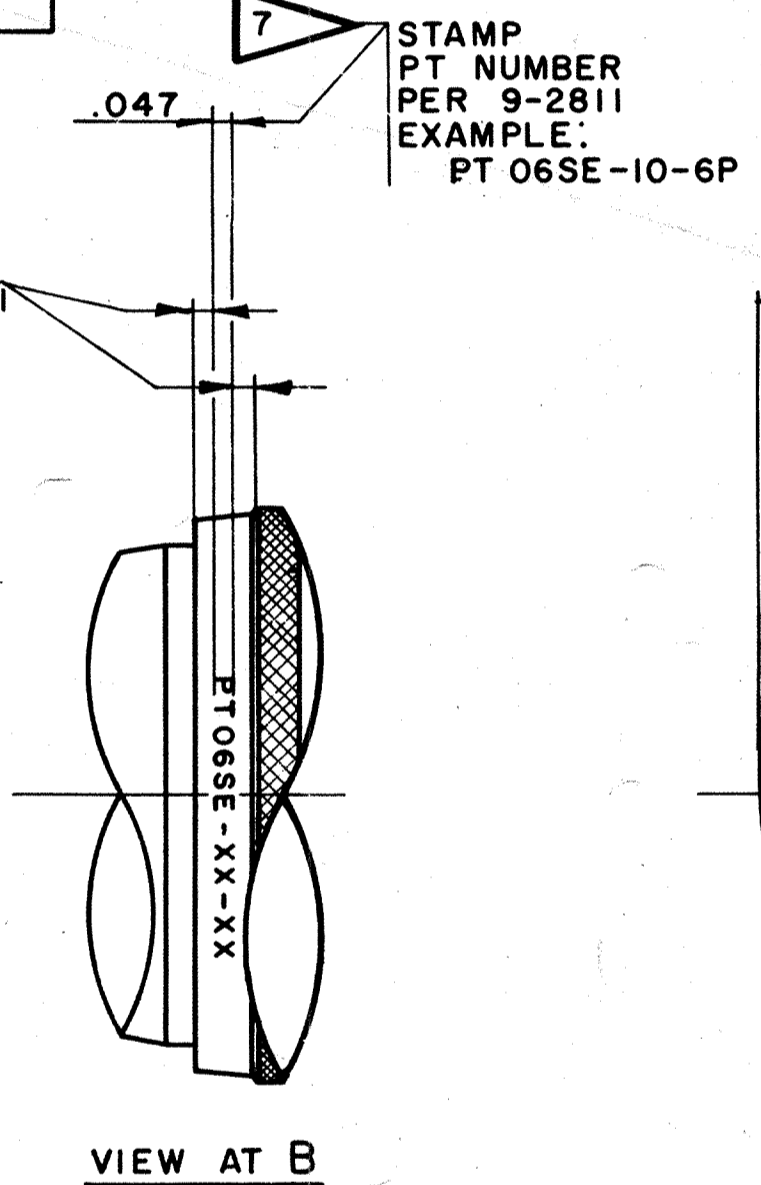
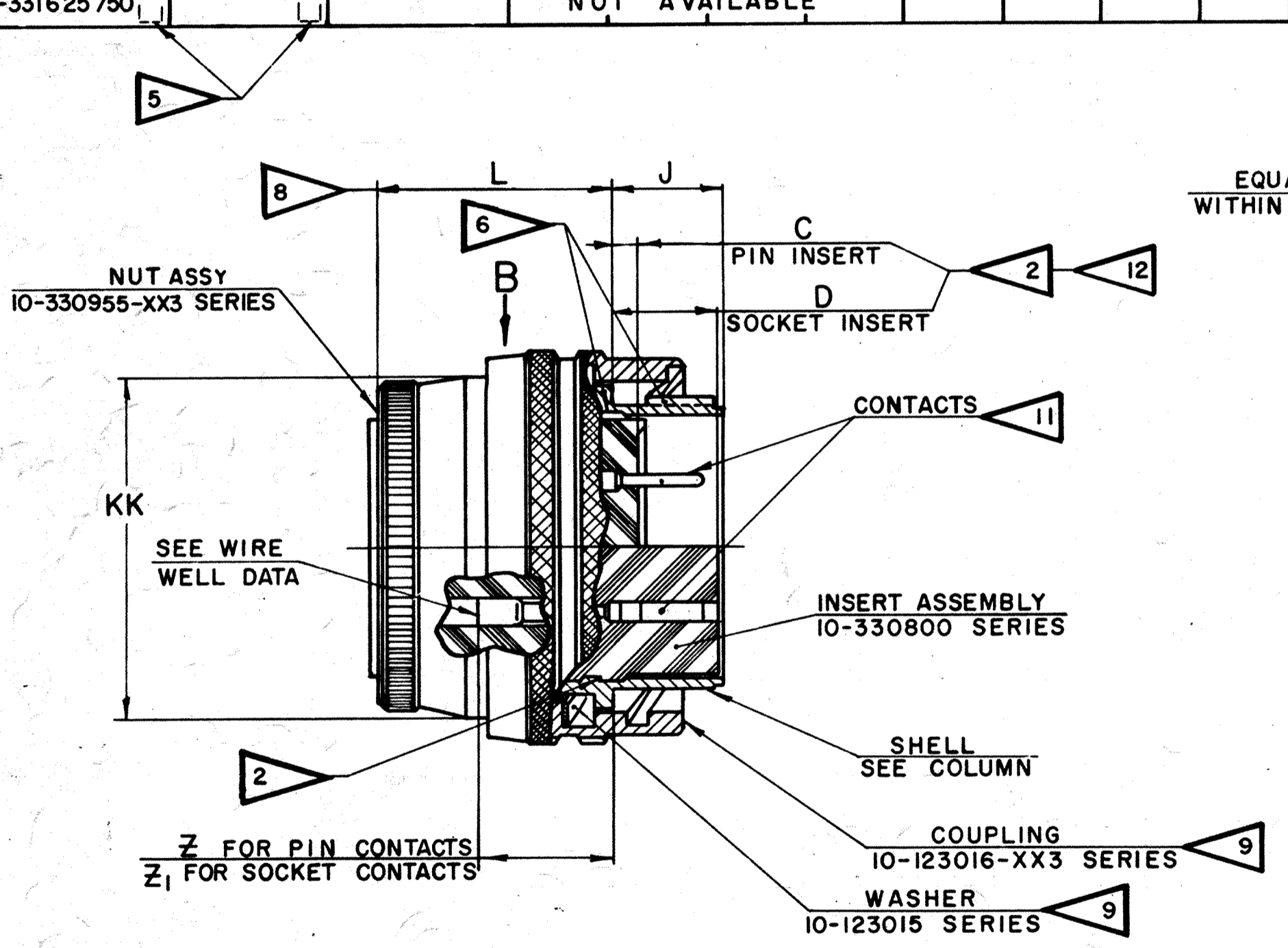


ASSEMBLY NUMBER	PT NUMBER	DETAILS SHELL	DIMENSIONS							
			C +.020 -.000	D +.020 -.000	J	L MAX	Q DIA +.000 -.047	Z ±.045	Z <sub>1</sub> ±.045	KK DIA +.000 -.031
71-331606-	06SE-6-		NOT AVAILABLE							
71-331608-	-8-	10-330906-83	.030	.337	.353	.953	.734	.640	.579	.540
71-331610-	-10-	-103					.844			.685
71-331612-	-12-	-123					1.016			.813
71-331614-	-14-	-143					1.141			.930
71-331616-	-16-	-163					1.266			1.057
71-331618-	-18-	-183					1.375			1.175
71-331620-	-20-	-203	.092	.399	.415	.859	1.516	.578	.517	1.301
71-331622-	-22-	-223				.859	1.641			1.428
71-331624-	-24-	-243				.922	1.761			1.533
71-331625 /50			NOT AVAILABLE							

**ACCESSORIES**  
(NOT PART OF STANDARD ASSEMBLY)

SEE DRAWING  
10-150000

CHG NO.		SYM	DESCRIPTION	DATE	APPROVAL
37753-1		1	REDRAWN BY E. MICHEL, WAS SAME SIZE, TEST 9-3897-1, ASSY 9-3836-1 (PRO SPEC), ADD -24 & DATA, NOTES 12, 13 14, REV NOTE 11.	7-21-60	<i>S. Land</i>
38311-2		2	REV NOTE II.	8-18-61	<i>S. Land</i>
39070-2		3	RELOC AND REV C & D DIM	1-4-62	<i>S. Land</i>
36525-374		4	ADD ENLARGED VIEW OF COAXIAL CONTACT TERMINATION & DATA	1-23-62	<i>S. Land</i>
39606-19		A1	WAS NUT 10-330911-XX3 SERIES, REV L MAX COL, RELOC L DIM.	4-18-62	<i>S. Land</i>
42525-330		A2	WAS .184, .234, .077 (WIRE WELL DATA)	1-7-64	<i>S. Land</i>
45525-425		A3	REM COAX. TERMINATION VIEW, REV COAXIAL WELL DATA BLOCK; NOTE ONE, NOTE 11; ADD SIZE 12 & SIZE 12 FOR 10 TO WIRE WELL DATA BLOCK.	2-2-66	<i>S. Land</i>
55524-218		A4	ADD & REL -8 & DATA	5-7-74	<i>S. Land</i>
55525-288		A5	REV NOTE 11	7-22-74	<i>S. Land</i>
56525-56		A6	REV C COL	12-2-74	<i>S. Land</i>



- FOR CONTACT ARRANGEMENTS & COAXIAL CONTACT DATA, SEE DRAWINGS L-15206-() THRU L-15250-().
- DIMENSIONS MUST BE MAINTAINED WHEN INSERTS ARE PRESSED FIRMLY AGAINST INDICATED SHOULDER.
- MATES WITH RECEPTACLE 71-331006/50 & OTHERS.
- FOR COMPONENT PART NUMBERS OF DESIRED ARRANGEMENT, SEE APPLICABLE PARTS LIST (PL).
- TO COMPLETE ASSY NO. & PT NO., ADD APPLICABLE INSERT ARRANGEMENT SUFFIX TO BASE NUMBERS LISTED ABOVE PER 9-2437-1.
- VERTICAL CENTERLINES OF INSERT ARRANGEMENT AND SHELL POLARIZING KEY MUST BE WITHIN .005 OF INDICATED ROTATION PER 9-2437-1.
- SEE WORK ORDER FOR PERMISSIBLE ADDITIONAL OR ALTERNATE STAMPING.
- DIMENSION INDICATES FINAL INSTALLATION, FOR STORAGE & SHIPPING, SHELL AND NUT MUST BE LOOSELY COUPLED.
- COUPLING SLOTS & WASHER TO BE LUBRICATED PER 9-3502.
- INSERT ASSEMBLIES ARE NOT REMOVABLE.
- FOR FINAL INSTALLATION, CONTACTS MUST BE ASSEMBLED INTO ALL INSERT HOLES. ALL UNUSED GROMMET HOLES MUST BE FILLED WITH APPROPRIATE SEALING PLUG 10-101033.
- INSERT LOCATING DIMENSIONS APPLY BEFORE ASSEMBLY OF CONTACTS.
- SEE INDIVIDUAL DRAWINGS FOR 71-331614-22, 71-331614-91, 71-331618-91 AND 71-331622-96.
- UNITS ILLUSTRATED MEET THE MATERIAL AND FINISH REQUIREMENTS OF MIL-C-26482.

COAXIAL DATA  
SEE NOTE 1

WIRE WELL DATA				
CONTACT SIZE	20	16	12	12 FOR 10
CONDUCTOR WELL DIA	.048 +.002 -.000	.066 +.002 -.000	.100 ±.002	.136 ±.002
CONDUCTOR WELL DEPTH	.189 +.037 -.000	.250 +.031 -.000	.250 +.031 -.000	.234 +.031 -.000
INSULATION WELL DIA	.091 +.002 -.000	NOT AVAILABLE	NOT AVAILABLE	NOT AVAILABLE
INSULATION WELL DEPTH	.072 +.006 -.000	NOT AVAILABLE	NOT AVAILABLE	NOT AVAILABLE

TEST 9-4039-1  
ASSY 9-3836-2, 9-2437-1  
9-3502, 9-2811

UNLESS OTHERWISE SPECIFIED

1. TOLERANCES: LINEAR .000 ± .010, .00 ± .02, .0 ± .1  
ANGULAR ±2°

2. ALL LOCATION TOLERANCES APPLY AT MAXIMUM MATERIAL CONDITION (MMC).

3. RADIUS FILLETS & BREAK EDGES .005-.020.

4. CONCENTRICITY: .015 TIR REGARDLESS OF SIZE.

FOR DRAWING INTERPRETATION SEE SPEC 9-3800

MATERIAL SPEC HEAT TREAT SPEC FINISH SPEC

ABBREVIATIONS & SYMBOLS (MMC)-MAXIMUM MATERIAL CONDITION (TP)-TRUE POSITION (REF NOTE) ORIG ENG JOB NO. 99G

DRAWN: E FLEMING DATE: 4-4-60

CHECKED: Mero DATE: 12-14-60

MAT'L:

BY: J. Bauman 12-19-60

CH DR: J. Bauman 12-19-60

APP: J. L. Bernhart 12-19-60

ITEM	REQD	PART NO.	DESCRIPTION	UNIT WT	NEXT ASSY	USED ON
LIST OF MATERIAL						
APPLICATION						
CONNECTOR, ELECTRICAL PLUG, TYPE PT-SE ( ) MC, OLIVE DRAB						
SCINTILLA DIVISION BENDIX AVIATION CORPORATION SIDNEY, N. Y., U.S.A.						
71-331606 THRU 71-331650						
DRAWING SIZE: C TAB						

71-331606 THRU 71-331650