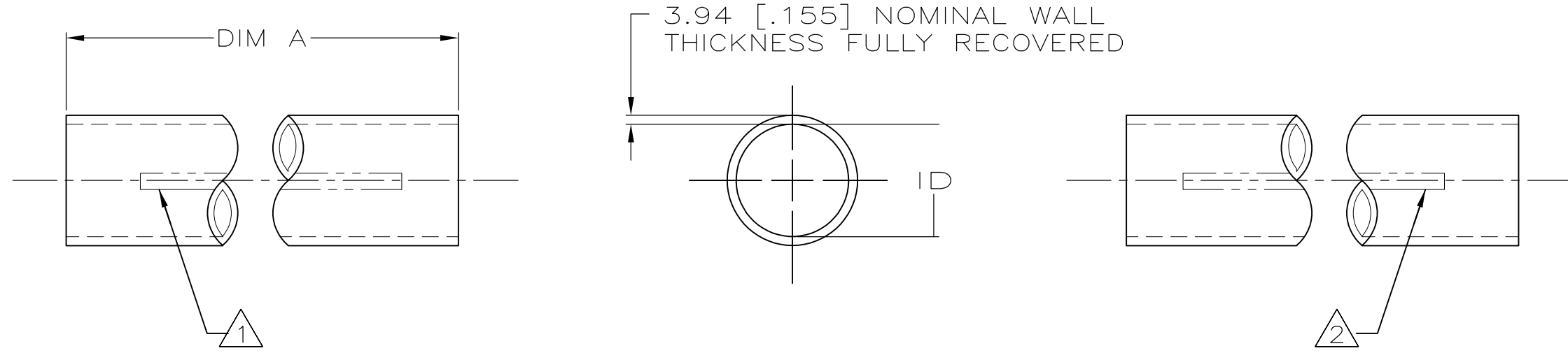


THIS DRAWING IS UNPUBLISHED. RELEASED FOR PUBLICATION ,19 .
 © COPYRIGHT 19 BY AMP INCORPORATED. ALL INTERNATIONAL RIGHTS RESERVED.

LOC	DIST	P	F	REVISIONS				
F1	25			ZONE	LTR	DESCRIPTION	DATE	APPD
					T	OBS:-2;EC ON20-0070-97	14MAY98	DS EH
					11	REVISED PER ECO-09-020774	24AUG09	KK AEG



50.80 [2.00] MINIMUM EXPANDED
 19.05 [.750] MAXIMUM RECOVERED

- 1 PRODUCT MARKED WITH AMP, AND DATE CODE WITH 6.35 [.25] HIGH CHARACTERS USING WHITE INK LOCATED ALONG THIS SURFACE. REPEATED EVERY 203.2 [8.0].
- 2 PRODUCT MARKED 2.000 - .750/ 50.8mm - 19.0mm WITH 6.35 [.25] HIGH CHARACTERS USING WHITE INK LOCATED ALONG THIS SURFACE. REPEATED EVERY 203.2 [8.0].
- 3. SEALANT APPLIED TO TUBING THROUGHOUT LENGTH.
- 4. DIMENSIONS SPECIFIED WITHOUT SEALANT.
- 5 WEIGHT PER LINEAR FOOT:140.6 GRAMS/.31 POUNDS.
- 6 OBSOLETE PARTS: OBSOLETE CIS STREAMLINING PER D.RENAUD/D.SINISI

6	1244.6 - 1219.2 [49.00 - 48.00]	1-53714-4
	914.4 ±6.4 [36.00 ±.25]	1-53714-0
	304.8 ±4.8 [12.00 ±.19]	53714-4
	228.6 ±4.8 [9.00 ±.19]	53714-3
	DIM A	PART NO

DO NOT SCALE PRINT. UNLESS SPECIFIED DIMENSIONS IN mm [INCHES] TOLERANCES ON: 2 PLC DEC ± - 3 PLC DEC ± - ANGLES ± -	DR 1-21-94 W CHANDLER
	CHK 3-30-94 N JONES
	APPD 3-10-94 D KAAT
	APPD 3-11-94 F HARNED
	PRODUCT SPEC -
MATERIAL BLACK POLYOLEFIN	APPLICATION SPEC -
FINISH -	WEIGHT 5

AMP AMP Incorporated Harrisburg, PA 17105-3608		
NAME AMPSULATION HWP31, HST, WITH SEALANT, 2.00 INCHES DIAMETER		
SIZE B	CAGE CODE 00779	DRAWING NO C-53714
SCALE NTS	SHEET 1 OF 1	

THIS DRAWING IS A CONTROLLED DOCUMENT FOR AMP INCORPORATED. IT IS SUBJECT TO CHANGE AND THE CONTROLLING ENGINEERING ORGANIZATION SHOULD BE CONTACTED FOR THE LATEST REVISION.