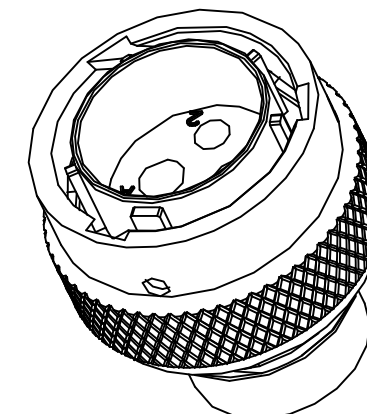
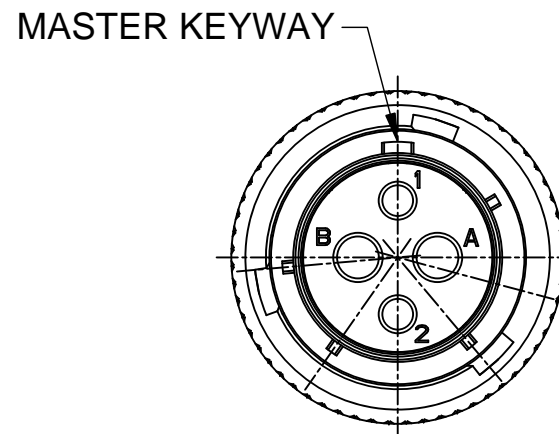
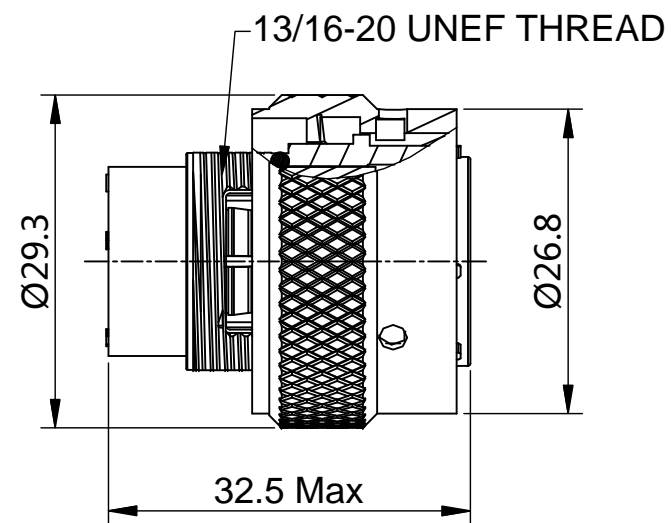


REVISIONS					
REV	ECO	DESCRIPTION	DATE	BY	APPR
B1	-	RELEASED DRAWING	JUN-23-2014	BEN	TOMMY



NOTES : (UNLESS OTHERWISE SPECIFIED)

1. MATERIAL :  
 SHELL : ZINC ALLOY , NICKEL PLATED.  
 INSERT : THERMOPLASTIC , UL94 V-0.  
 COUPLING NUT : AL ALLOY, NICKEL PLATED.  
 O-RING : NBR.  
 WAVE WASHER : STAINLESS STEEL.
2. SPECIFICATIONS :
  - 2.1 RATED CURRENT :
    - 2.1.1 16# CONTACT 13A (MAX).
    - 2.1.2 2.5mm CONATCT 23A(MAX).
  - 2.2 RATED VOLTAGE : 350V ( AC/DC ) .
  - 2.3 OPERATING TEMPERATURE : -40°C ~ +105°C.
  - 2.4 DIELECTRIC WITHSTANDING VOLTAGE : LESS THAN 2 MILLIAMPS CURRENT LEAKAGE@2000 VOLTS AC.
  - 2.5 INSULATION RESISTANCE : 5000 MEGOHMS MIN.
  - 2.6 IP--CLASS : IP67.
  - 2.7 MATING CYCLES DURABILITY : 500 CYCLES MIN.
  - 2.8 ROHS COMPLIANT.
3. SUITABLE CONTACTS : 16# & 2.5mm CONTACTS.
4. ALL DIMENSIONS ARE FOR REFERENCE USE ONLY.

KEY POS	PART NUMBER
N	RT06142PNH
W	RT06142PWH
X	RT06142PXH
Y	RT06142PYH
Z	RT06142PZH

QUANTITY	SEE PART NUMBER CHART PART NUMBER	DESCRIPTION	ITEM
<b>MATERIALS LIST</b>			
UNLESS OTHERWISE SPECIFIED 1) All dimensions are in metric(mm). 2) Tolerances are as follows: 1 PL DEC ±0.30 2 PL DEC ±0.15 3 PL DEC ±0.08 Fractions ±1/64 Angles ±1° 3) Note reference =		<b>SIGNATURES</b> DRAWN: BEN CHECKED: ENGINEER: APPROVAL: <b>DATE</b> JUN-23-2014	 Sine Systems - www.amphenol-sine.com 44724 Morley Drive Clinton Township, MI 48036
MATERIAL SPECIFICATIONS:  PROCESS SPECIFICATIONS:  NEXT ASSY:		CUSTOMER:  THIS DRAWING IS SUPPLIED FOR INFORMATION ONLY. DESIGN FEATURES, SPECIFICATIONS AND PERFORMANCE DATA SHOWN HEREON ARE THE PROPERTY OF THE AMPHENOL CORPORATION. NO RIGHTS OF REPRODUCTION ARE IMPLIED. ALL DIMENSIONS ARE SUBJECT TO NORMAL MANUFACTURING VARIATIONS.	
SIZE: <b>B</b> TYPE: <b>C-</b> SCALE: <b>NONE</b>		DWG NO: <b>RT06142P*H</b> REVISION: <b>B1</b>	SHEET <b>1</b> OF <b>1</b>

TITLE: ECO-MATE PLUG, SIZE 14,2POS,PIN.  
 DWG NO: RT06142P\*H  
 REV: B1  
 SH: 1  
 OF: 1