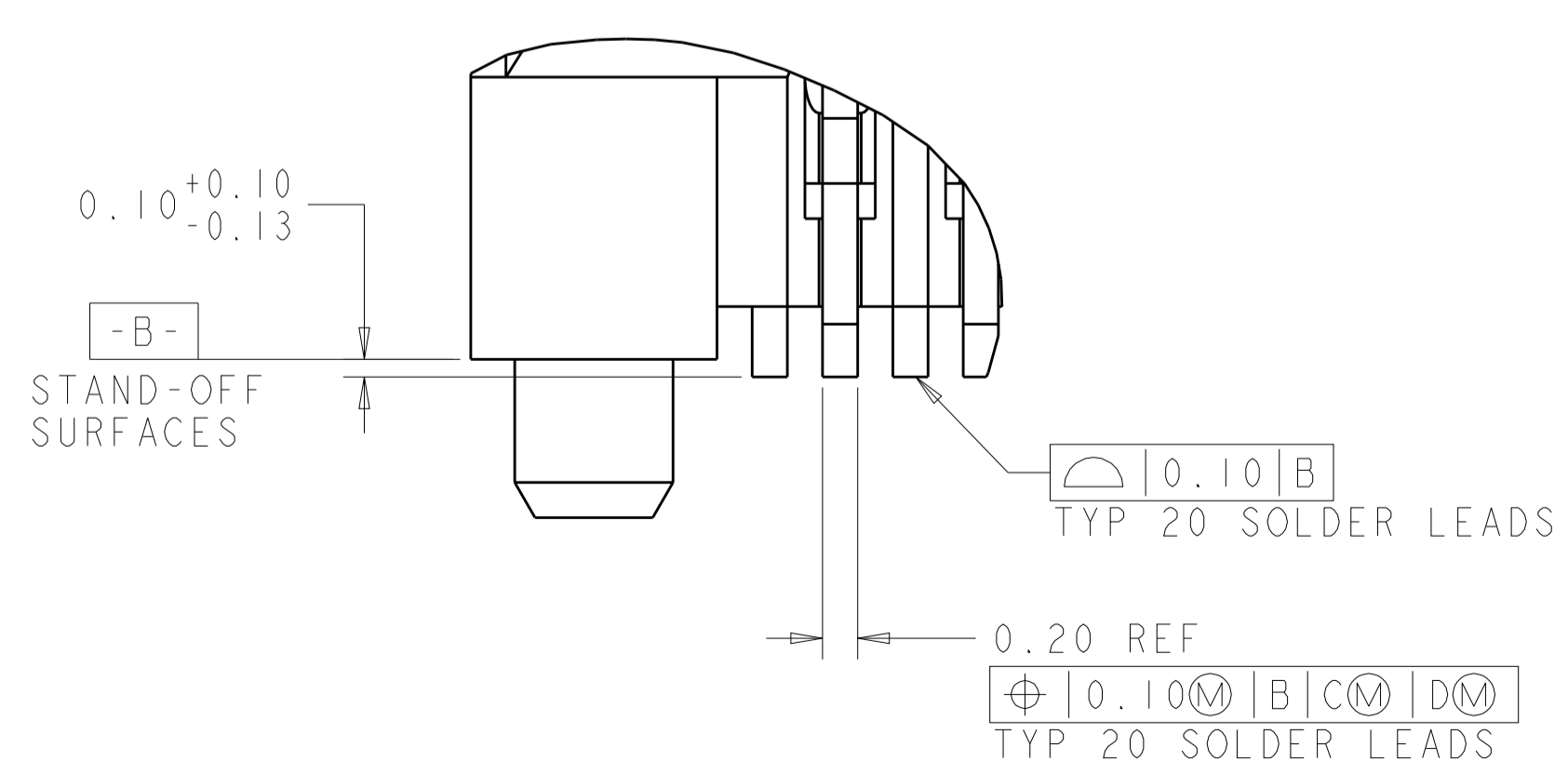
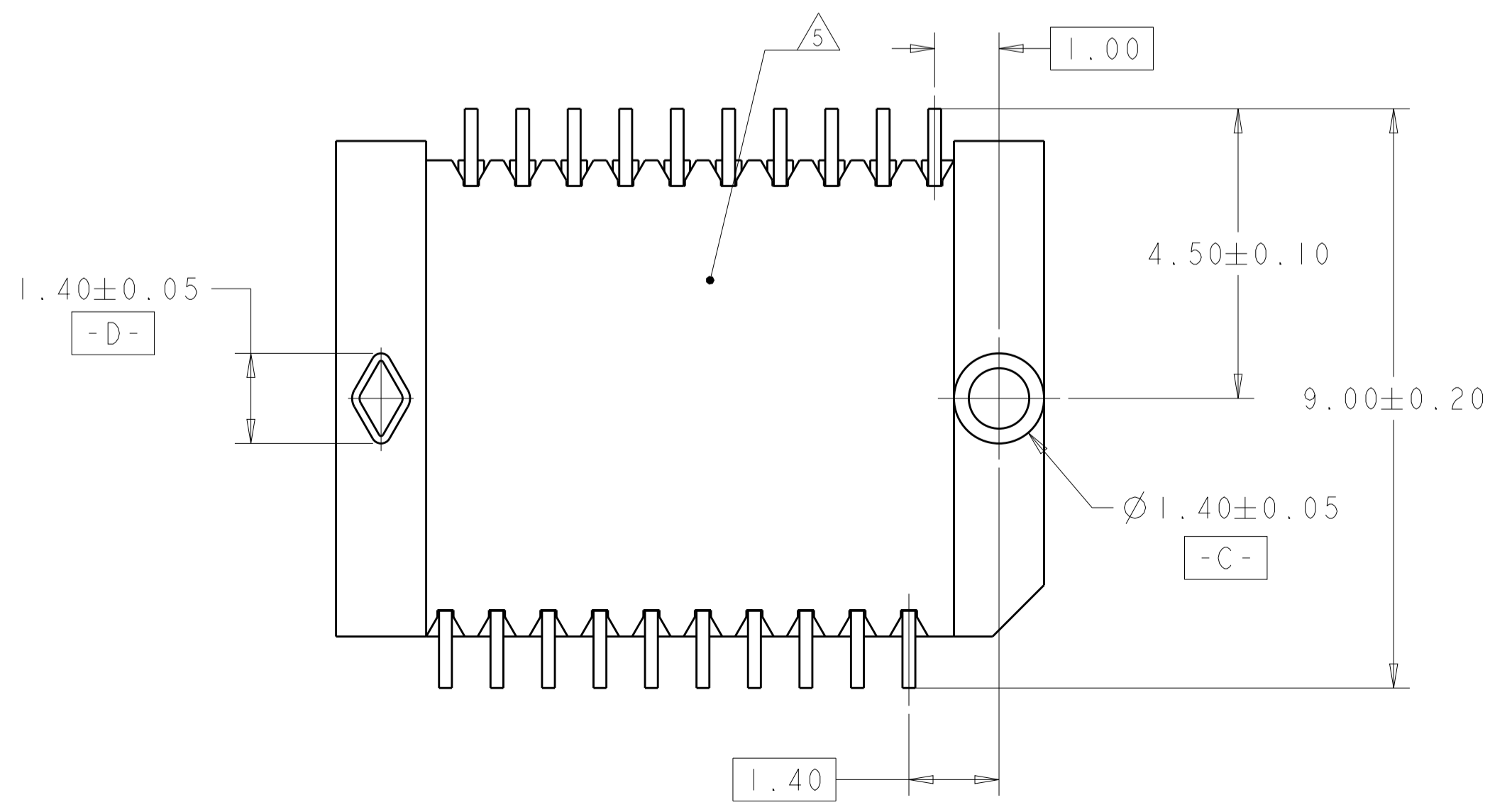
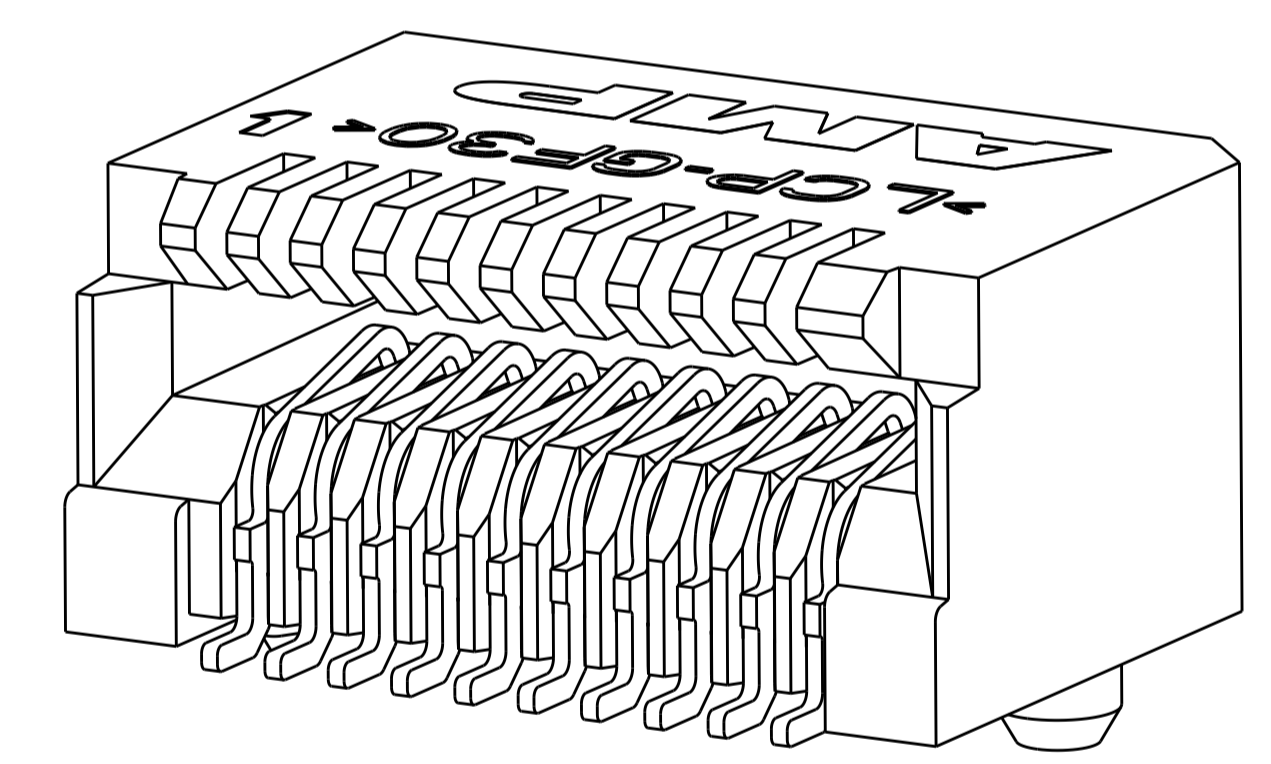
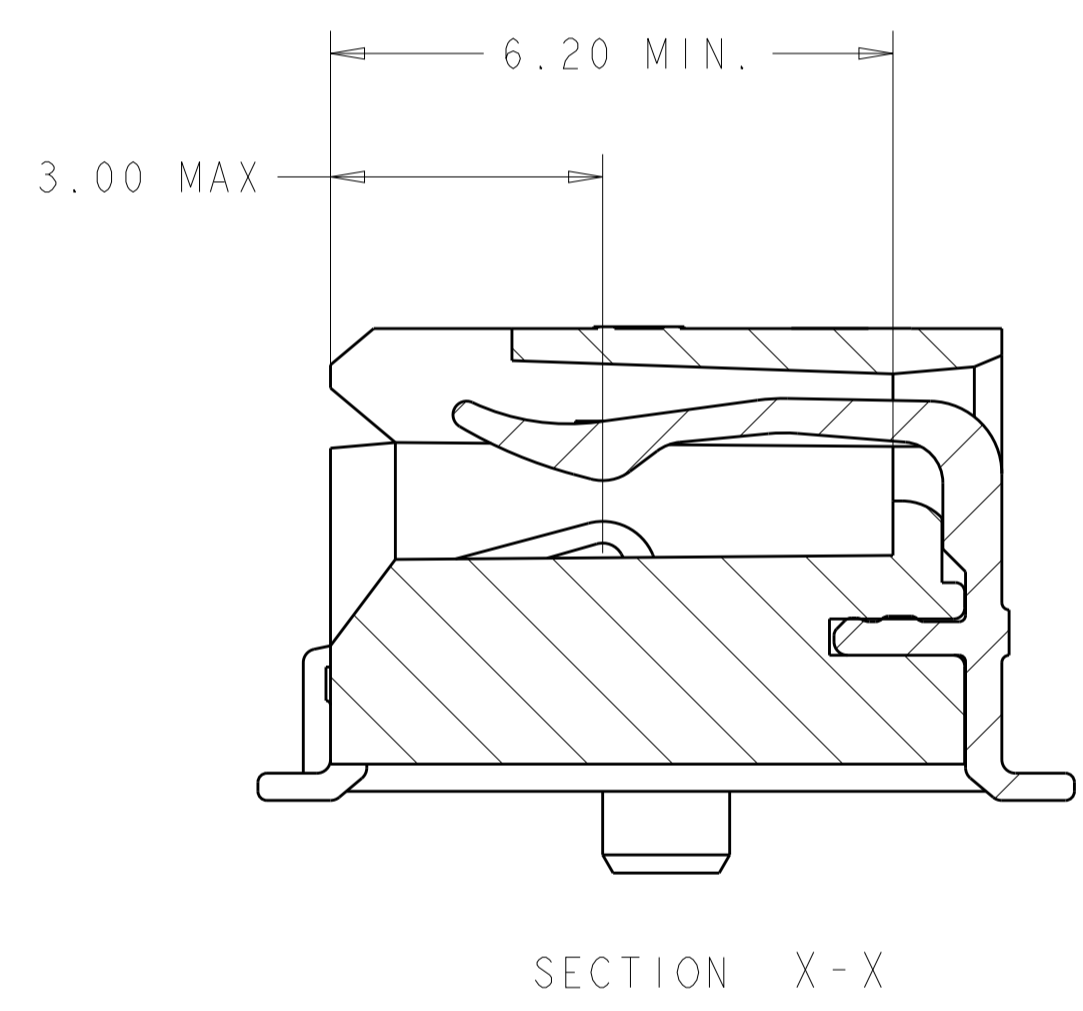
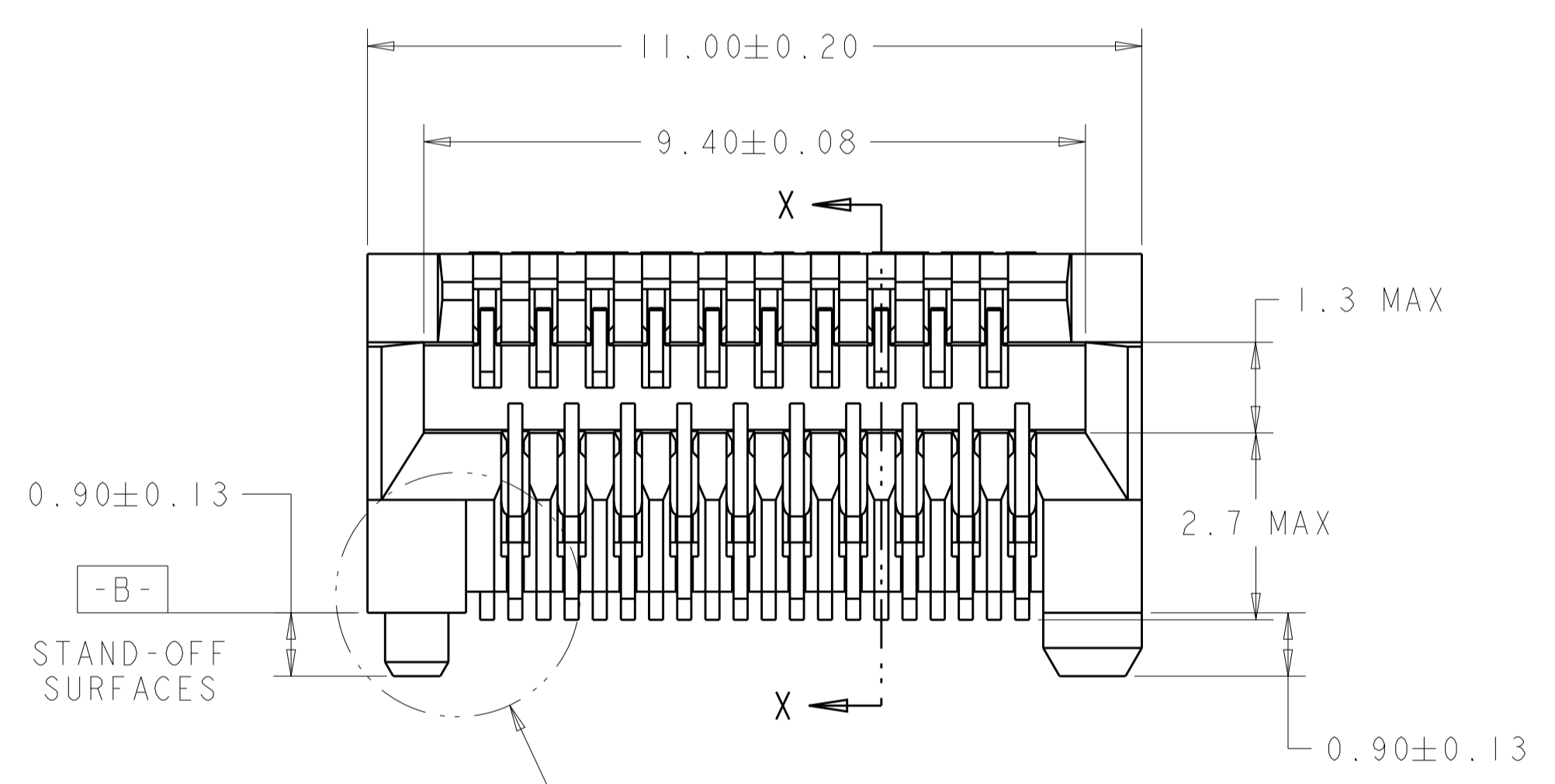
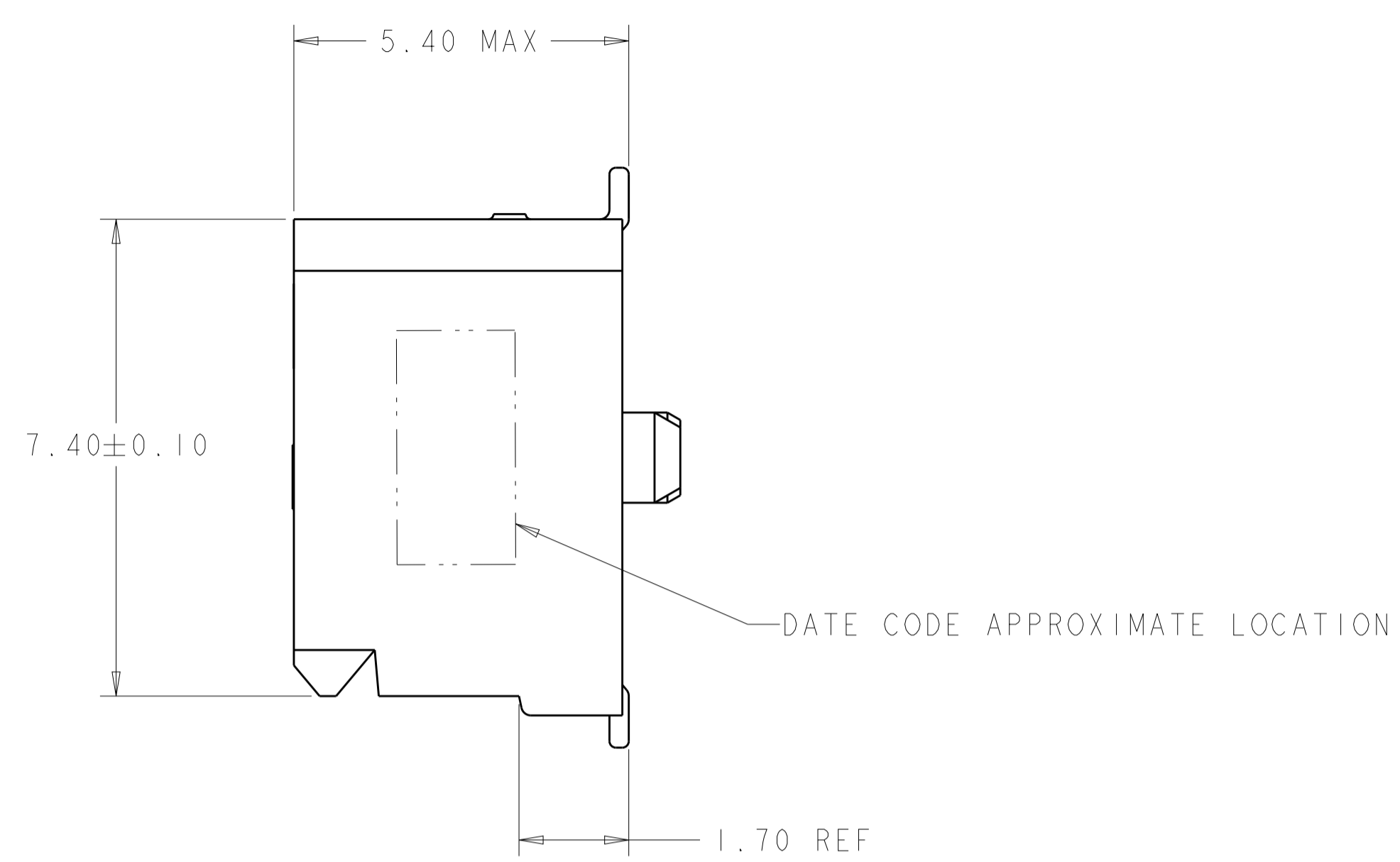
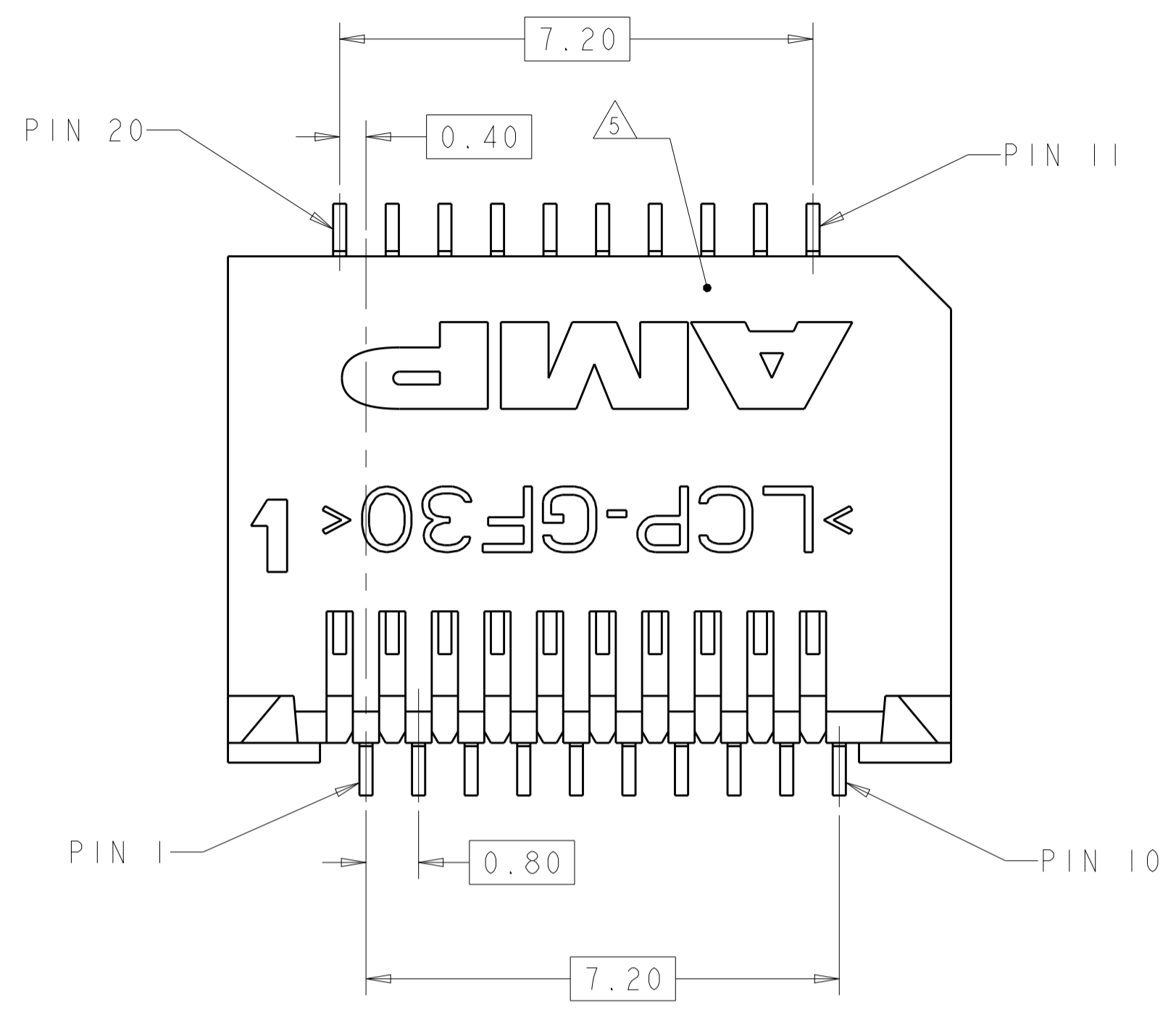


LOC	DIST	REVISIONS					
		P	LTN	DESCRIPTION	DATE	DWN	APVD
ES	00	A		PRODUCTION RELEASE	29FEB2015	JW	SH



DETAIL H
SCALE 25:1

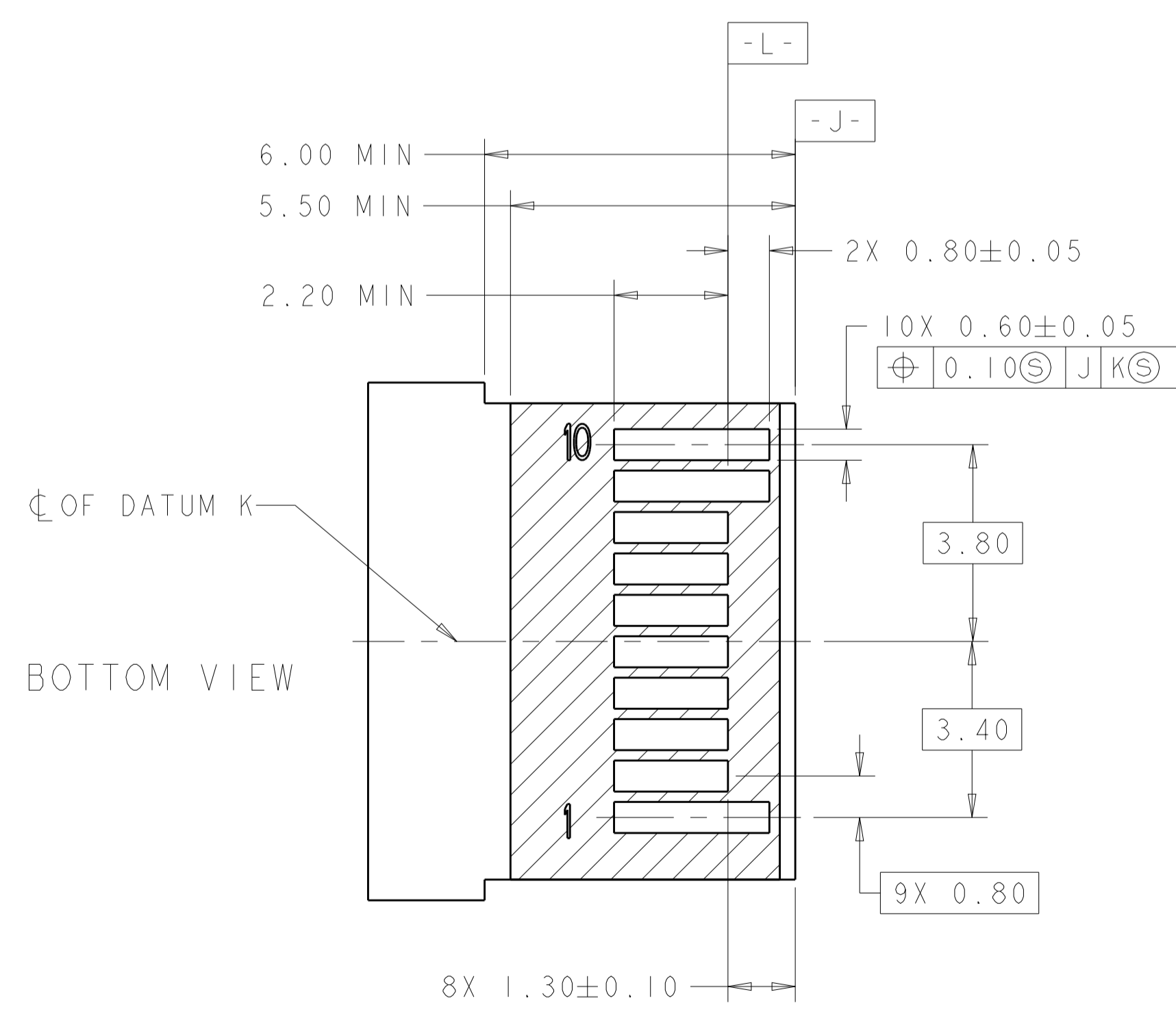
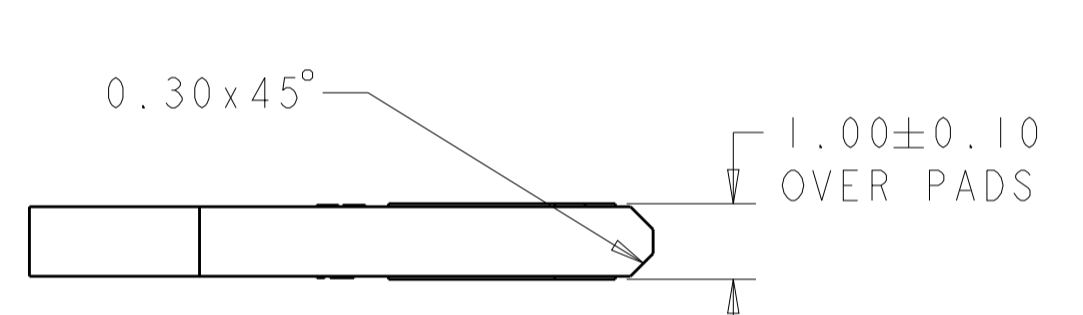
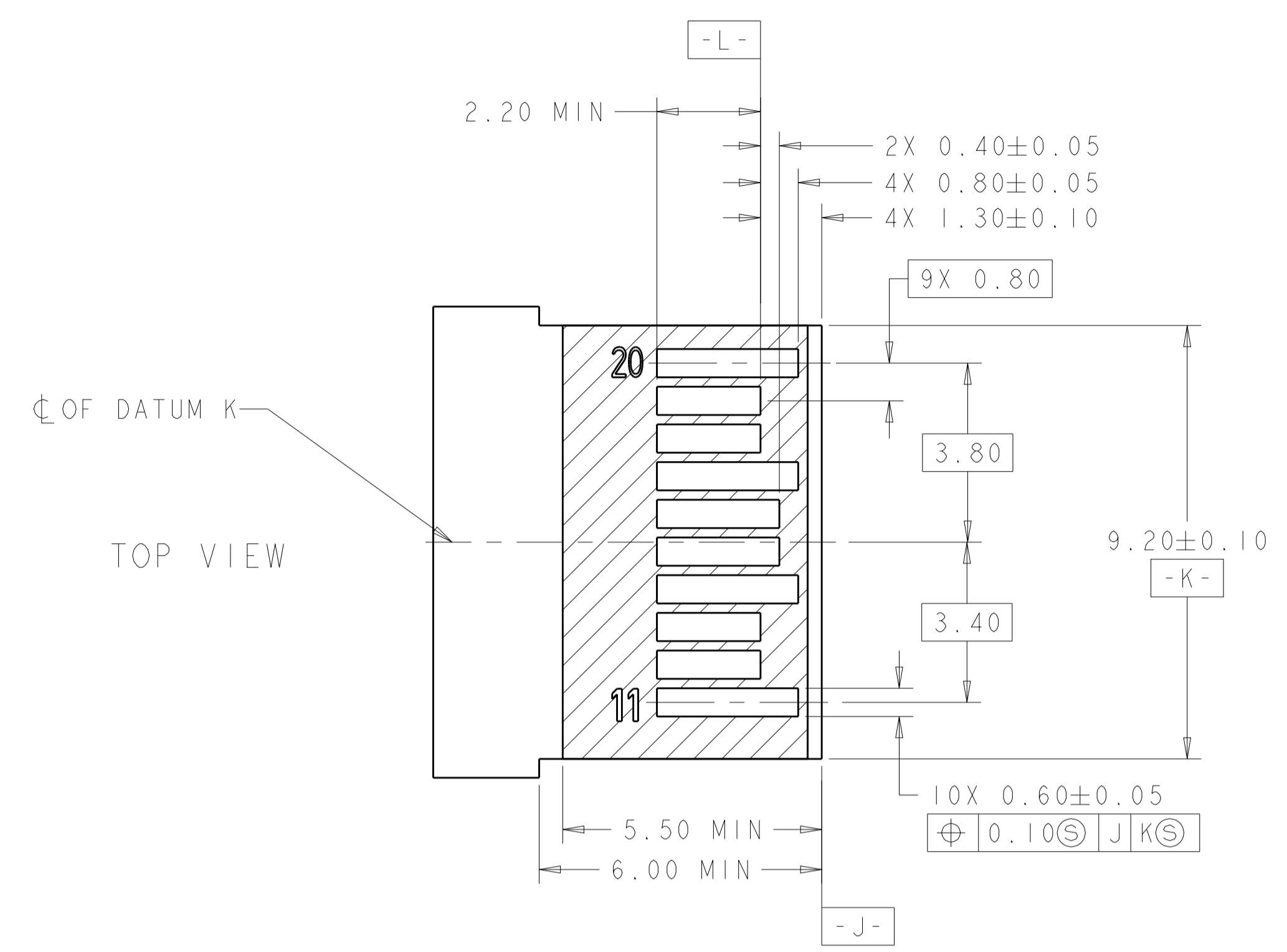
- 1 MATERIAL:
HOUSING: HIGH TEMPERATURE LCP, UL 94V-0 RATED, BLACK
CONTACTS: PHOSPHOR BRONZE.
- 2 FINISH:
CONTACTS: 0.76um MIN GOLD ON CONTACT AREA, 0.13um
MIN GOLD ON SOLDER AREA. ALL OVER 3.8um MIN NICKEL
UNDERPLATE ON ENTIRE CONTACT. LUBRICANT ON GOLD PLATE
CONTACT AREAS.
- 3. PACKAGED 480 PIECES PER REEL.
- 4 DATUMS AND BASIC DIMENSIONS TO BE ESTABLISHED BY
CUSTOMER; SEE DRAWING 1367034 FOR LAYOUT WHEN USED
WITH 1367034-1 BOTTOM CAGE (STANDARD SFP APPLICATION).
- 5 PULL GROOVES PERMITTED ON THESE SURFACES AT MOLDING
ENGINEERING DISCRETION

YES	△	2170184-2
NO	△	2170184-1
DATE CODE	FINISH	PART NUMBER

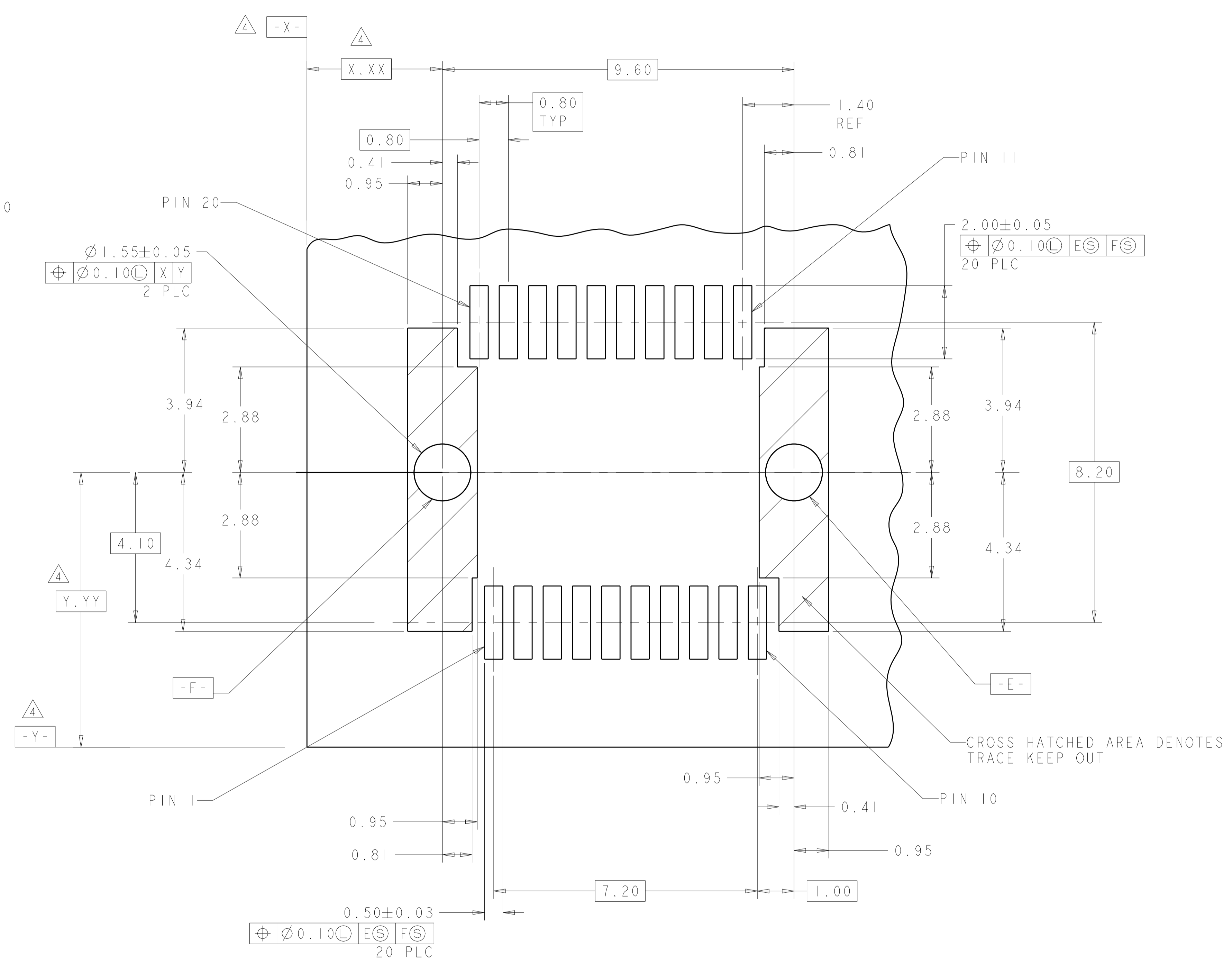
THIS DRAWING IS A CONTROLLED DOCUMENT.		DWN: TIM XUE 21NOV2011	STE TE Connectivity	
DIMENSIONS: mm		CHK: ALEX CAI 21NOV2011		
TOLERANCES UNLESS OTHERWISE SPECIFIED:		APVD: ALEX CAI 21NOV2011	NAME: PT CONNECTOR ASSEMBLY, 20 POS, RIGHT ANGLE, 0.8mm PITCH, SFP+	
0 PLC	±	PRODUCT SPEC	SIZE: CAGE CODE DRAWING NO	
1 PLC	±0.10	108-2331	RESTRICTED TO	
2 PLC	±	APPLICATION SPEC	A100779C=2170184	
3 PLC	±	114-13120	SCALE 12:1 SHEET 1 OF 3 REV A	
4 PLC	±	WEIGHT		
ANGLES	±	CUSTOMER DRAWING		
FINISH	△			

LOC	DIST	REV	DATE	BY	APPV
ES	00				

REVISIONS		DATE	BY	APPV
-	SEE SHEET 1	-	-	-



RECOMMENDED LAYOUT DETAIL
MATING TRANSCEIVER PCB
SCALE 10:1

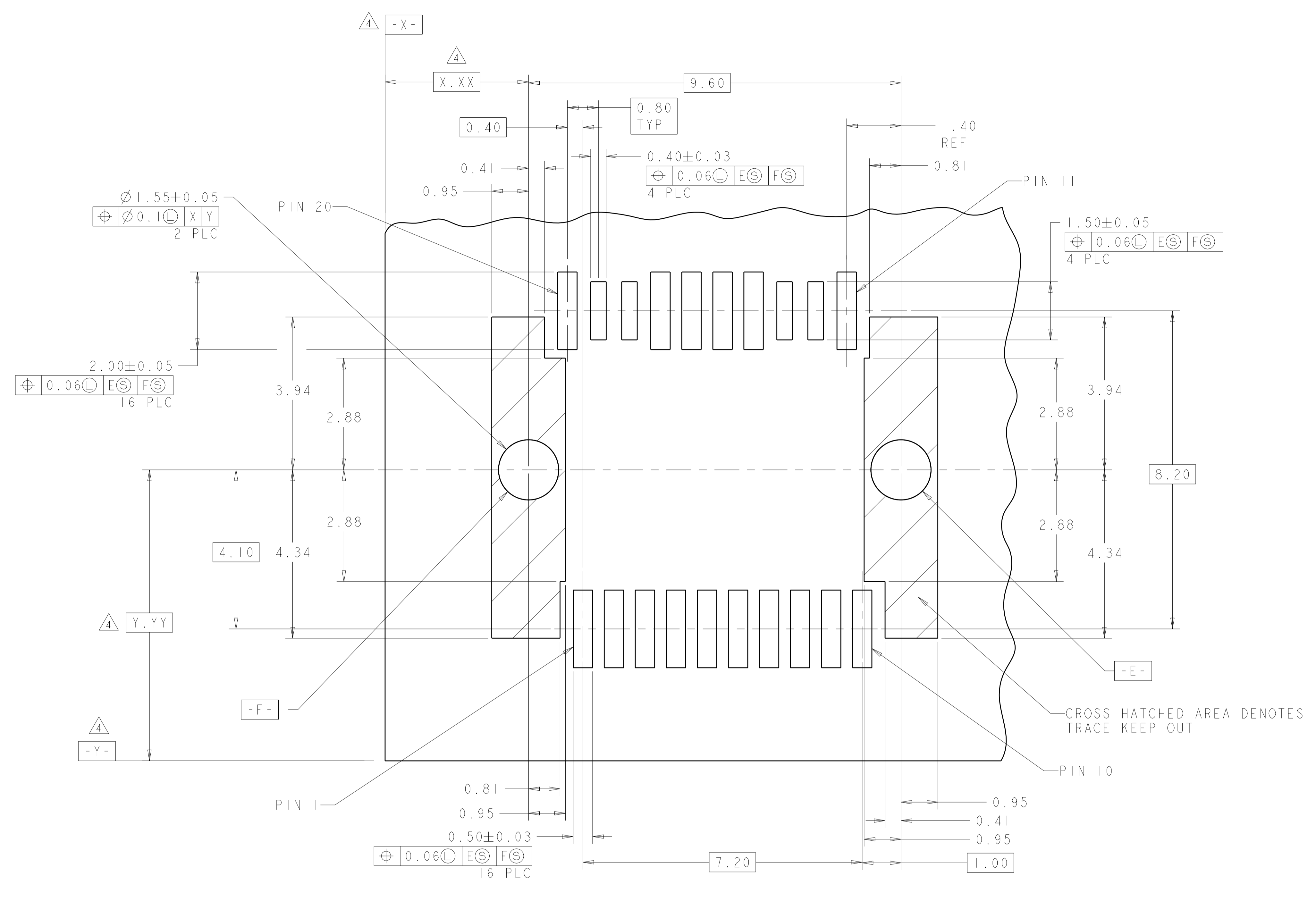


RECOMMENDED PCB LAYOUT DETAIL
CONNECTOR MOUNTING SIDE
SCALE 14:1

THIS DRAWING IS A CONTROLLED DOCUMENT.		DWN: TIM XUE 21NOV2011 CHK: ALEX CAI 21NOV2011 APVD: ALEX CAI 21NOV2011	TE Connectivity	NAME: PT CONNECTOR ASSEMBLY, 20 POS, RIGHT ANGLE, 0.8mm PITCH, SFP+		
DIMENSIONS: mm TOLERANCES UNLESS OTHERWISE SPECIFIED: 0 PLC ± 1 PLC ±0.10 2 PLC ± 3 PLC ± 4 PLC ± ANGLES ±		PRODUCT SPEC: 108-2331 APPLICATION SPEC: 114-13120 WEIGHT:			SIZE: A1 CAGE CODE: 00779 DRAWING NO: C=2170184	RESTRICTED TO:
MATERIAL:		FINISH: -	CUSTOMER DRAWING	SCALE: 12:1	SHEET: 2 OF 3	REV: A

LOC	DIST	REV	DATE	BY	APPV
ES	00				

REVISIONS					
REV	DATE	BY	APPV	DESCRIPTION	DATE
-	-	-	-	SEE SHEET 1	-



OPTIONAL LAYOUT FOR IMPROVED
 SIGNAL INTEGRITY, MOUNTING SIDE
 SCALE 16:1

THIS DRAWING IS A CONTROLLED DOCUMENT.		OWN: TIM XUE 21NOV2011	TE Connectivity
DIMENSIONS: mm		CHK: ALEX CAI 21NOV2011	
TOLERANCES UNLESS OTHERWISE SPECIFIED:		APVD: ALEX CAI 21NOV2011	NAME: PT CONNECTOR ASSEMBLY, 20 POS, RIGHT ANGLE, 0.8mm PITCH, SFP+
0 PLC ± 1 PLC ± 2 PLC ±0.10 3 PLC ± 4 PLC ± ANGLES ±		PRODUCT SPEC: 108-2331	
MATERIAL: -		APPLICATION SPEC: 114-13120	SIZE: A100779
FINISH: -		WEIGHT: -	DRAWING NO: C=2170184
CUSTOMER DRAWING		SCALE: 12:1	SHEET 3 OF 3