

CODE	DIM "M" MATING LENGTH	CONTACT TYPE
PC	[N/A]	POWER
K	[5.59]	SIGNAL
G	[6.86]	SIGNAL

spec ref	See Notes			dr	Shi Guang	2012/03/19	projection 	MM ←→	size	A4	scale	1:1
tolerance std	TOLERANCES UNLESS OTHERWISE SPECIFIED			eng	Luo Weller	2013/02/27			ecn no	-	rel level	Released
See Notes				chr	-	-						
surface	linear	0.X	±0.50	appr	Pei-Ming Zheng	2013/02/27	product family		PwrBlade		rev	
		0.XX	±0.25	www.fci.com		title	10P + 44S + 10P		dwg no	51710-052		
	angular	0°	±2°	cat. no.			-			Product - Customer Drw		sheet 1 of 4

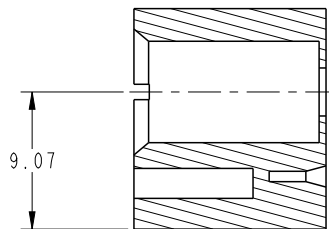
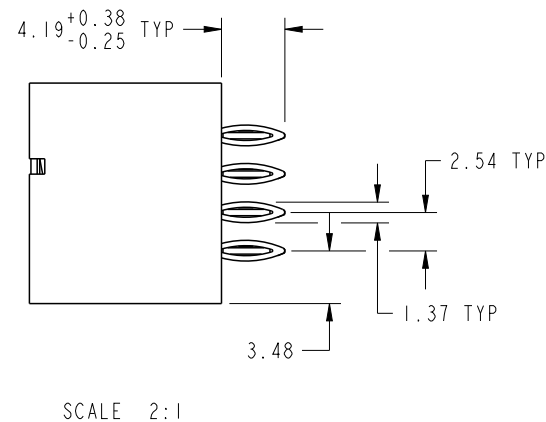
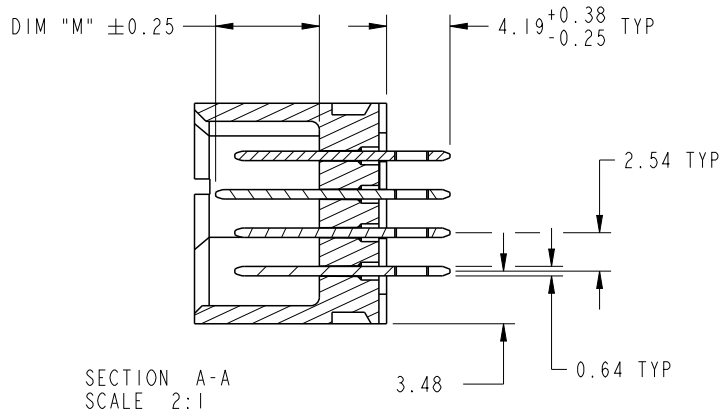


Copyright FCI.

Prod File - REV C - 2009-06-09

PRODUCT NUMBER

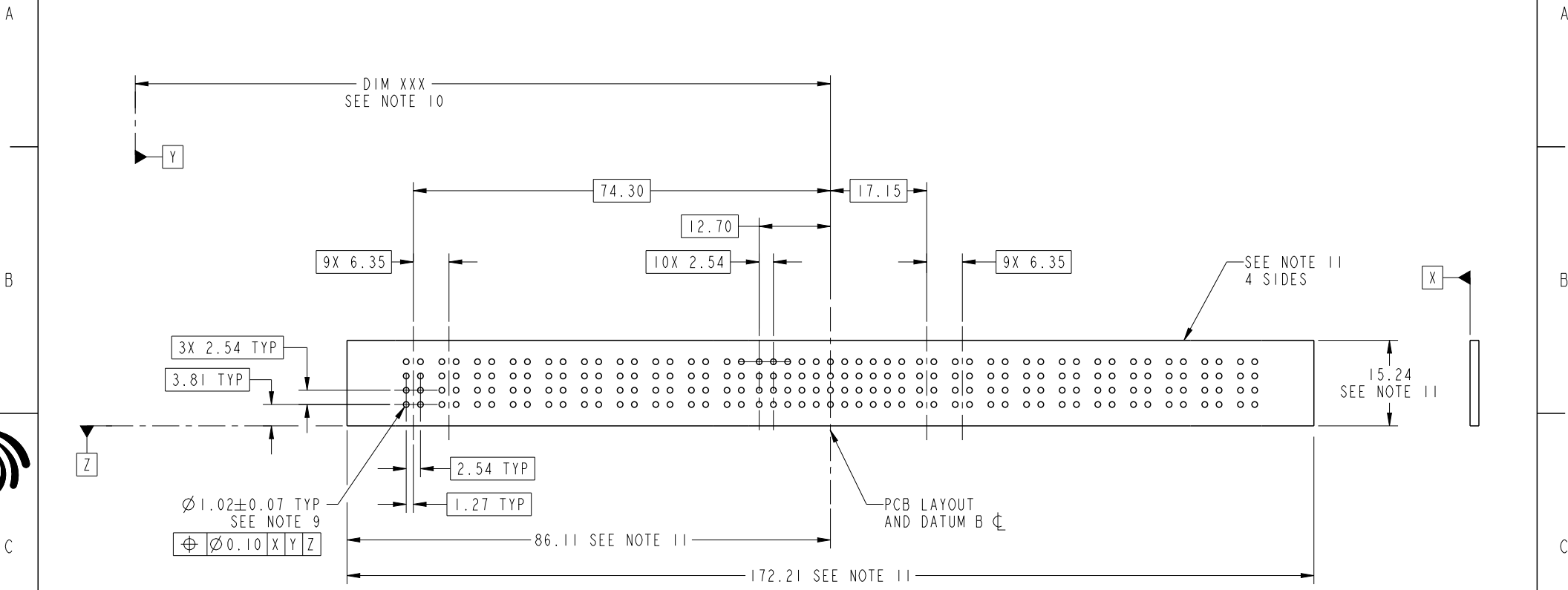
51710-052\_\_  
NOTE 3



SECTION C-C  
SCALE 2:1

dr	Shi Guang	2012/03/19	projection 	MM 	size	A4	scale	1:1			
eng	Luo Weller	2013/02/27			ecn no	-					
chr	-	-			rel level	Released					
appr	Pei-Ming Zheng	2013/02/27	product family	PwrBlade							
		title			10P + 44S + 10P		dwg no		51710-052	rev	A
www.fci.com		cat. no.			-		Product - Customer Drw		sheet 2 of 4		

PRODUCT NUMBER  
51710-052--  
NOTE 3



RECOMMENDED PCB LAYOUT



Copyright FCI.

dr	Shi Guang	2012/03/19	projection 	MM 	size	A4	scale	1:1
eng	Luo Weller	2013/02/27			ecn no	-		
chr	-	-			rel level	Released		
appr	Pei-Ming Zheng	2013/02/27	product family	PwrBlade				
	title	10P + 44S + 10P VERTICAL PRESS FIT HEADER		dwg no	51710-052		rev	A
www.fci.com	cat. no.	-	Product - Customer Drw			sheet 3 of 4		

PRODUCT NUMBER

51710-052\_\_  
NOTE 3

NOTES:

1. DIMENSIONS AND TOLERANCES ARE IN ACCORDANCE WITH ASME Y14.5M, 1994 UNLESS OTHERWISE SPECIFIED.

CONNECTOR NOTES:

- ② HOUSING MATERIAL: UL 94 V-0 GLASS FILLED HIGH-TEMP THERMOPLASTIC  
POWER CONTACT MATERIAL: COPPER ALLOY  
SIGNAL PIN MATERIAL: COPPER ALLOY
  - 3. SEE ITEM 3 & 4 IN PRINT 10064183 FOR PLATING SPEC OF 51710-052 AND 51710-052LF RESPECTIVELY.
  - ④ MANUFACTURER'S NAME, DATE CODE AND OPTIONAL P/N TO APPEAR ON THIS SURFACE. THE P/N CAN BE OMITTED IF THERE IS NOT ENOUGH SPACE ON THIS SURFACE.
  - 5. PRODUCT SPECIFICATION GS-12-149.  
APPLICATION SPECIFICATION BUS-20-067.
  - 6. PACKAGED IN TRAYS.
- PCB NOTES:
- 7. ALL HOLE DIAMETERS ARE FINISHED HOLE SIZE.
  - 8. MOUNTING HOLES, WHERE APPLICABLE, ARE UNPLATED.

⑨  $\varnothing 1.151 \pm 0.025$  DRILLED HOLES PLATED WITH  
0.008 MIN SnPb OR Sn OVER .001 [0.03]  
TO 0.08 Cu PLATING TO ACHIEVE  
 $\varnothing 1.02 \pm 0.07$  HOLE.

⑩ "DIM XXX" TO BE DETERMINED BY THE CUSTOMER.

⑪ CONNECTOR KEEP-OUT ZONE.

12. FOR PRESS FIT APPLICATION USE FCI CAM TOOL 430169-XXX.

dr	Shi Guang	2012/03/19	projection 	MM 	size	A4	scale	1:1	
eng	Luo Weller	2013/02/27			ecn no	-			
chr	-	-							
appr	Pei-Ming Zheng	2013/02/27	product family	PwrBlade	rel level	Released			
	title	10P + 44S + 10P VERTICAL PRESS FIT HEADER			dwg no	51710-052		rev	A
www.fci.com	cat. no.	-	Product - Customer Drw			sheet 4 of 4			



Copyright FCI.