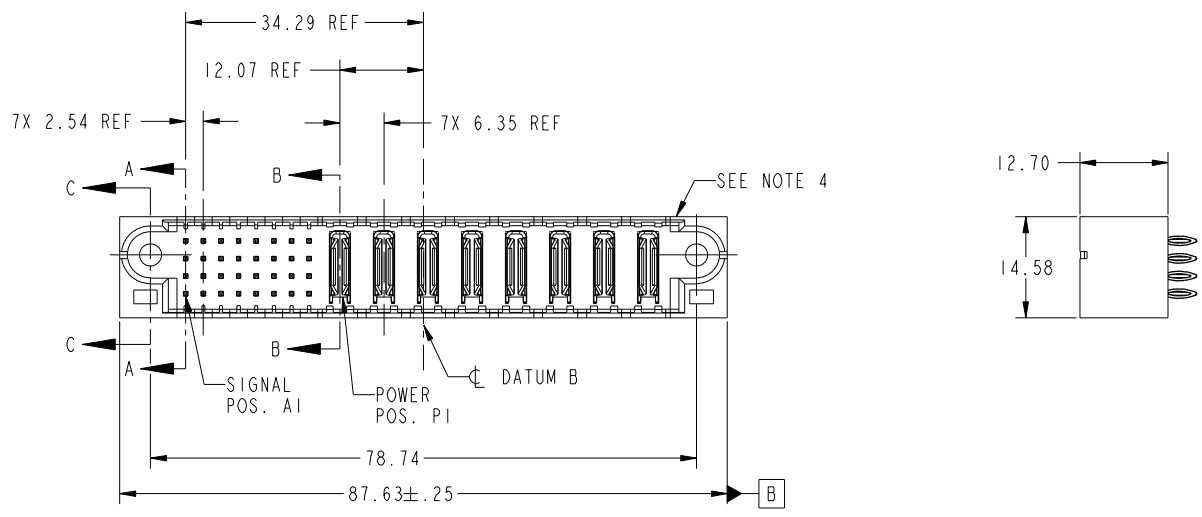


Tous droits strictement reserves. Reproduction ou communication a des tiers interdite sous quelque forme que ce soit sans autorisation écrite du propriétaire. Propriete de c FCI. Droits de reproduction FCI.



All rights strictly reserved. Reproduction or issue to third parties in any form whatever is not permitted without written authority from the proprietor. Property of FCI. Copyright FCI.

PRODUCT NO.	ROWS	SIGNAL								POWER									
		E1	1	2	3	4	5	6	7	8	P1	P2	P3	P4	P5	P6	P7	P8	E2
51952-106-- NOTE ③	D C B A		G	G	G	G	G	G	G	PC	PC	PC	PC	PC	PC	PC	PC	PC	



CODE	DIM "M" MATING LENGTH	CONTACT TYPE
PC	[N/A]	POWER
G	[6.86]	SIGNAL

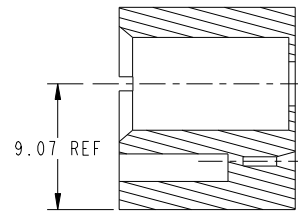
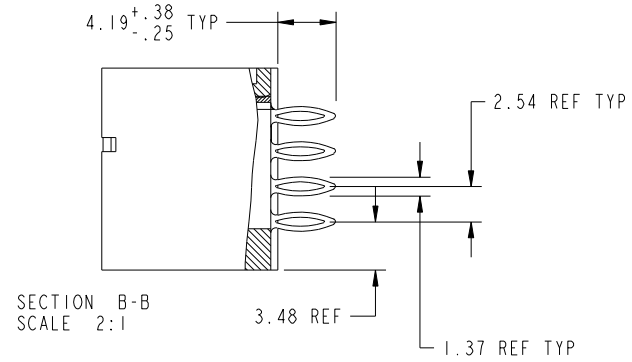
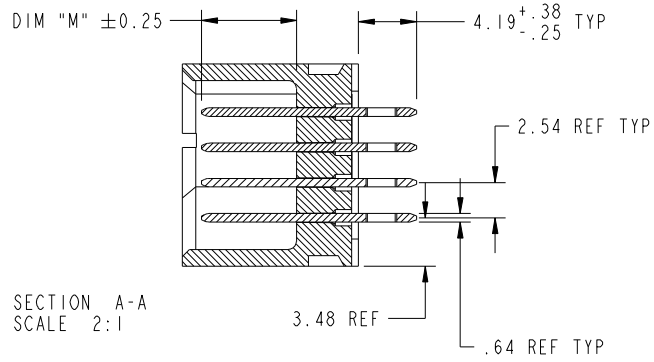
mat'l code				tolerances unless otherwise specified		CUSTOMER			
ltr	ecn no.	dr	date	linear	0.X ± 0.3	COPY		www.fciconnect.com	
A	DG06-0473	JMG	11/13/06	angles	0.XX ± 0.13	projection		title 32S + 8P	
				dr	0.XXX ± 0.051			VERTICAL PRESS-FIT HEADER	
				enr	0° ± 2°	MIM		product family PwrBlade code 213	
				chr	JM GUO 11/14/06	scale 1:1		size A	
				appd	RYAN YUAN 11/14/06			dwg no 51952-106 sheet 1 of 4	
					BEER FU 11/14/06				
					JOSEPH HSIA 11/14/06				
sheet index	revision sheet	A 1	A 2	A 3	A 4			cage code 22526	

Tous droits strictement reserves. Reproduction ou communication a des tiers interdite sous quelque forme que ce soit sans autorisation écrite du propriétaire. Propriete de c FCI. Droits de reproduction FCI.



All rights strictly reserved. Reproduction or issue to third parties in any form whatever is not permitted without written authority from the proprietor. Property of FCI. Copyright FCI.

PRODUCT NUMBER
51952-106__
NOTE 3



SECTION C-C
SCALE 2:1

mat'l code				tolerances unless otherwise specified		CUSTOMER		 www.fciconnect.com	
ltr	ecn no.	dr	date	linear	0.X ±0.3	COPY		title	
A					0.XX ±0.13	projection		32S + 8P	
				angles	0.XXX ±0.051			VERTICAL PRESS-FIT HEADER	
				dr	0° ±2°			product family PwrBlade code	
				enr	JM GUO 11/14/06	scale		213	
				chr	RYAN YUAN 11/14/06	1:1		sheet	
				appd	BEER FU 11/14/06	A		51952-106	
					JOSEPH HSIA 11/14/06			2 of 4	
sheet index		revision sheet							

cage code 22526

Pro/E

Tous droits strictement reserves. Reproduction ou communication a des tiers interdite sous quelque forme que ce soit sans autorisation écrite du propriétaire. Propriete de c FCI. Droits de reproduction FCI.



All rights strictly reserved. Reproduction or issue to third parties in any form whatever is not permitted without written authority from the proprietor. Property of FCI. Copyright FCI.

PRODUCT NUMBER
51952-106--
NOTE 3

NOTES:

1. DIMENSIONS AND TOLERANCES ARE IN ACCORDANCE WITH ASME Y14.5M, 1994 UNLESS OTHERWISE SPECIFIED.

CONNECTOR NOTES:

- 2 HOUSING MATERIAL: UL 94 V-0 GLASS FILLED
HIGH-TEMP THERMOPLASTIC
POWER CONTACT MATERIAL: COPPER ALLOY
SIGNAL PIN MATERIAL: COPPER ALLOY
 - 3. PLATING:
51952-106 ,51952-106LF PLATING SPEC. WAS SHOWN IN THE PRINT OF 10064183.
 - 4 MANUFACTURER'S NAME, P/N, AND DATE CODE TO APPEAR ON THIS SURFACE.
 - 5. PRODUCT SPECIFICATION GS-12-149.
APPLICATION SPECIFICATION BUS-20-067.
 - 6. PACKAGED IN TRAYS.
- PCB NOTES:
- 7. ALL HOLE DIAMETERS ARE FINISHED HOLE SIZE.
 - 8. MOUNTING HOLES, WHERE APPLICABLE, ARE UNPLATED.
 - 9 $\varnothing 1.151 \pm 0.025$ DRILLED HOLES PLATED WITH
0.008 MIN SnPb OR Sn OVER .001 [0.03]
TO 0.08 Cu PLATING TO ACHIEVE
 $\varnothing 1.02 \pm .07$ HOLE.
 - 10 "DIM XXX" TO BE DETERMINED BY THE CUSTOMER.
 - 11 CONNECTOR KEEP-OUT ZONE.
 - 12. FOR PRESS FIT APPLICATION USE FCI CAM TOOL 430169-XXX.

mat'l code				tolerances unless otherwise specified		CUSTOMER			
ltr	ecn no.	dr	date	linear	0.X ± 0.3	COPY		www.fciconnect.com	
A				linear	0.XX ± 0.13	projection		title 32S + 8P	
				angles	0.XXX ± 0.051			VERTICAL PRESS-FIT HEADER	
				dr	0° ± 2°	MIM		product family PwrBlade code	
				enr	JM GUO 11/14/06	← MIM →		size 213	
				chr	RYAN YUAN 11/14/06	scale		dwg no 51952-106 sheet	
				appd	BEER FU 11/14/06	1:1		4 of 4	
					JOSEPH HSIA 11/14/06				
sheet index	revision sheet								

cage code 22526

Pro/E