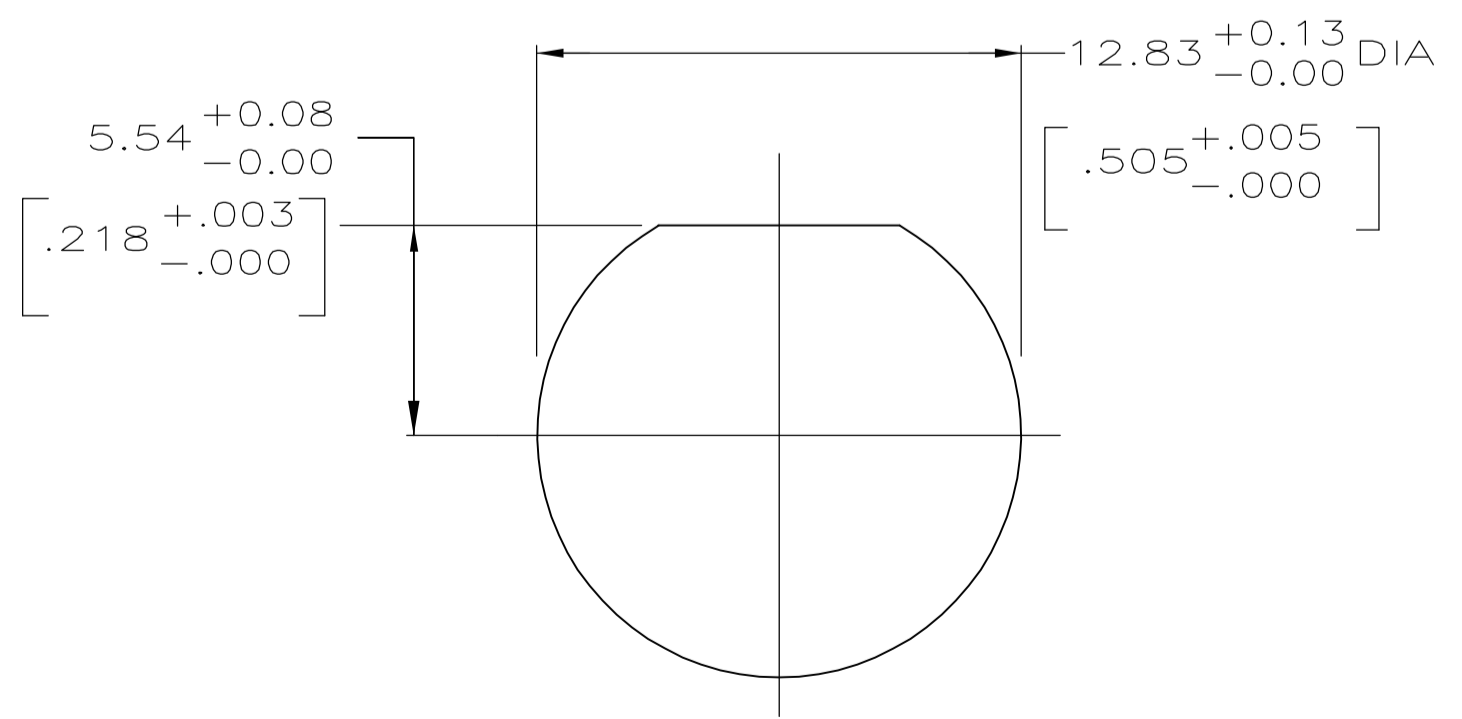
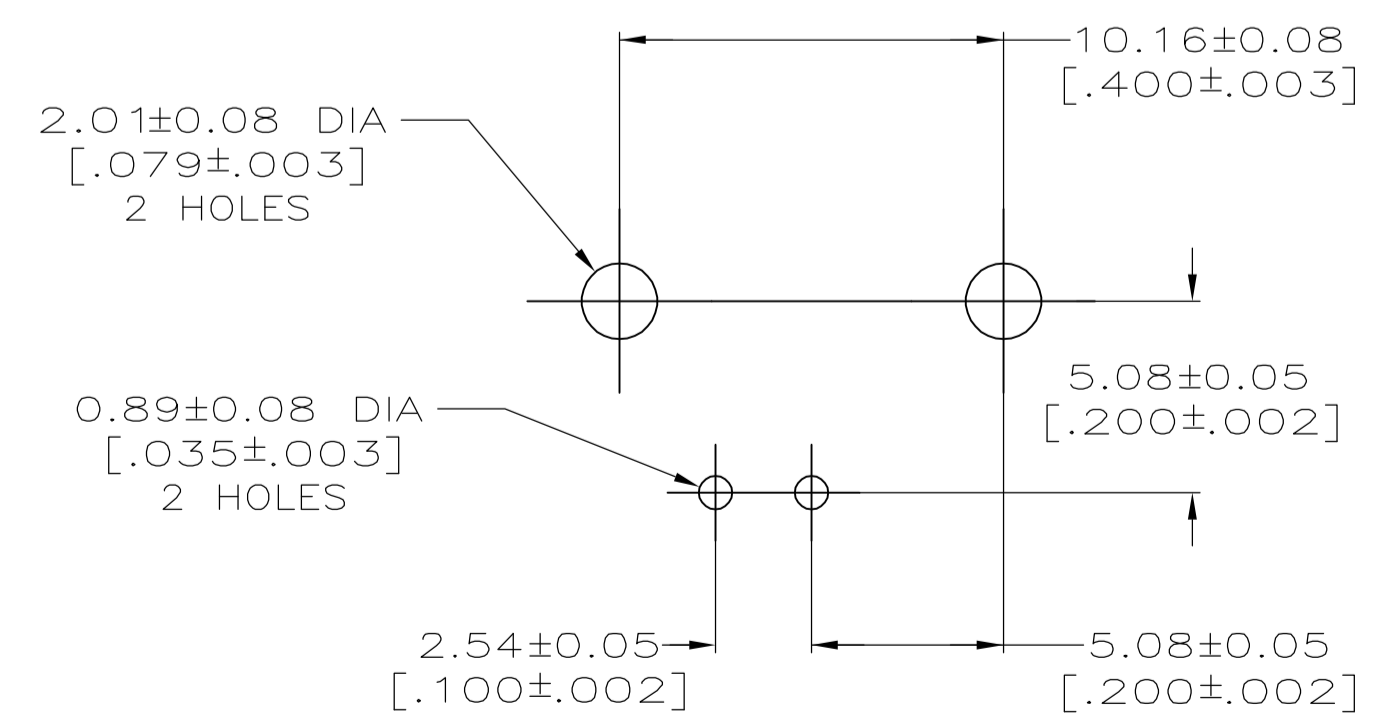
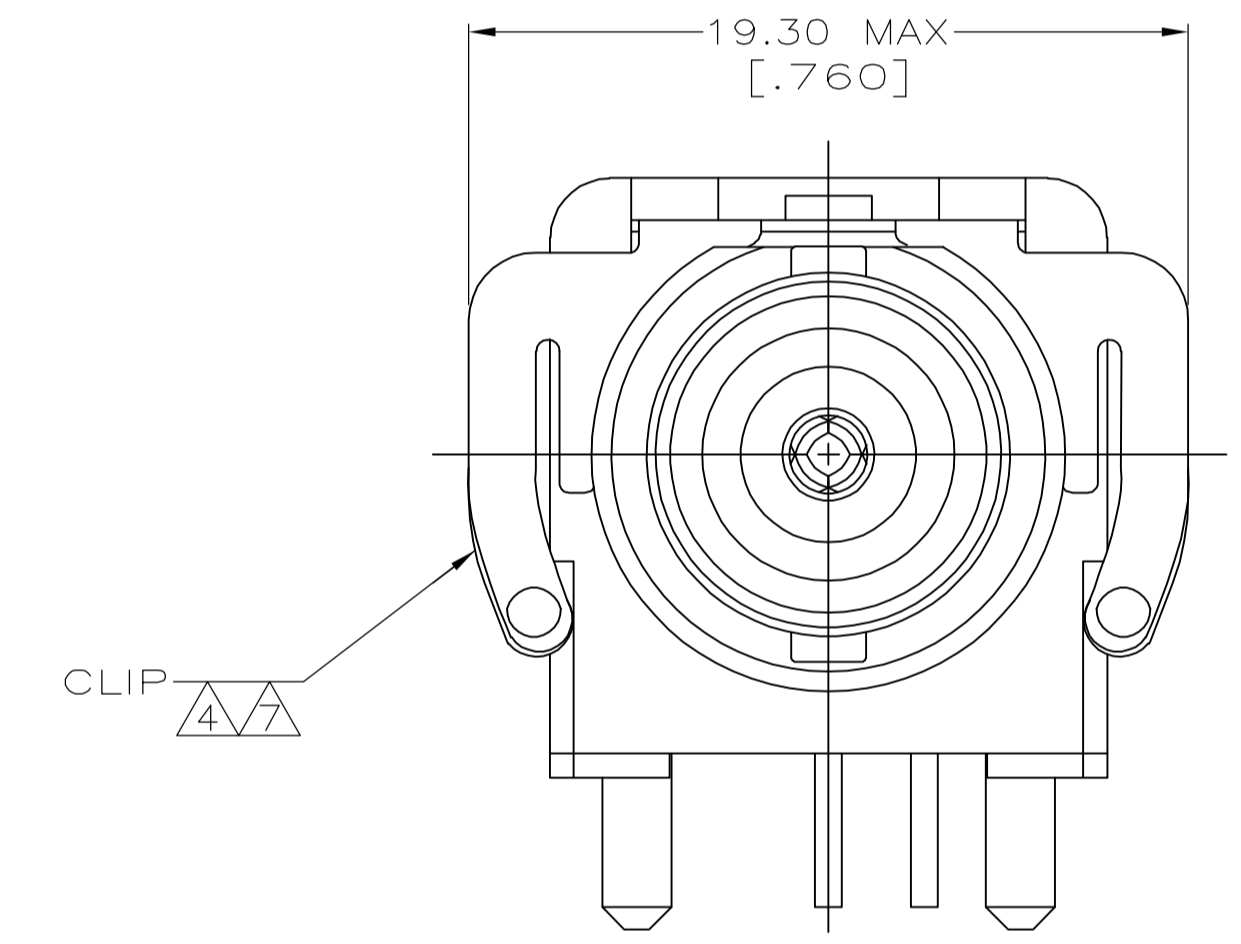
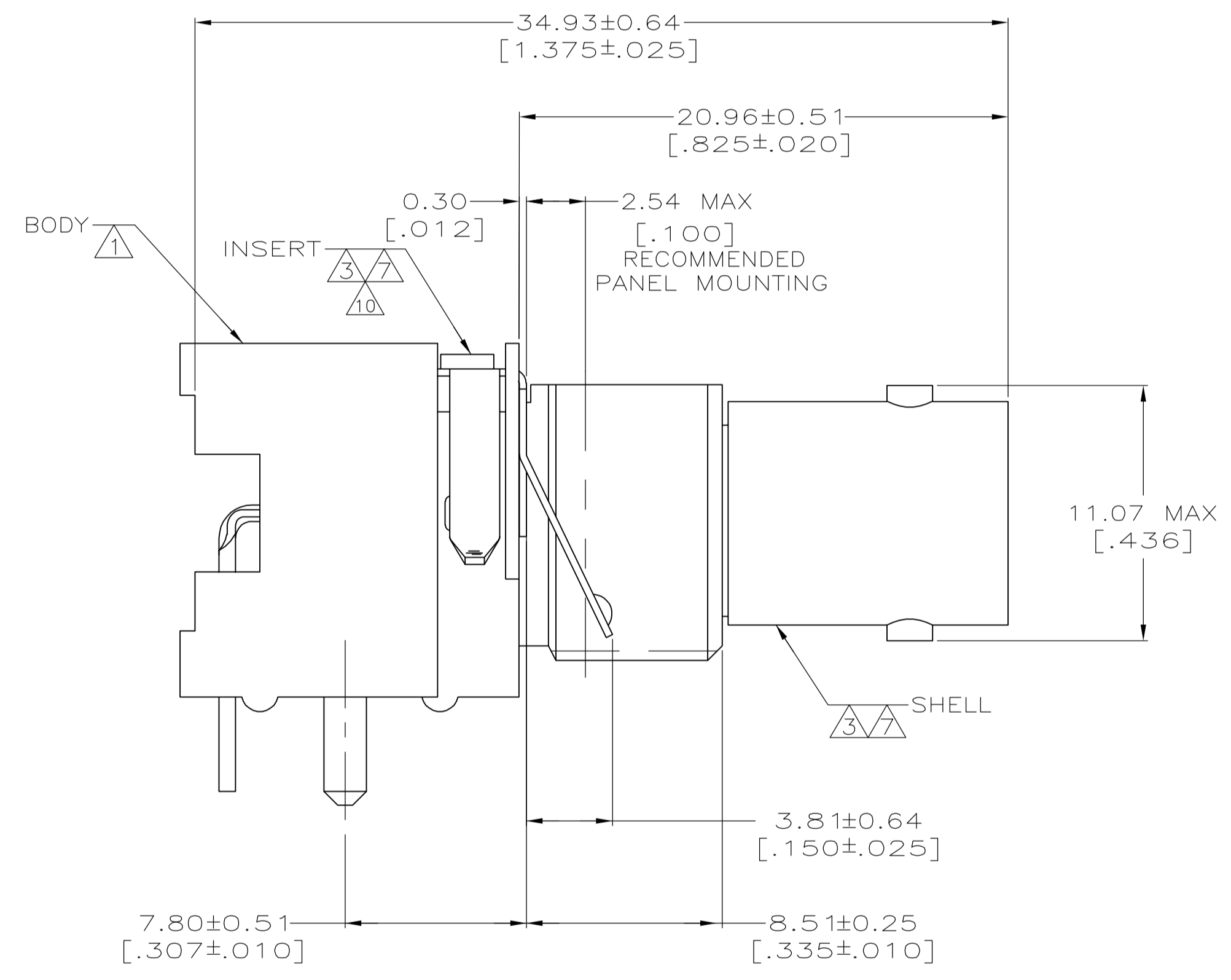
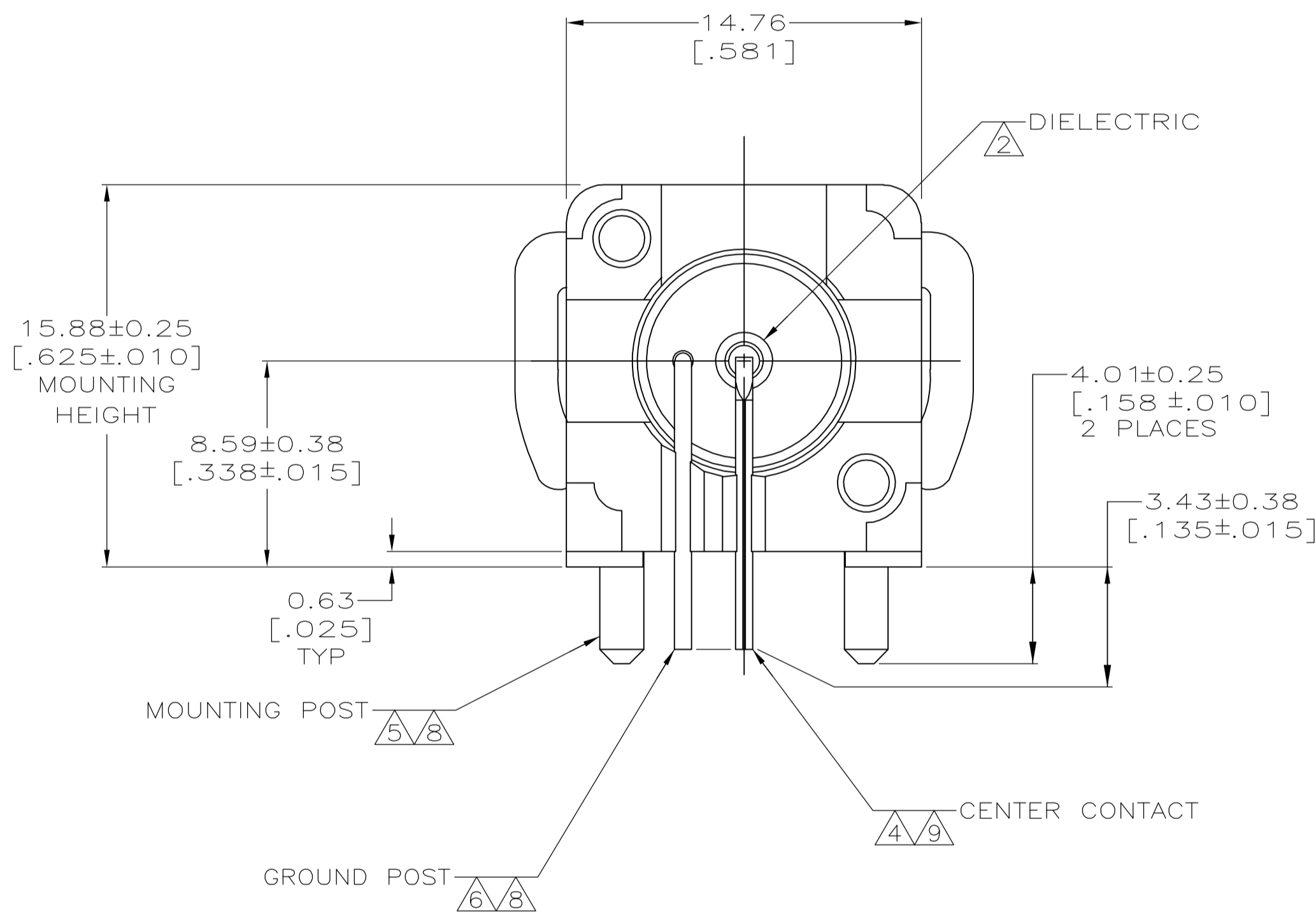


- 1 POLYESTER, PBT, BLACK, PER MIL-M-24519.
- 2 POLYMETHYLPENTENE GENERAL PURPOSE.
- 3 ZINC PER QQ-Z-363.
- 4 PHOSPHOR BRONZE PER QQ-B-750.
- 5 BRASS PER QQ-B-626.
- 6 BRASS PER ASTM-B-453.
- 7 NICKEL PL PER QQ-N-290.
- 8 TIN PLATE PER ASTM-B-545.
- 9 SELECTIVELY GOLD PLATED ON INTERFACE AREA PER ASTM-B-488, 0.76 [.000030] THICK, TIN PLATED ON SOLDER TAIL PER ASTM-B-545, ALL OVER NICKEL PLATE PER QQ-N-290.
- 10 ESD DEVICE, VOLTAGE BREAKDOWN <3.5KVDC.



PCB CONFIGURATION

RECOMMENDED PANEL CUTOUT

9400 pf, 1500 VDC	5415085-1
CAPACITANCE & VOLTAGE	PART NO

THIS DRAWING IS A CONTROLLED DOCUMENT.		DWN J. ALCORTA - 27APR2005	 Tyco Electronics Corporation Harrisburg, PA 17105-3608
DIMENSIONS: mm [INCHES]		CHK J. HAVENER - 27APR2005	
TOLERANCES UNLESS OTHERWISE SPECIFIED:		APPD J. LIPPERT - 27APR2005	NAME
0 PLC ± -	1 PLC ± -	PRODUCT SPEC	JACK, DECOUPLER, PCB
2 PLC ± -	3 PLC ± -	APPLICATION SPEC	RIGHT ANGLE, STANDARD,
4 PLC ± -	ANGLES ± -	SIZE	ESD PROTECTED, 75 OHM BNC
MATERIAL SEE NOTES 1 - 6	FINISH SEE NOTES 7,8,9,10	WEIGHT	RESTRICTED TO
CUSTOMER DRAWING		A1 00779	SCALE 5:1 SHEET 1 OF 1 REV A