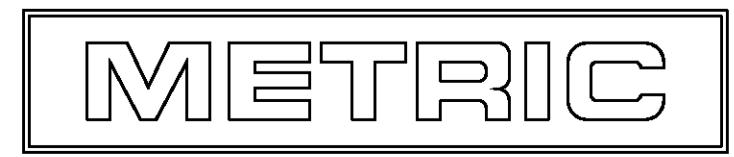
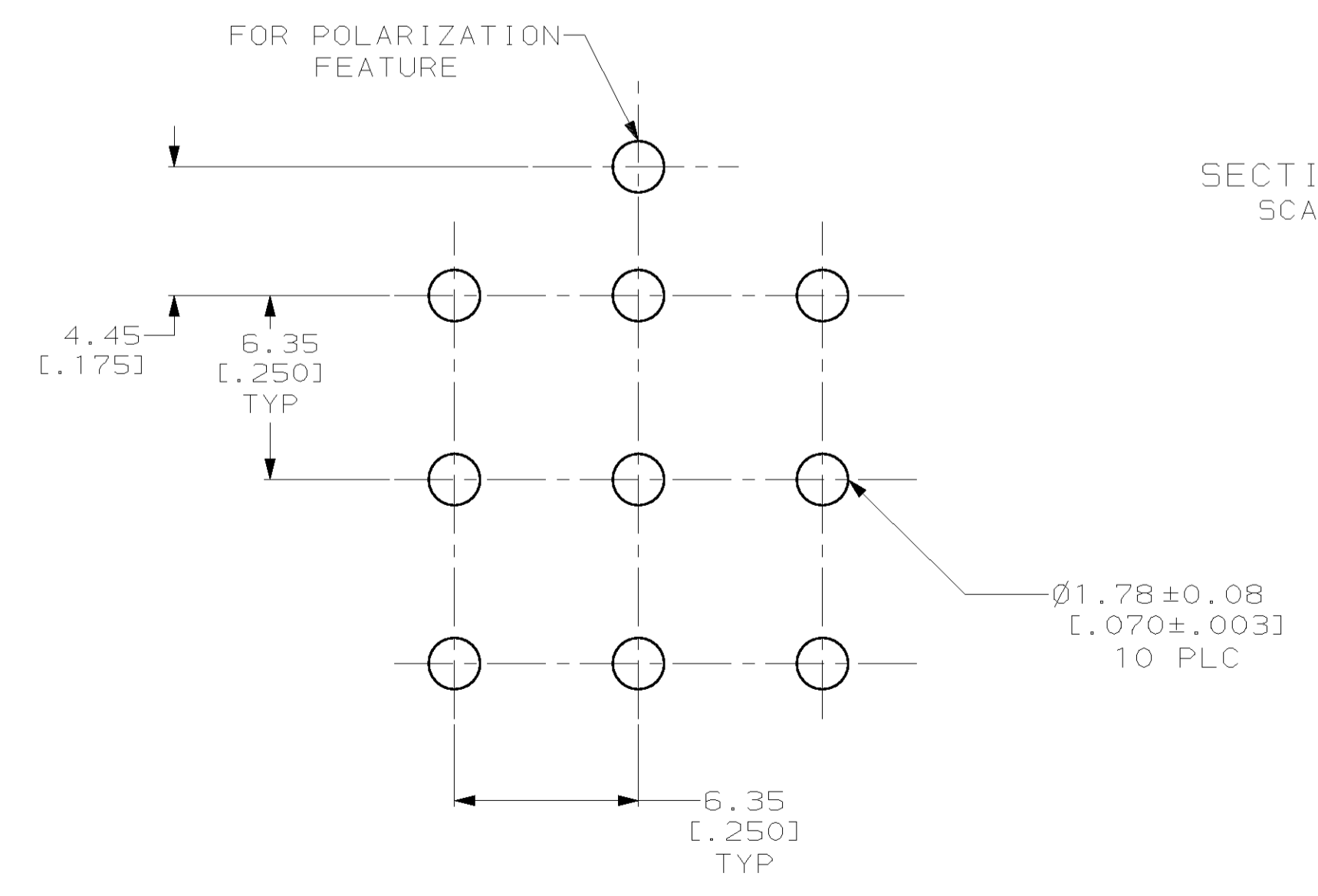
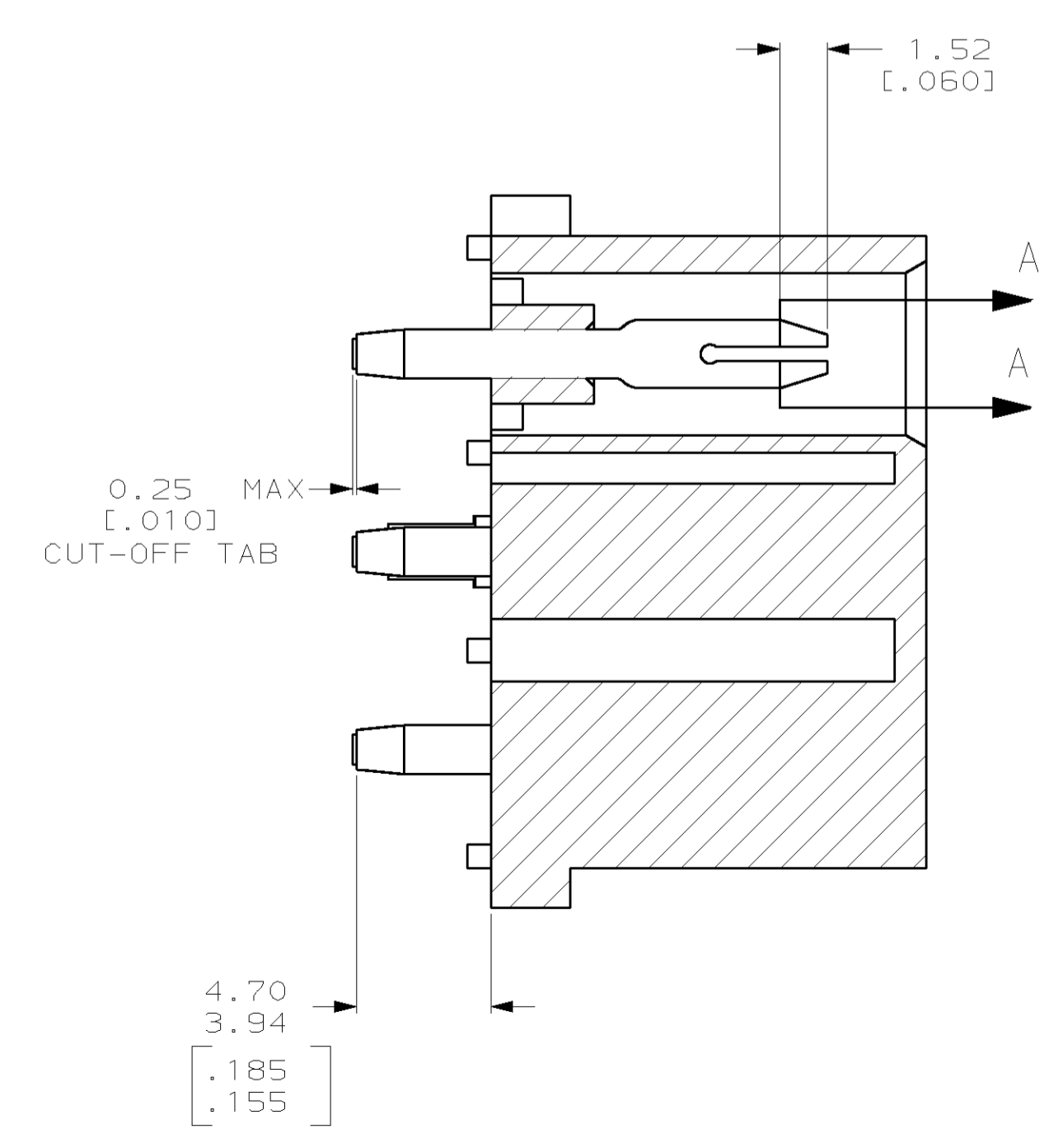
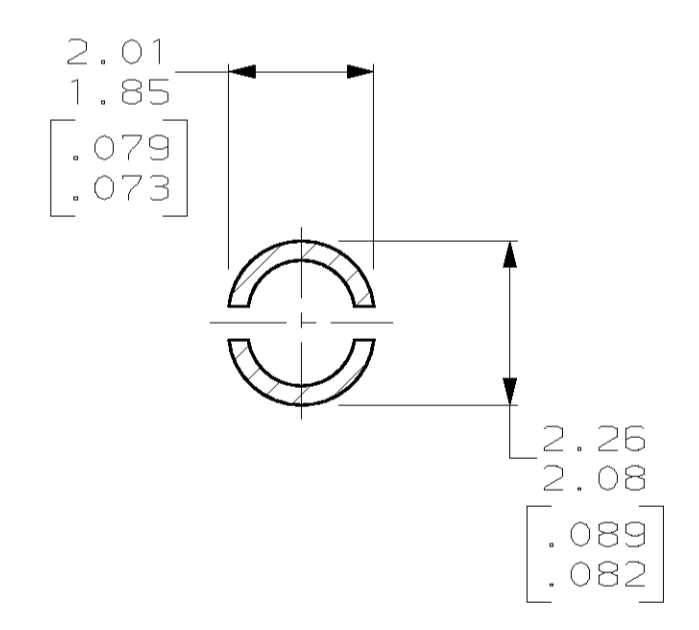
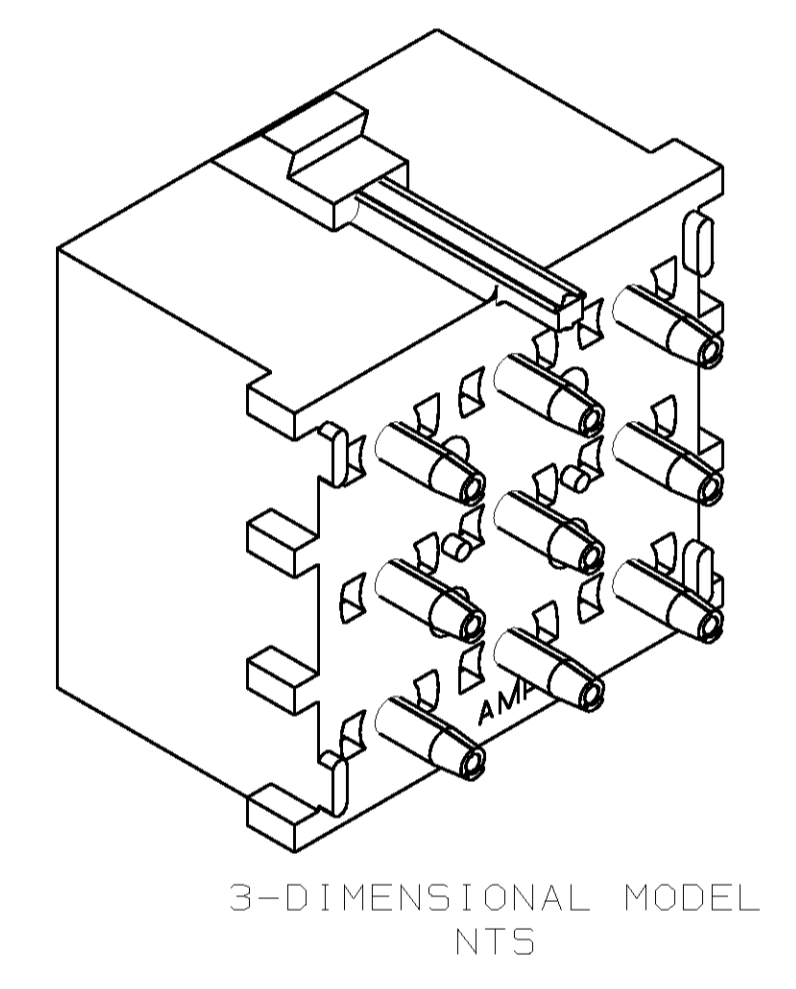
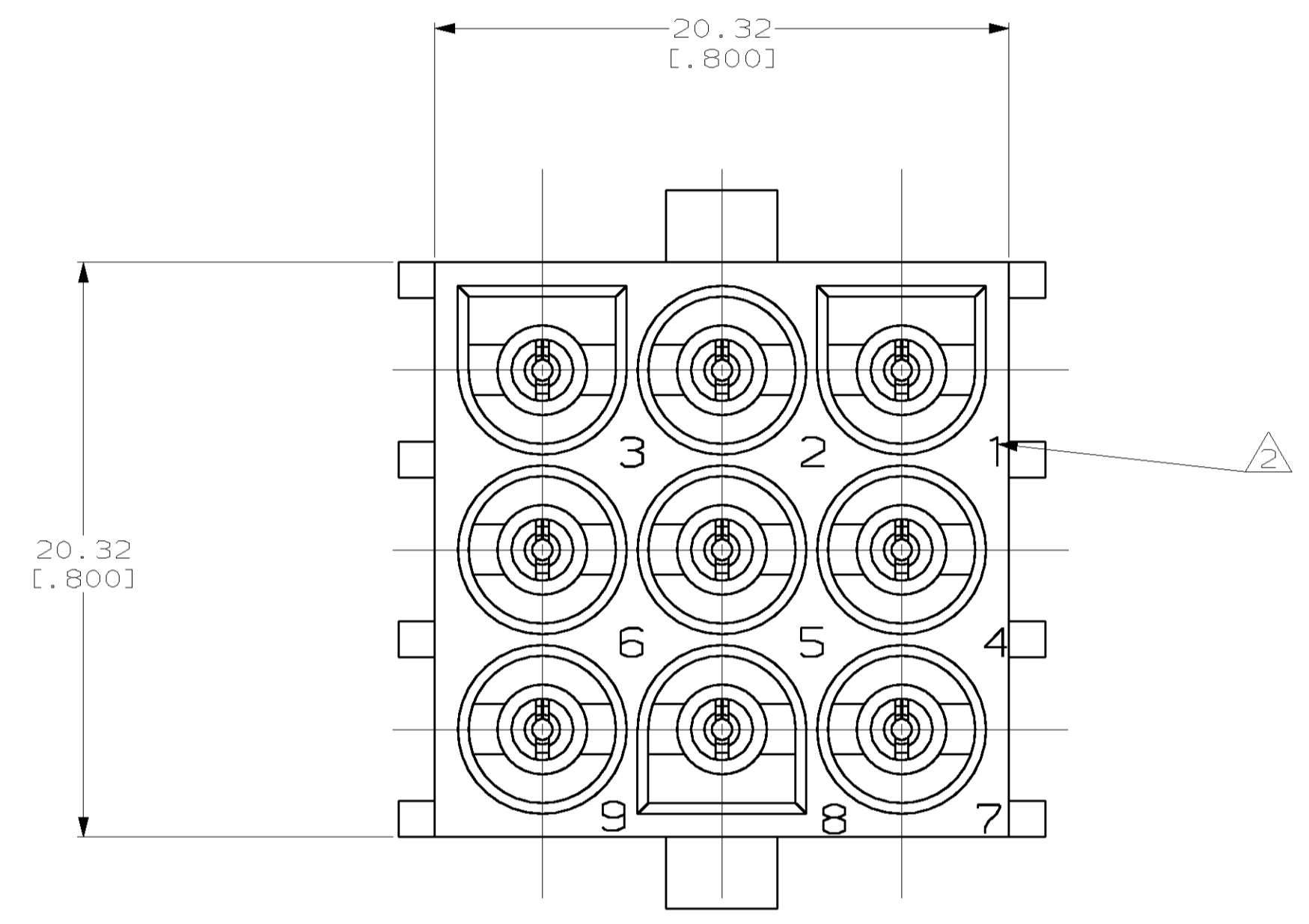
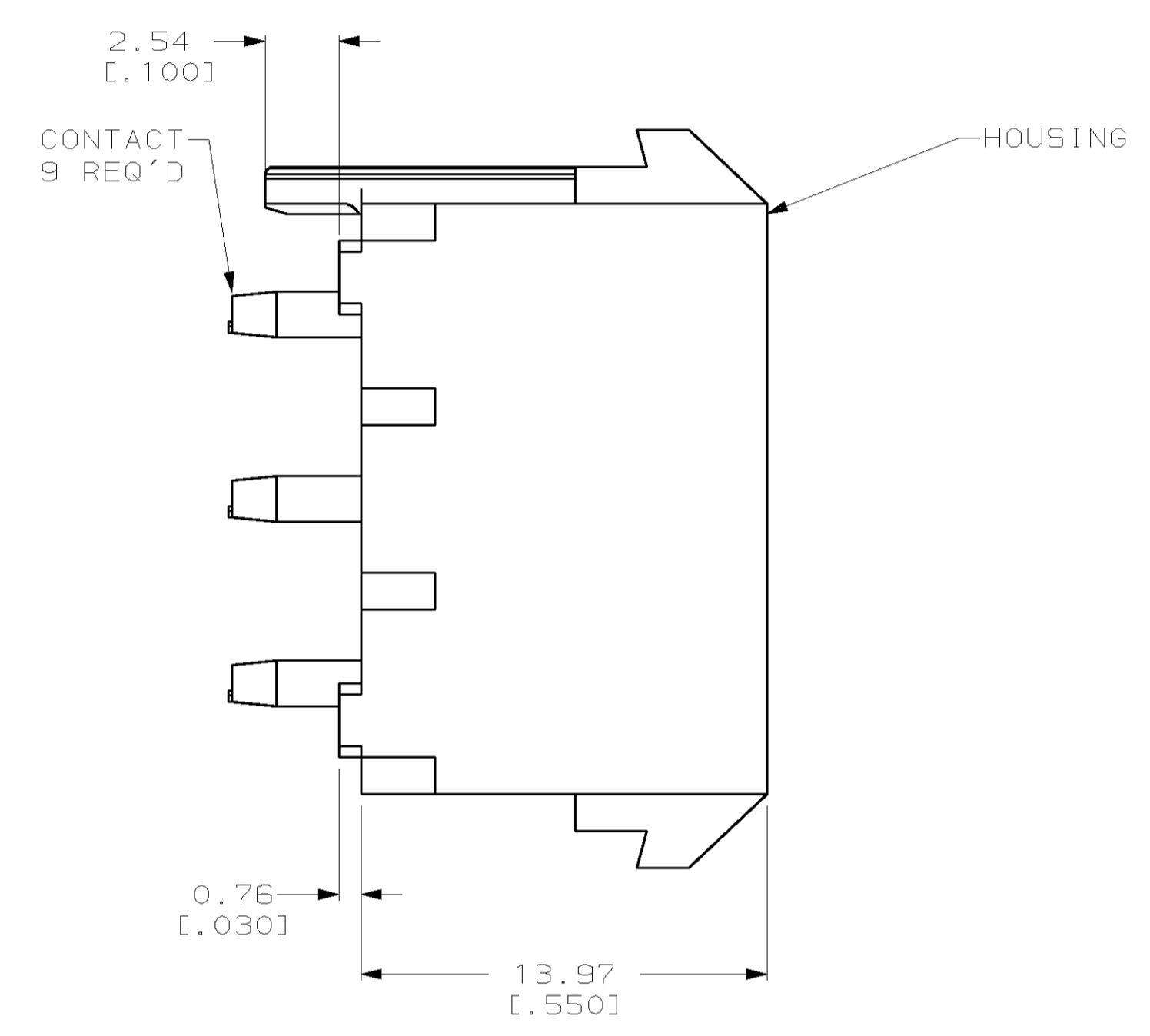
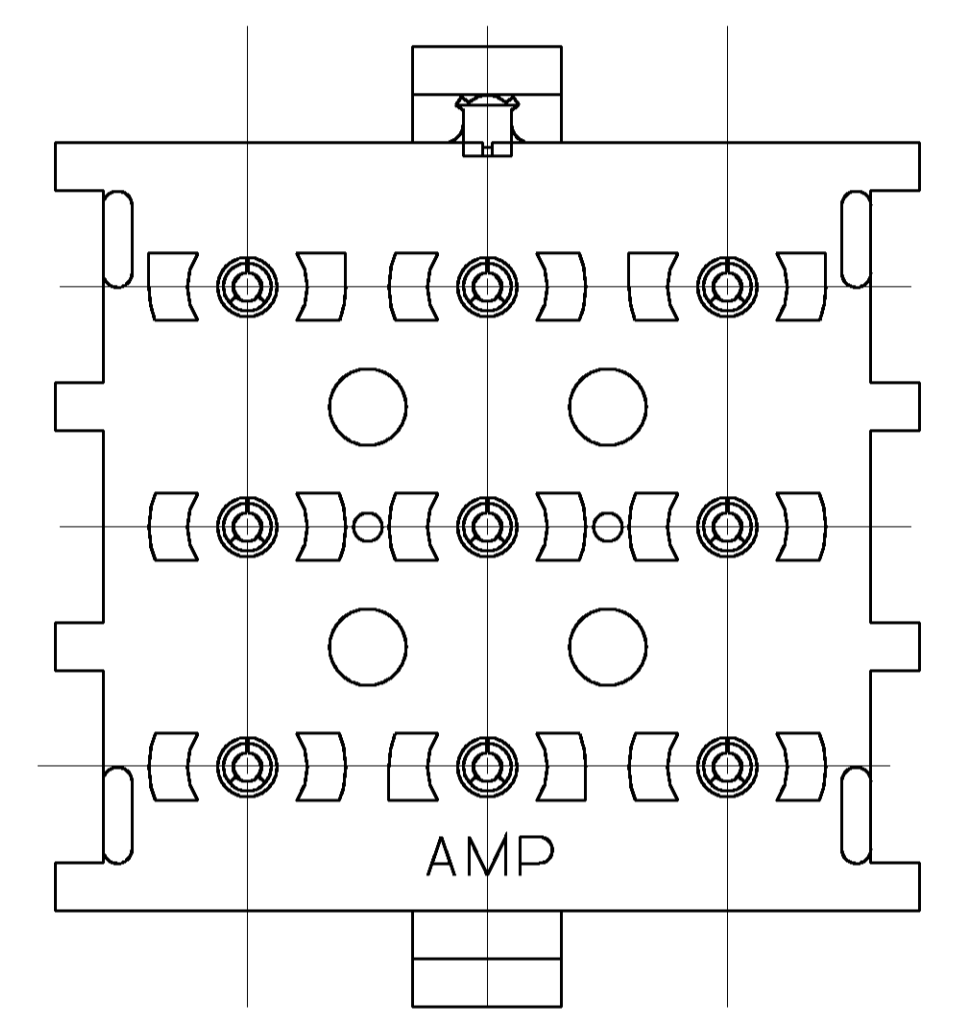


LOC	DIST	REV	DESCRIPTION	DATE	OWN	APPROV
CM	53	A	REVISED PER EC 0638-0070-03	13-FEB-03	KW	SR

- PARTS COMPLY WITH AMP SOLDERABILITY SPECIFICATION 109-11-3.
- CIRCUIT IDENTIFICATION CHARACTERS ARE ADJACENT TO THE INDICATED CAVITIES, BUT LOCATION AND ORIENTATION MAY DIFFER FROM PRINT.
- DIMENSIONS IN BRACKETS ARE IN INCHES.
- 150 C TEMPERATURE RATING FOR THIS HOUSING IS FOR SHORT TERM DURATION. MAX OPERATING TEMPERATURE REMAINS 125 C.



PH BRZ	TIN PLATED	NYLON, UL94V-2	BLACK	794603-1
MATERIAL	FINISH	MATERIAL	COLOR	PART NO
PIN		HOUSING		
THIS DRAWING IS A CONTROLLED DOCUMENT.		AMP Incorporated Harrisburg, PA 17105-3608		
DIMENSIONS: INCHES		TOLERANCES UNLESS OTHERWISE SPECIFIED:		
0 PLC ±-		1 PLC ±-		
1 PLC ±-		2 PLC ±-		
2 PLC ±-		3 PLC ±0.13 [.005]		
3 PLC ±-		4 PLC ±-		
4 PLC ±-		ANGLES		
MATERIAL	SEE TABLE	FINISH	SEE TABLE	WEIGHT
CUSTOMER DRAWING		SCALE	5:1	SHEET 1 OF 1
REV A		REV A		