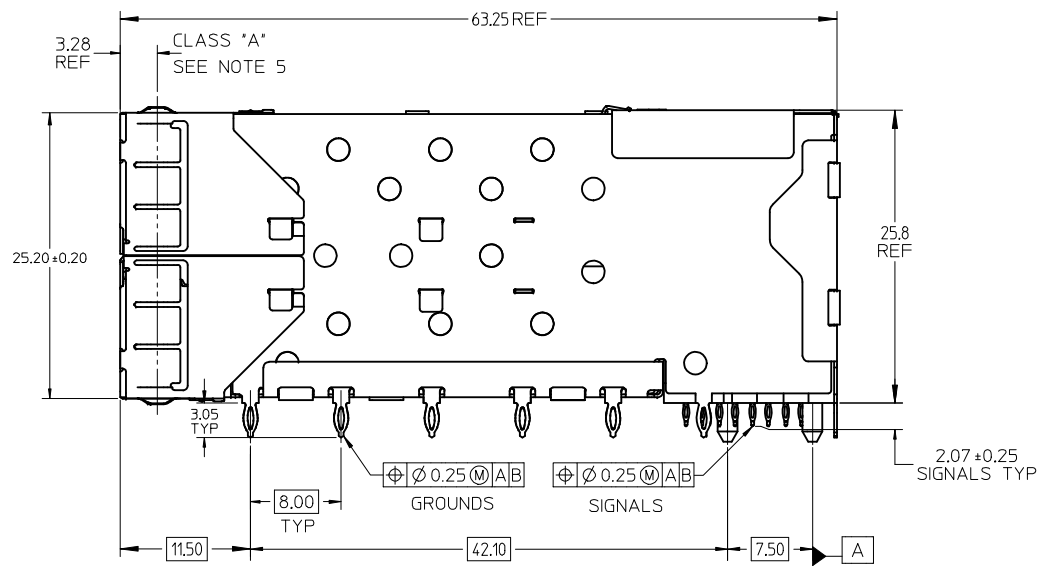


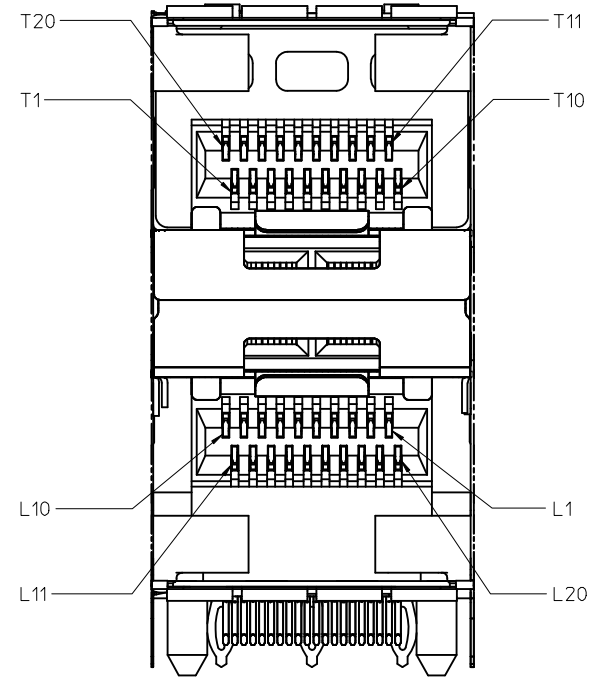
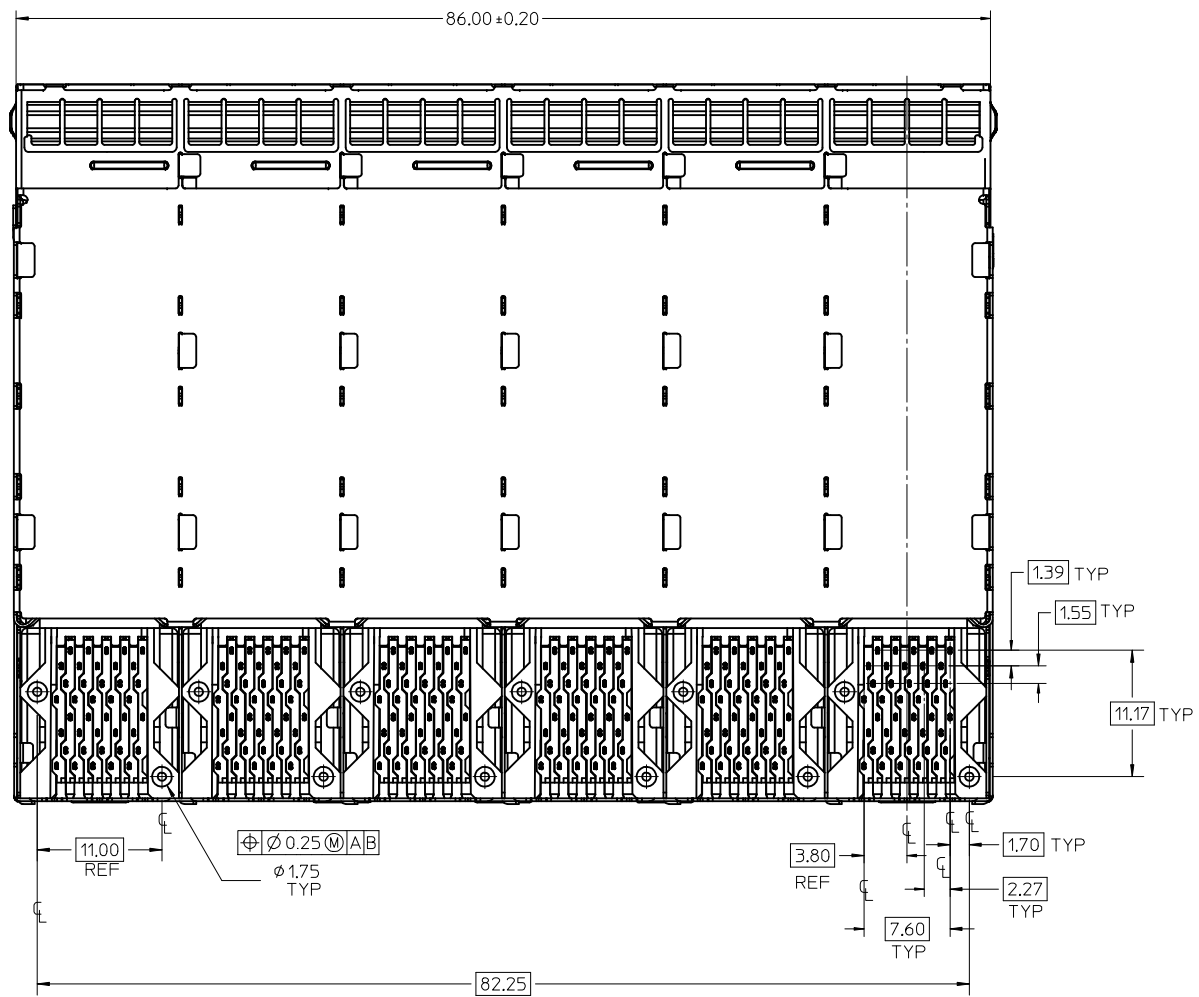
MATERIAL NO.	TAIL PLATING
760680001	MATTE TIN / LEAD
760685001	MATTE TIN

- NOTES:
- MATERIAL:
    - CAGE: NICKEL SILVER, THICKNESS: 0.25mm
    - CONNECTOR HOUSING: GLASS FILLED LIQUID CRYSTAL POLYMER (LCP), UL 94V-0, COLOR: BLACK
    - OVERMOLD TERMINAL HOUSING: GLASS FILLED LIQUID CRYSTAL POLYMER (LCP), UL 94V-0, COLOR: BLACK
    - TERMINALS: TIN BRASS
    - EMI GASKET: CONDUCTIVE ELASTOMER
  - FINISHES:
    - TERMINALS: CONTACT AREA: 0.76 MICROMETERS MINIMUM HARD GOLD OVER 1.27 MICROMETERS MINIMUM NICKEL.
    - COMPLIANT TAIL - MATTE TIN/LEAD OPTION: 0.76 TO 1.52 MICROMETERS 90/10 MATTE TIN-LEAD OVER 0.76 MICROMETERS MINIMUM NICKEL.
    - COMPLIANT TAIL - MATTE TIN OPTION: 0.76 TO 1.52 MICROMETERS MATTE TIN OVER 0.76 MICROMETERS MINIMUM NICKEL.
  - REFER TO PS-75310-001 PRODUCT SPEC FOR ALL ELECTRICAL, MECHANICAL AND ENVIRONMENTAL SPECIFICATIONS.
  - REFER TO PK-75451-001 FOR ALL PACKAGING SPECIFICATIONS.
  - ALL EXTERIOR SURFACES TO BE CLASS "B" SURFACE EXCEPT THE UNDER SIDE OF THE CAGE WHERE THE PCB WOULD BE LOCATED AND AS NOTED. THE SURFACES TO CONFORM TO THE MOLEX COSMETIC DOC PS-45499-002.
  - REFER TO AS-76090-001 FOR HIGH SPEED ROUTING RECOMMENDATIONS.
  - DATE CODE LOCATION IS SHOWN ABOVE.
    - DATE CODE FORMAT: DDDY MX A1
    - DDD = DAY OF THE YEAR
    - Y = YEAR
    - MX = MOLEX
    - A = ALPHA CHARACTER - INDICATES MANUFACTURING LINE
    - 1 = NUMERIC CHARACTER - INDICATES PRODUCTION SHIFT



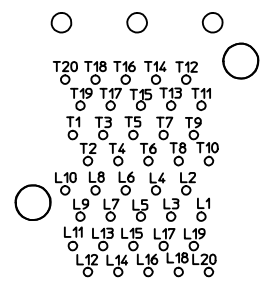
UPDATE BOTTOM VIEW (SHT 2) EC NO: UCP2014-4806 DRW:RWHIPPLE 2014/05/16 CHK:D8BARKER 2014/05/16 APPR:SMILLER 2014/05/22	QUALITY SYMBOLS ∇=0 ∇=0 ∇=0	GENERAL TOLERANCES (UNLESS SPECIFIED)		DIMENSION STYLE <b>MM ONLY</b>		SCALE <b>3:1</b>	DESIGN UNITS <b>METRIC</b>	THIRD ANGLE PROJECTION	
		4 PLACES ± --- ± --- 3 PLACES ± --- ± --- 2 PLACES ± 0.13 ± --- 1 PLACE ± 0.25 ± --- 0 PLACE ± ±	mm INCH	DRAWN BY JLONG	DATE 09/05/2007	TITLE <b>STACKED SFP+ 2X6 ASS'Y WITH METAL EMI GASKET</b>			
		ANGULAR ± 5 °		CHECKED BY JLONG	DATE 09/05/2007	DOCUMENT NO. <b>SD-76068-001</b>			
		DRAFT WHERE APPLICABLE MUST REMAIN WITHIN DIMENSIONS		APPROVED BY MBANAKIS	DATE 09/05/2007			SHEET NO. 1 OF 4	

MATERIAL NO. **SEE TABLE**  
 THIS DRAWING CONTAINS INFORMATION THAT IS PROPRIETARY TO MOLEX INCORPORATED AND SHOULD NOT BE USED WITHOUT WRITTEN PERMISSION

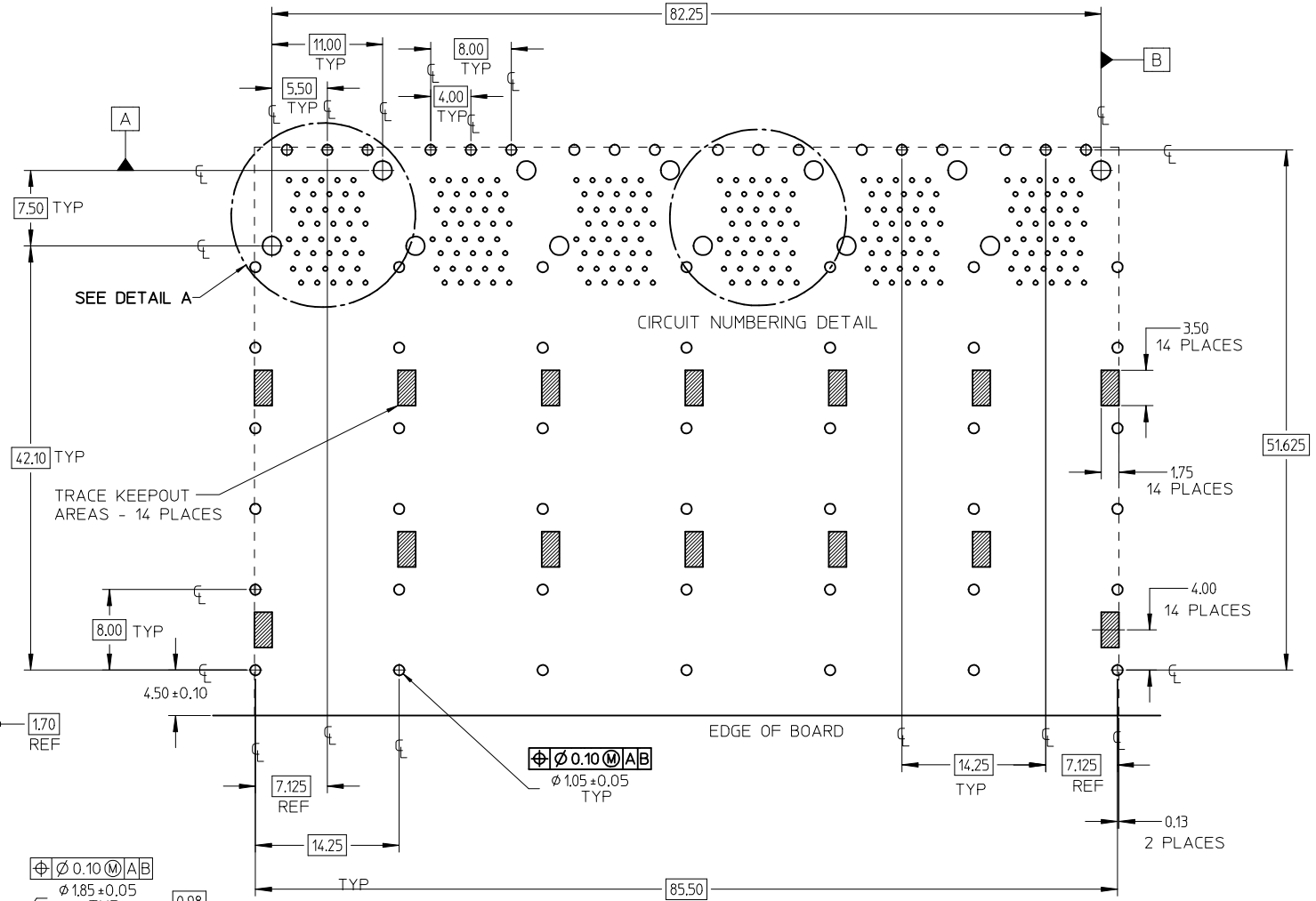


DETAIL B  
SCALE 6:1  
CIRCUIT NUMBERING

SEE SHEET 1 EC NO: UCP2014-4806 DRWN:RWHIPPLE 2014/05/16 CHKD:BBARKER 2014/05/16 APPR:SMILLER 2014/05/22	QUALITY SYMBOLS	GENERAL TOLERANCES (UNLESS SPECIFIED)	DIMENSION STYLE <b>MM ONLY</b>	SCALE <b>3:1</b>	DESIGN UNITS <b>METRIC</b>	THIRD ANGLE PROJECTION
	▽=0	mm INCH	DRAWN BY DATE	TITLE	<b>STACKED SFP+ 2X6 ASS'Y WITH METAL EMI GASKET</b>	
	▽=0	4 PLACES ± --- ± ---	JLONG 09/05/2007	3 PLACES ± --- ± ---		
	▽=0	2 PLACES ± 0.13 ± ---	CHECKED BY DATE	JLONG 09/05/2007	<b>molex</b> DOCUMENT NO. <b>SD-76068-001</b>	
▽=0	1 PLACE ± 0.25 ± ---	APPROVED BY DATE	MBANAKIS 09/05/2007	SHEET NO. <b>2 OF 4</b>		
REVISION	ANGULAR ± 5 °	DRAFT WHERE APPLICABLE MUST REMAIN WITHIN DIMENSIONS	MATERIAL NO.	THIS DRAWING CONTAINS INFORMATION THAT IS PROPRIETARY TO MOLEX. INCORPORATED AND SHOULD NOT BE USED WITHOUT WRITTEN PERMISSION		



CIRCUIT NUMBERING DETAIL  
 SCALE 5:1

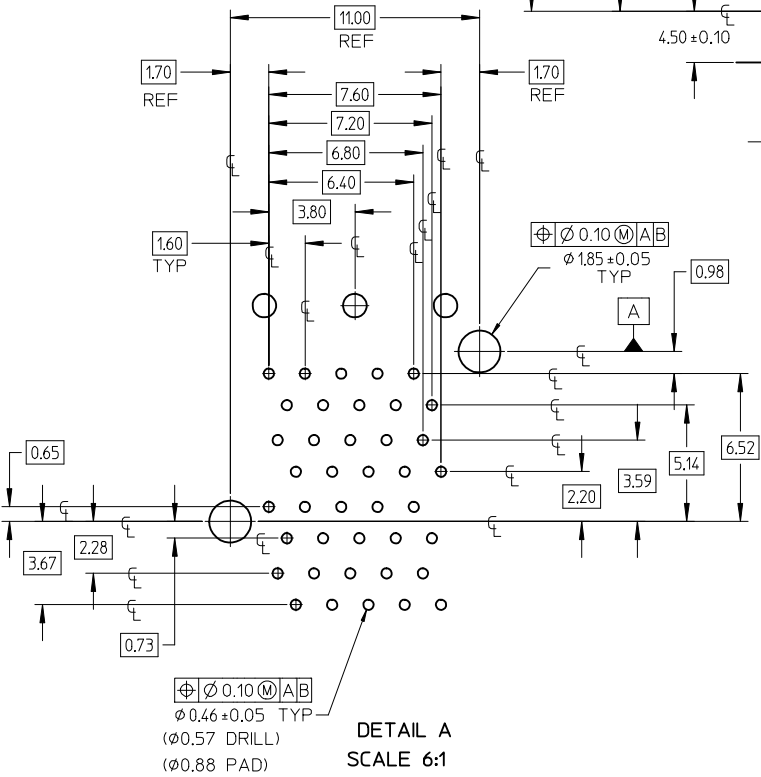


SEE DETAIL A

CIRCUIT NUMBERING DETAIL

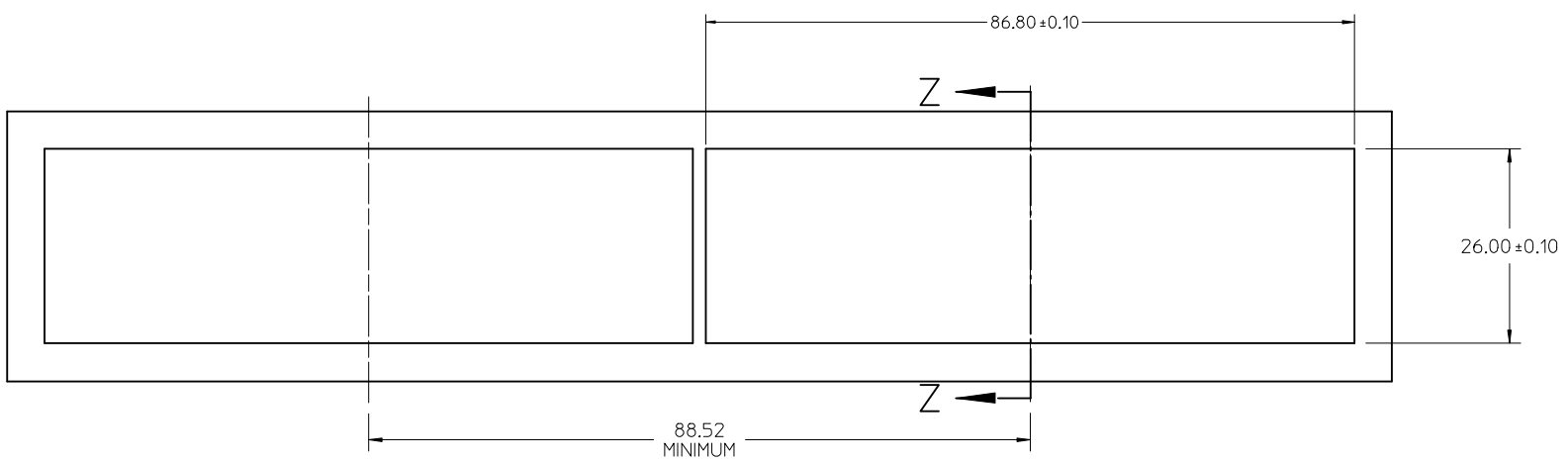
TRACE KEEPOUT AREAS - 14 PLACES

RECOMMENDED PCB LAYOUT - COMPONENT SIDE  
 RECOMMENDED PCB THICKNESS - 2.36 MM (.093 INCH)  
 THE ENTIRE AREA OF CONNECTOR FOOTPRINT  
 TO BE CONSIDERED THE KEEP OUT AREA FOR COMPONENTS  
 THIS AREA IS INDICATED BY THE DASHED LINE

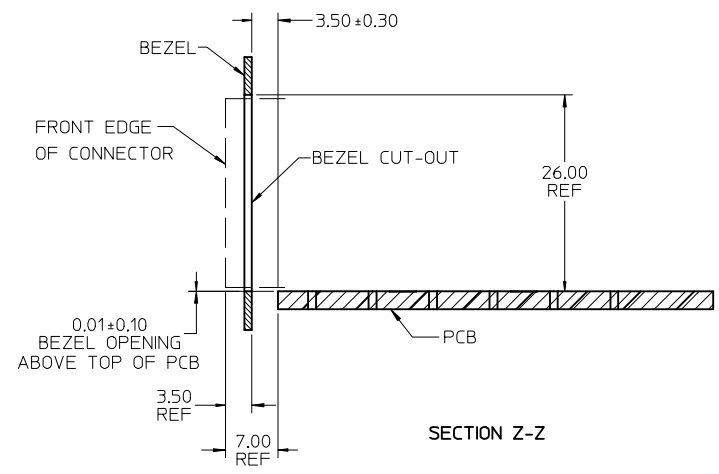


DETAIL A  
 SCALE 6:1

<b>SEE SHEET 1</b> EC NO: UCP2014-4806 DRWNR:WHIPPLE 2014/05/16 CHKD:BBARKER 2014/05/16 APPR:SMILLER 2014/05/22	QUALITY SYMBOLS $\nabla = 0$ $\nabla = 0$ $\nabla = 0$	GENERAL TOLERANCES (UNLESS SPECIFIED) <table border="1"> <tr> <th></th> <th>mm</th> <th>INCH</th> </tr> <tr> <td>4 PLACES</td> <td>± ---</td> <td>± ---</td> </tr> <tr> <td>3 PLACES</td> <td>± ---</td> <td>± ---</td> </tr> <tr> <td>2 PLACES</td> <td>± 0.13</td> <td>± ---</td> </tr> <tr> <td>1 PLACE</td> <td>± 0.25</td> <td>± ---</td> </tr> <tr> <td>0 PLACE</td> <td>±</td> <td>±</td> </tr> </table>		mm	INCH	4 PLACES	± ---	± ---	3 PLACES	± ---	± ---	2 PLACES	± 0.13	± ---	1 PLACE	± 0.25	± ---	0 PLACE	±	±	DIMENSION STYLE <b>MM ONLY</b> DRAWN BY DATE JLONG 09/05/2007 CHECKED BY DATE JLONG 09/05/2007 APPROVED BY DATE MBANAKIS 09/05/2007	SCALE <b>3:1</b> DESIGN UNITS <b>METRIC</b> THIRD ANGLE PROJECTION	TITLE <b>STACKED SFP+ 2X6 ASS'Y WITH METAL EMI GASKET</b>
		mm	INCH																				
	4 PLACES	± ---	± ---																				
	3 PLACES	± ---	± ---																				
2 PLACES	± 0.13	± ---																					
1 PLACE	± 0.25	± ---																					
0 PLACE	±	±																					
MATERIAL NO. <b>SEE SHEET 1</b>	DOCUMENT NO. <b>SD-76068-001</b>	SHEET NO. <b>3 OF 4</b>	<b>molex</b>																				
DRAFT WHERE APPLICABLE MUST REMAIN WITHIN DIMENSIONS						THIS DRAWING CONTAINS INFORMATION THAT IS PROPRIETARY TO MOLEX INCORPORATED AND SHOULD NOT BE USED WITHOUT WRITTEN PERMISSION																	



**BEZEL CUT-OUT DETAIL**  
BEZEL THICKNESS: 0.8 - 2.6



SEE SHEET 1 EC NO: UCP2014-4806 2014/05/16 DRW:RWHIPPLE 2014/05/16 CHKD:BBARKER 2014/05/16 APPR:SMILLER 2014/05/16	QUALITY SYMBOLS	GENERAL TOLERANCES (UNLESS SPECIFIED)	DIMENSION STYLE	SCALE	DESIGN UNITS	THIRD ANGLE PROJECTION
	▽=0	mm INCH	MM ONLY	2:1	METRIC	
	▽=0	4 PLACES ± --- ± ---	DRAWN BY DATE	TITLE		
	▽=0	3 PLACES ± --- ± ---	JLONG 09/05/2007	STACKED SFP+ 2X6 ASS'Y WITH METAL EMI GASKET		
	▽=0	2 PLACES ± 0.13 ± ---	CHECKED BY DATE	<b>molex</b> DOCUMENT NO. SD-76068-001 SHEET NO. 4 OF 4		
	1 PLACE ± 0.25 ± ---	JLONG 09/05/2007				
	0 PLACE ± ±	APPROVED BY DATE				
		MBANAKIS 09/05/2007				
		ANGULAR ± 5 °				
		DRAFT WHERE APPLICABLE MUST REMAIN WITHIN DIMENSIONS				
			SEE SHEET 1			
			THIS DRAWING CONTAINS INFORMATION THAT IS PROPRIETARY TO MOLEX INCORPORATED AND SHOULD NOT BE USED WITHOUT WRITTEN PERMISSION			