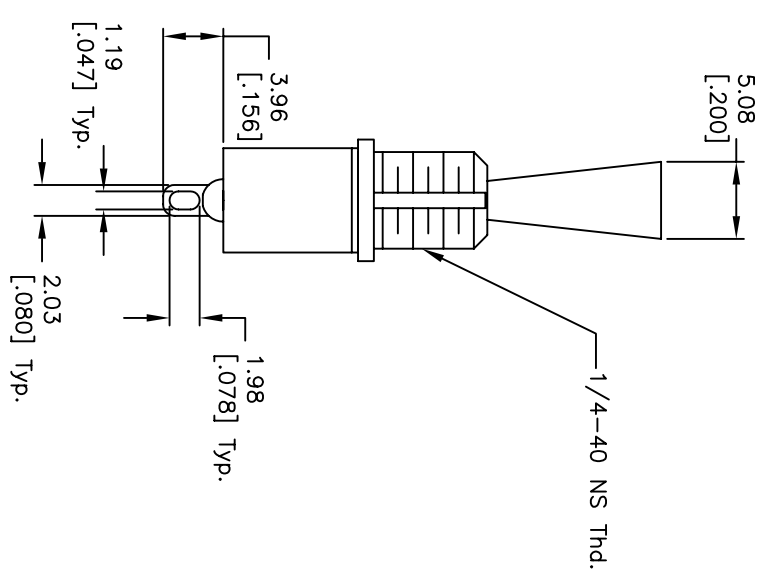
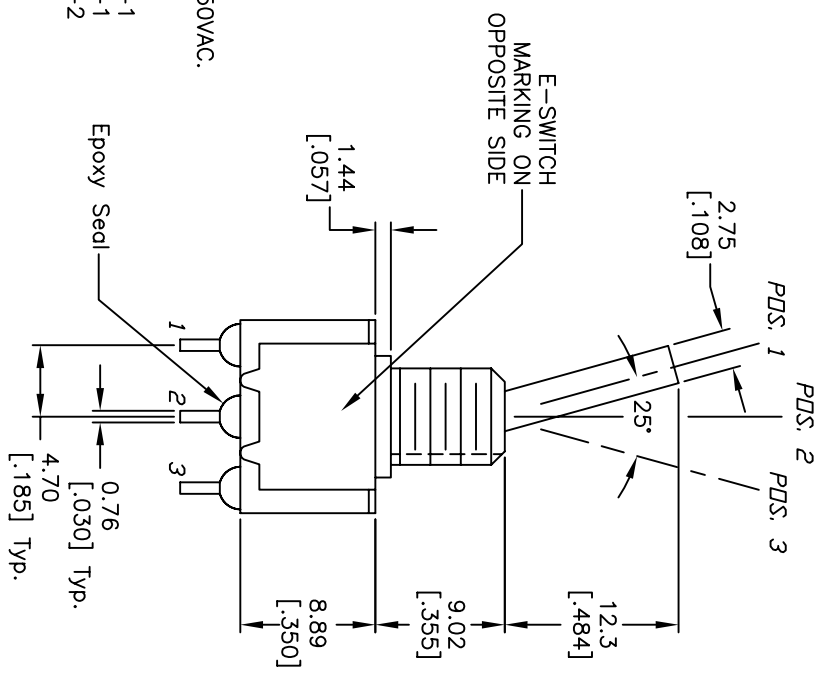


CIRCUIT: SPDT
CONTACT CONFIGURATION

SWITCH FUNCTION		
PDS. 1	PDS. 2	PDS. 3
DN	NDNE	DN
2-3	N/A	2-1



- NOTES:
1. ALL DIMENSIONS IN MM [INCH]
 2. GENERAL TOLERANCE: 0.0=±0.4
0.00=±0.25
 3. TERM. NOS. FOR REF. ONLY
 4. RATING: 5A @120VAC or 28VDC; 2A @250VAC.
 5. 2002/95/EC (ROHS) COMPLIANT
 6. HARDWARE TO BE SUPPLIED BULK:
T100011-LOCK WASHER QTY-1
T100015-LOCK RING QTY-1
T100000-HEX NUT QTY-2

REV.	ECN No.	DESCRIPTION	DATE	CHKD	CT
D	16058	EDIT SWITCH FUNCTION TABLE	5/30/06		CT
C	15876	EDIT ACTUATOR HEIGHT	3/17/06		PH
B	15537	DIM FROM 1.02 TO 1.44	11/16/05		PH
A	15503	RELEASED	11/7/05		PH
		THE INFORMATION CONTAINED IN THIS DOCUMENT IS PROPRIETARY TO E-SWITCH AND IS NOT TO BE COPIED OR TRANSFERRED			

TITLE		SCALE	DATE	DR	DWG	REV
100 SP-1 T6 B11 M1 Q EH		2:1	11/7/05	PH	ST111021	D

