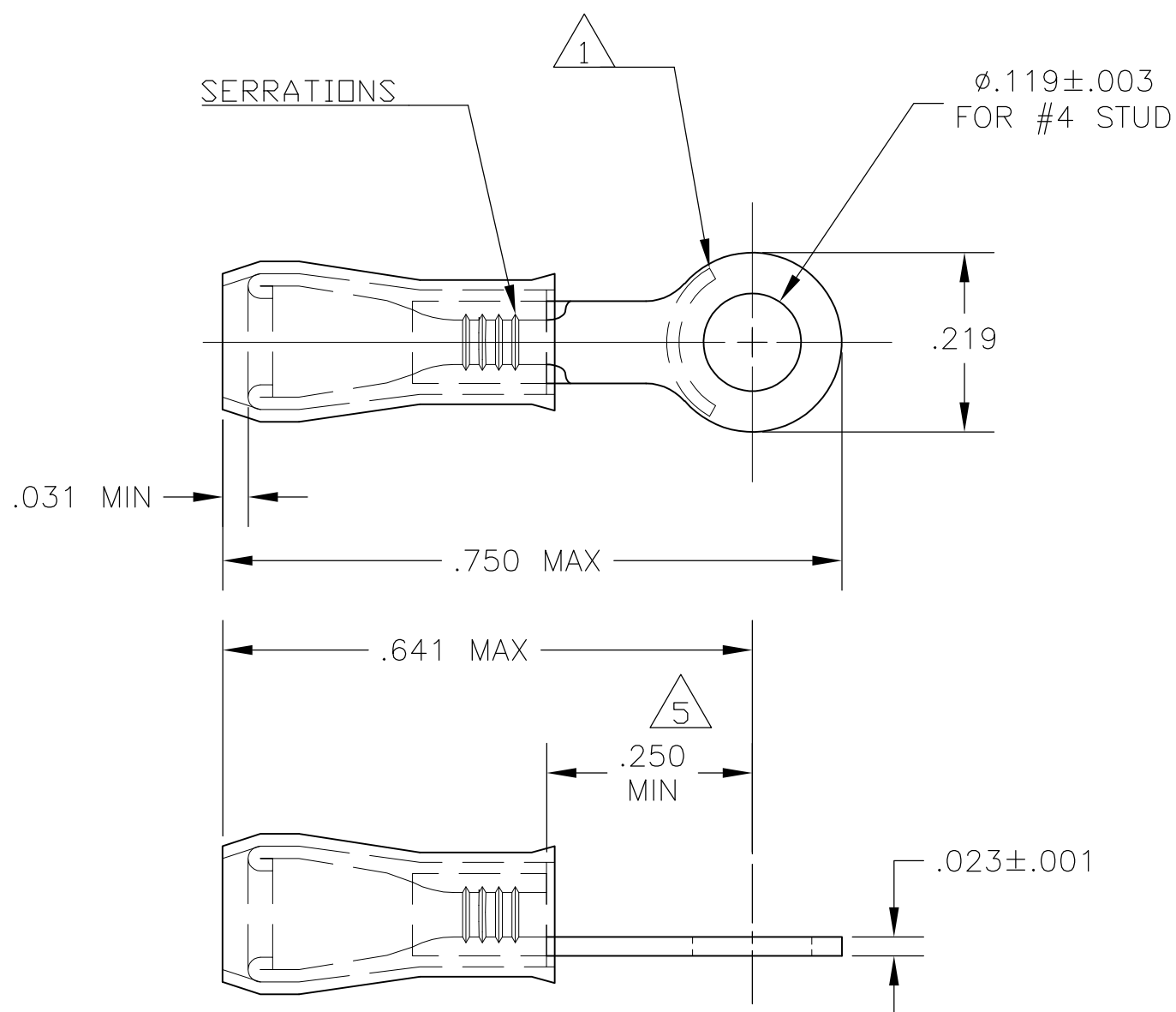


THIS DRAWING IS UNPUBLISHED. RELEASED FOR PUBLICATION
 © COPYRIGHT BY TYCO ELECTRONICS CORPORATION. ALL INTERNATIONAL RIGHTS RESERVED.

LOC	DIST	REVISIONS			
P	LTR	DESCRIPTION	DATE	DWN	APVD
G	02	A1	REV PER ECR 10-004261	25FEB10	JR TM



- 1 STAMP "AMP 24-20", LOCATED APPROX AS SHOWN ON BOTTOM OF PART.
- 2 FOR INSULATION DIA OF .040 TO .100 DIA.
- 3 MATERIAL
 BODY: COPPER PER ASTM B-152 ANNEALED
 SLEEVE: COPPER PER ASTM B-152
 INSULATION: NYLON
- 4 FINISH
 BODY: TIN PLATE PER ASTM B-545
 SLEEVE: TIN PL PER ASTM B-545
 INSULATION - COLOR-TRANSLUCENT
- 5 APPLIES FROM EDGE OF METAL WIRE BARREL TO CENTER OF STUD HOLE.

150493
 PART NO

THIS DRAWING IS A CONTROLLED DOCUMENT.		DWN jr_ruth 25FEB10	Tyco Electronics Corporation Harrisburg, PA 17105-3608		
DIMENSIONS: INCHES		CHK TOM MICHIELUTTI 25FEB10	NAME WIRE TERMINAL, RING TONGUE, PIDG, WIRE SIZE: 24-20		
TOLERANCES UNLESS OTHERWISE SPECIFIED: 0 PLC ± - 1 PLC ± - 2 PLC ± - 3 PLC ± .008 4 PLC ± - ANGLES ± 5°		APVD TOM MICHIELUTTI 25FEB10	PRODUCT SPEC -		
MATERIAL - 3		FINISH - 4	APPLICATION SPEC -	SIZE A3	CAGE CODE 00779
CUSTOMER DRAWING			DRAWING NO G-150493	RESTRICTED TO -	SCALE 6:1
			WEIGHT -	SHEET 1 OF 1	REV A1