

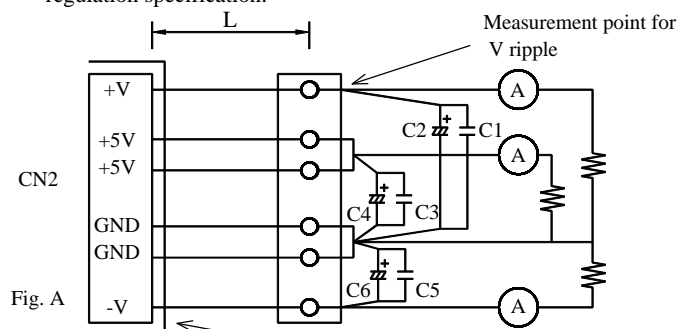
SWT30 SPECIFICATIONS

CA701-01-01E

ITEMS	MODEL	SWT30-522			SWT30-525			SWT30-5FF			
		CH1	CH2	CH3	CH1	CH2	CH3	CH1	CH2	CH3	
1	NOMINAL OUTPUT VOLTAGE	V	+5	+12	-12	+5	+12	-5	+5	+15	-15
2	MIN. OUTPUT CURRENT	A	0.2	0.4	0	0.2	0.4	0	0.2	0.4	0
3	MAX. OUTPUT CURRENT	A	2	1.5	0.3	2	1.5	0.3	2	1	0.3
4	PEAK OUTPUT CURRENT (*10)	A	3	3	-	3	3	-	3	2.2	-
5	MAX. OUTPUT POWER (PEAK)	W	31.6(49.6)			29.5(47.5)			29.5(47.5)		
6	EFFICIENCY (TYP) (* 1)	-	70%								
7	INPUT VOLTAGE RANGE (* 2)	-	AC85~265V (Continuously), 47 ~ 63Hz / 110~340VDC								
8	INPUT CURRENT (TYP) (* 1)	-	0.90A(Vin=100VAC) / 0.45A(Vin=200VAC)								
9	INRUSH CURRENT (TYP)	-	15A / 100VAC, 30A / 200VAC (cold start, Ta=25°C)								
10	OUTPUT VOLTAGE	-	CH1 +5V fixed, CH2.3 fixed Shipment condition: CH1: ±1%, CH2(+12V): ±3%,CH2(+15V):±5%, CH3: ±5%								
11	MAX. RIPPLE & NOISE (* 3)	-	±5V: 120mV; ±12V: 150mV; ±15V: 150 mV								
12	MAX. LINE REGULATION (*3,4)	-	CH1:1%, CH2: 2% , CH3: 1%								
13	MAX. LOAD REGULATION (*3,5)	-	CH1:2%, CH2: 4%, CH3: 2%								
14	MAX. TEMPERATURE DRIFT (*3,6)	-	0.04%/°C								
15	OVER CURRENT PROTECTION (* 7)	-	Automatic recovery, O.C.P point : 170% ~								
16	OVER VOLTAGE PROTECTION (* 8)	-	6V ~ (CH1 only)								
17	HOLD - UP TIME (TYP) (* 1)	-	17ms (Input 100 VAC)								
18	OPERATING TEMPERATURE (* 9)	-	Convection cooling 0~50°C:100% load; 60°C: 70% load								
19	OPERATING HUMIDITY	-	30%~90%RH								
20	STORAGE TEMPERATURE	-	-20°C ~ +85°C								
21	STORAGE HUMIDITY	-	10%~95%RH								
22	COOLING	-	Convection cooling								
23	EMI	-	Conform to FCC-B, VCCI-2, EN55022B								
24	WITHSTAND VOLTAGE	-	I/P-O/P:3kVAC(20mA), I/P-FG:2.5kVAC(20mA), O/P-FG:500VAC(100mA) for 1min								
25	ISOLATION RESISTANCE	-	More than 100MΩ at Ta=25°C and 70%RH, Output - FG 500VDC								
26	VIBRATION	-	10 - 55Hz Amplitude (sweep 1min) Less than 19.6m/s ² X ,Y ,Z 1Hr each								
27	SHOCK	-	Less than 196.1m/s ²								
28	OUTPUT GROUNDING	-	All channels common ground (2 terminals)								
29	SAFETY	-	Conform to UL1950, CSA950, EN60950, DENTORI								
30	WEIGHT	-	230g								
31	SIZE (W*D*H)	m/m	76.2 x 127.0 x 30.5								
		inch	3.00 x 5.00 x 1.20 (2.55 x 4.55 mounting hole Φ 3.5mm)								

NOTES:

- *1. At 100VAC, 200VAC and MAX. OUTPUT POWER (Convection cooling), Ta=25°C.
- *2. For cases where conformance to various safety specs (UL,CSA, EN) are required to be described as 100~120VAC, 200~240VAC, 50/60 Hz on name plate.
- *3. Please refer to Fig A for measurement determination of line & load regulation and output ripple voltage.
(Measure with JEITA RC-9131 probe)
- *4. From 85~132VAC / 170~265VAC, constant load.
- *5. From Min. load - Full load (Maximum power), constant input voltage.
- *6. From 0°C ~ +50°C, constant input voltage and load.
- *7. Current limiting with automatic recovery. Avoid to operate over load or dead short for more than 30 seconds.
- *8. Over voltage clamping by zener diode.
- *9. At standard mounting method, Fig B.
- *10. Peak current operation is less than 10 sec. with duty factor less than 30%. In addition, it does not has to satisfy the total regulation specification.



L: 150mm AWG#18
 C1,C3,C5: Film Cap 0.1μF
 C2,C4,C6: Elec. Cap 100μF
 Bandwidth of scope: 100MHz

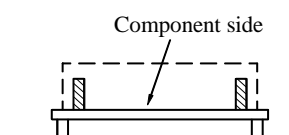


Fig. B

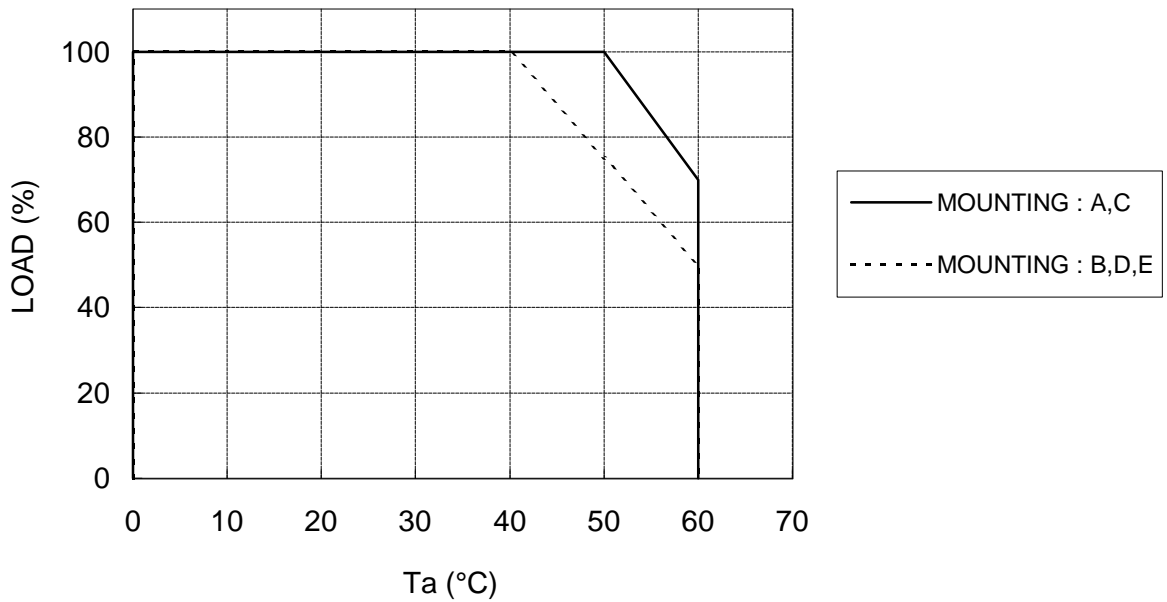
SWT 30 OUTPUT DERATING

NEMIC-LAMBDA

CA701-01-03A

Ta (°C)	LOAD(%)				
	MOUNTING : A	MOUNTING : B	MOUNTING : C	MOUNTING : D	MOUNTING : E
0	100	100	100	100	100
20	100	100	100	100	100
40	100	100	100	100	100
50	100	75	100	75	75
60	70	50	70	50	50

OUTPUT DERATING CURVE



- MOUNTING : A
- MOUNTING : B
- MOUNTING : C
- MOUNTING : D
- MOUNTING : E
- DONT USE

(STANDARD MOUNTING)

