

4

3

2

1

THIS DRAWING IS UNPUBLISHED.

RELEASED FOR PUBLICATION

-- --

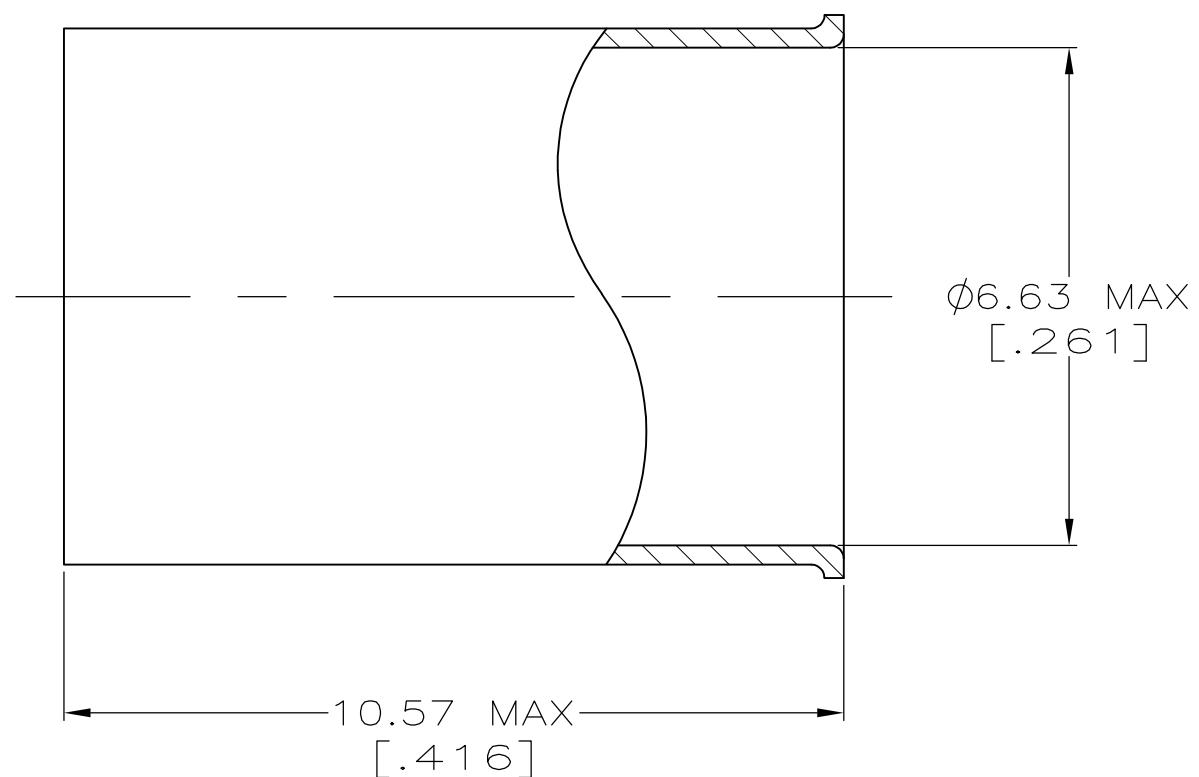
© COPYRIGHT - BY TYCO ELECTRONICS CORPORATION.

ALL INTERNATIONAL RIGHTS RESERVED.

LOC
AJDIST
16

REVISIONS

P	LTR	DESCRIPTION	DATE	DWN	APVD
	K	REVISED PER ECO-10-008433	20MAY10	HMR	KW



1. COPPER ALLOY
2. GOLD PLATE PER MIL-G-45204, 0.08 μ m [0.000030] MIN THICKNESS
3. SILVER PLATE PER QQ-S-365, 5.08 μ m [0.000200] MIN THICKNESS
4. TIN-LEAD PLATE PER ASTM-B-545, 2.54 μ m [0.000100] MIN THICKNESS

OBSOLETE	4	2-329041-5
	4	2-329041-3
OBSOLETE	2	2-329041-1
	3	329041
		FINISH
		PART NUMBER

THIS DRAWING IS A CONTROLLED DOCUMENT.		DWN MICHAEL E. COWHER 10NOV95	Tyco Electronics Corporation Harrisburg, PA 17105-3608														
DIMENSIONS: mm [INCHES]		CHK FRANK MORANA 10NOV95	NAME FERRULE														
TOLERANCES UNLESS OTHERWISE SPECIFIED:		APVD FRANK MORANA 10NOV95	PRODUCT SPEC -														
<table border="0"> <tr><td>0 PLC</td><td>± -</td></tr> <tr><td>1 PLC</td><td>± -</td></tr> <tr><td>2 PLC</td><td>± -</td></tr> <tr><td>3 PLC</td><td>± -</td></tr> <tr><td>4 PLC</td><td>± -</td></tr> <tr><td>ANGLES</td><td>± -</td></tr> </table>		0 PLC	± -	1 PLC	± -	2 PLC	± -	3 PLC	± -	4 PLC	± -	ANGLES	± -	APPLICATION SPEC -	SIZE A3	CAGE CODE 00779	DRAWING NO G-329041
0 PLC	± -																
1 PLC	± -																
2 PLC	± -																
3 PLC	± -																
4 PLC	± -																
ANGLES	± -																
MATERIAL SEE NOTES	FINISH SEE TABLE	WEIGHT -	RESTRICTED TO -	CUSTOMER DRAWING													
			SCALE 10:1	SHEET 1 OF 1	REV K												