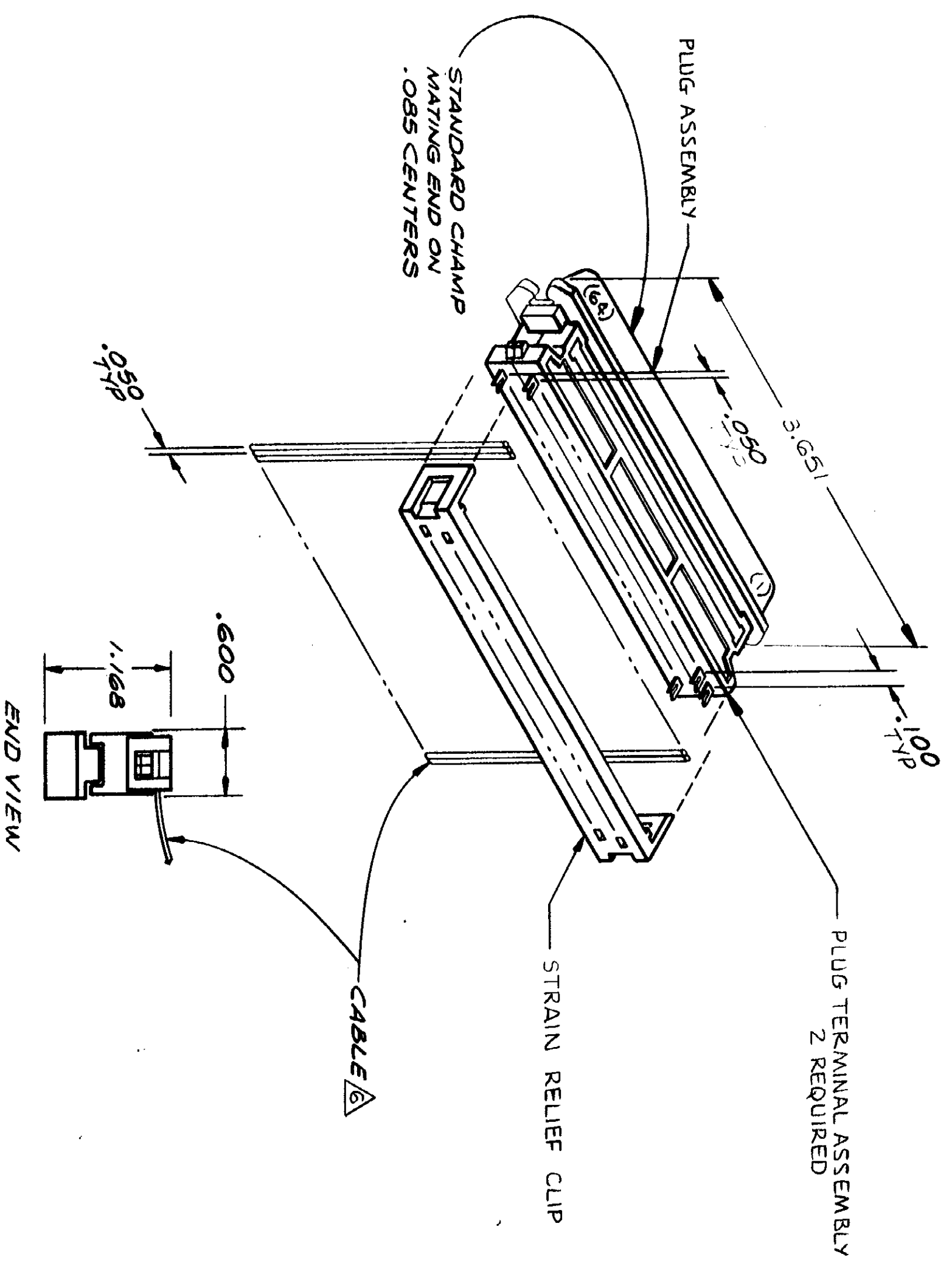


DRAWING MADE IN THIRD ANGLE PROJECTION

© COPYRIGHT 1979 BY AMP INCORPORATED, HARRISBURG, PA. ALL INTERNATIONAL RIGHTS RESERVED. AMP INCORPORATED PRODUCTS COVERED BY U. S. AND FOREIGN PATENTS AND/OR PATENTS PENDING.

REVOLUTIONS		DATE	APPROVED	LOC	DIST
P	ZONE LTR	DESCRIPTION		AA	13/2
Q		RLSD PER NPI C 79-19	7/2/79 SD		
A		CHG DWG TITLE ECN C-1254	4/24/79 RZ		
B		REV PER AA-509	2-28-80 AJ		
C		REV PER ECN 9A-738	2-28-81 TP		



1. THE CONTACT SURFACES OF THE TERMINALS ARE COATED WITH LUBRICANT.
2. MATERIAL: HOUSING & STRAIN RELIEF CLIP- THERMO-PLASTIC (BLK)  
TERMINALS- GOLD OVER NICKEL PLATED HIGH STRENGTH COPPER ALLOY ON MATING END & GOLD FLASH OVER NICKEL PLATE ON TERMINATING END.
3. STRAIN RELIEF CLIP SHIPPED UNASSEMBLED.
4. WIRE RANGE: 28 AWG (STRANDED) OR 30 AWG (SOLID) COPPER RIBBON CABLE.
5. ALL DIMENSIONS SHOWN ARE FOR REFERENCE ONLY. RIBBON CABLE SHALL BE FURNISHED BY CUSTOMER.

552933-1 AS SHOWN

552933

UNLESS OTHERWISE SPECIFIED DIMENSIONS ARE IN INCHES. TOLERANCES ON: DECIMALS ± # ANGLES		CONTRACT NO		NAME	
MATERIAL		DR		KIT, PLUG, 64 POSN, RIBBON CABLE, CHAMP (BAIL LOCK)	
FINISH		CHK		SIZE CODE IDENT NO/DRAWING NO	
OTHER APPRO		APPRD		SCALE 1:1	
		DSGN APPD		SHEET 1 OF 1	

CHAMP® CHAMP-LOCK® Connectors  
\* Trademarks of AMP Incorporated