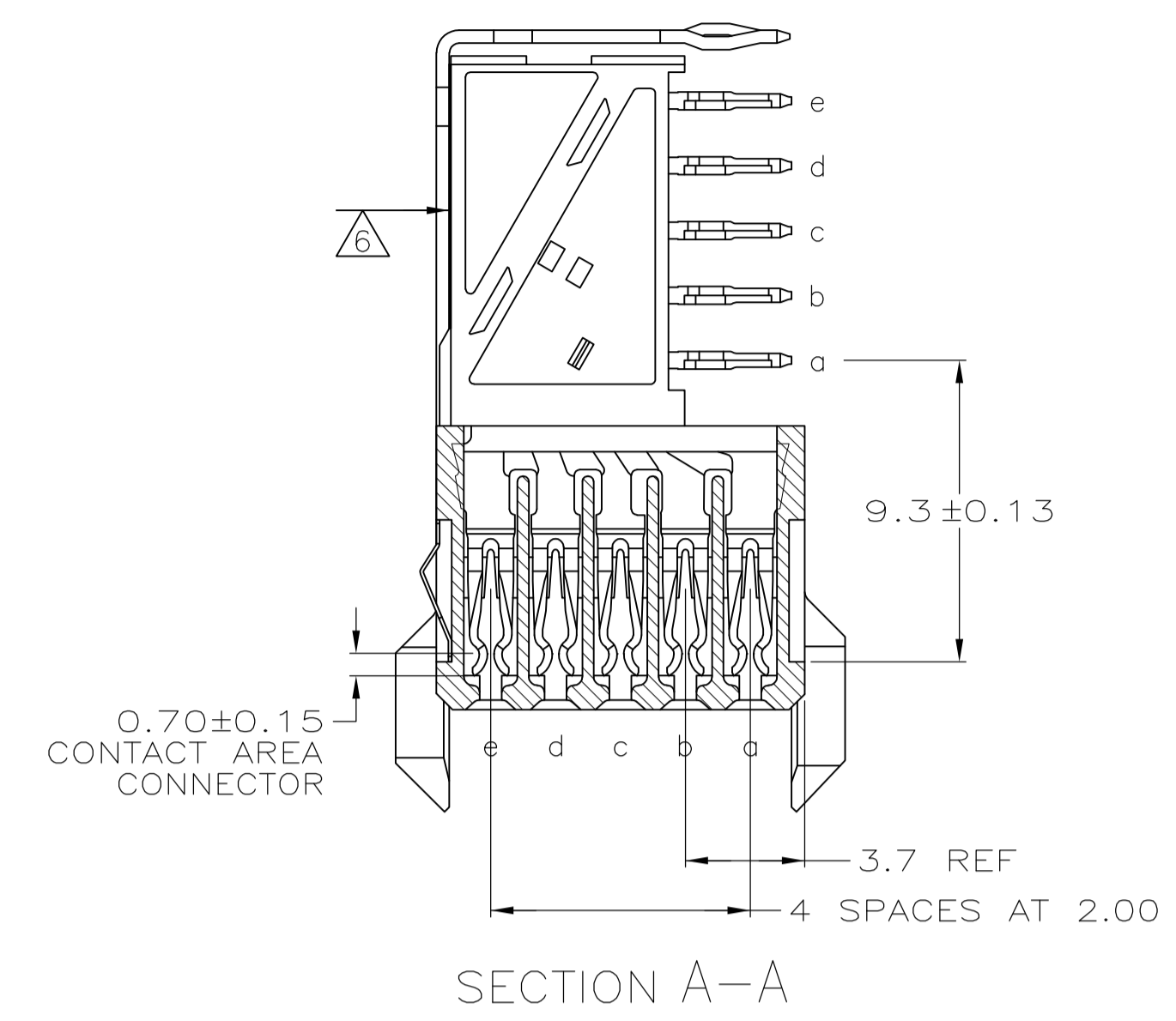
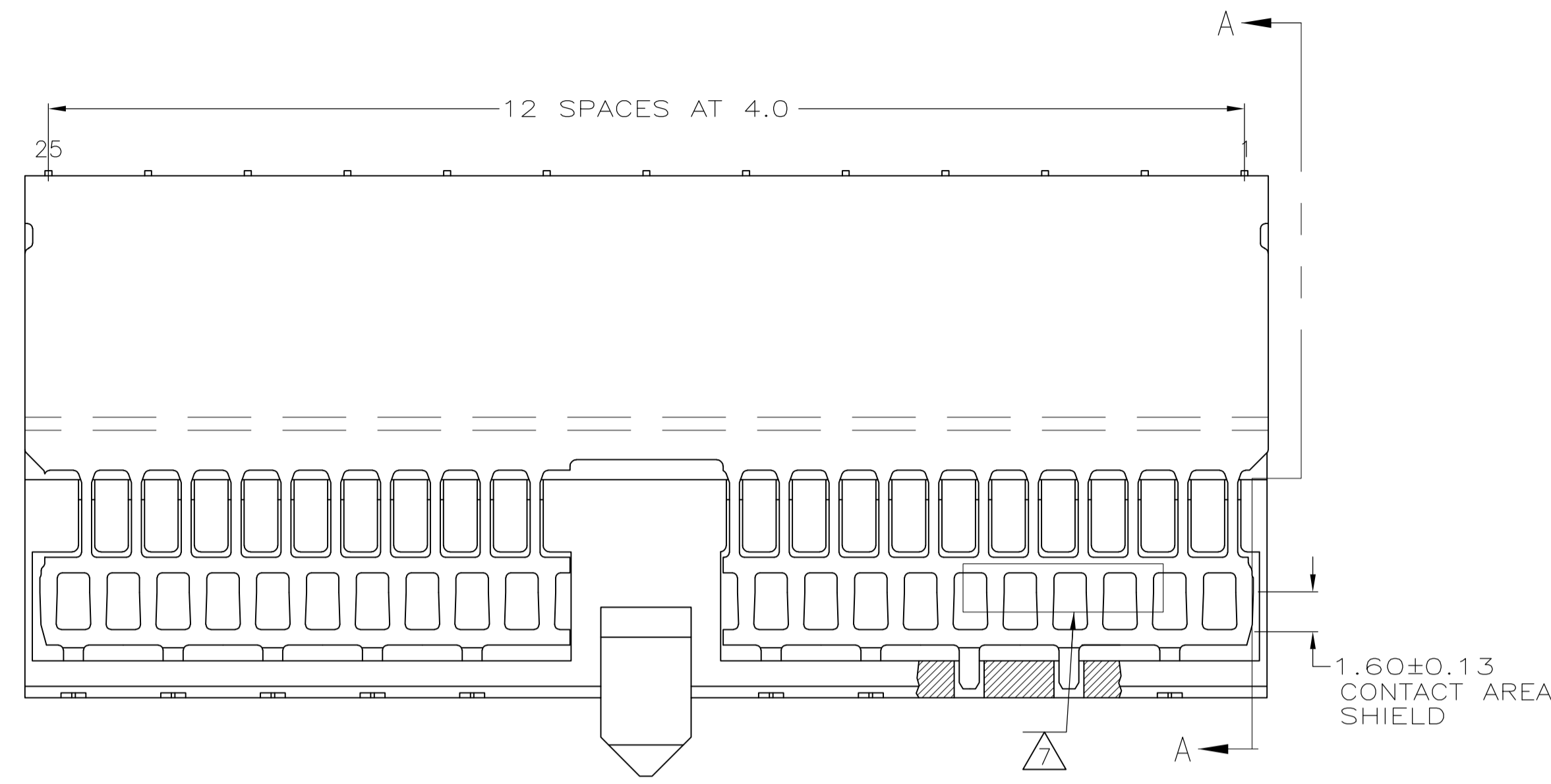
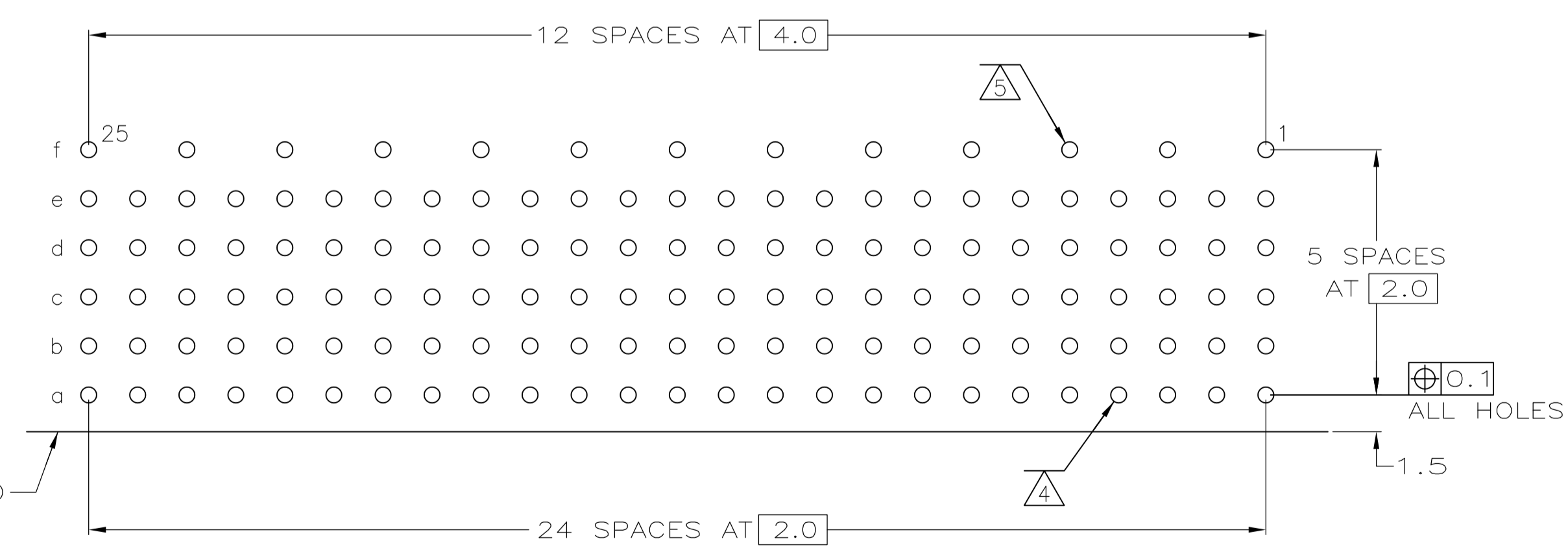
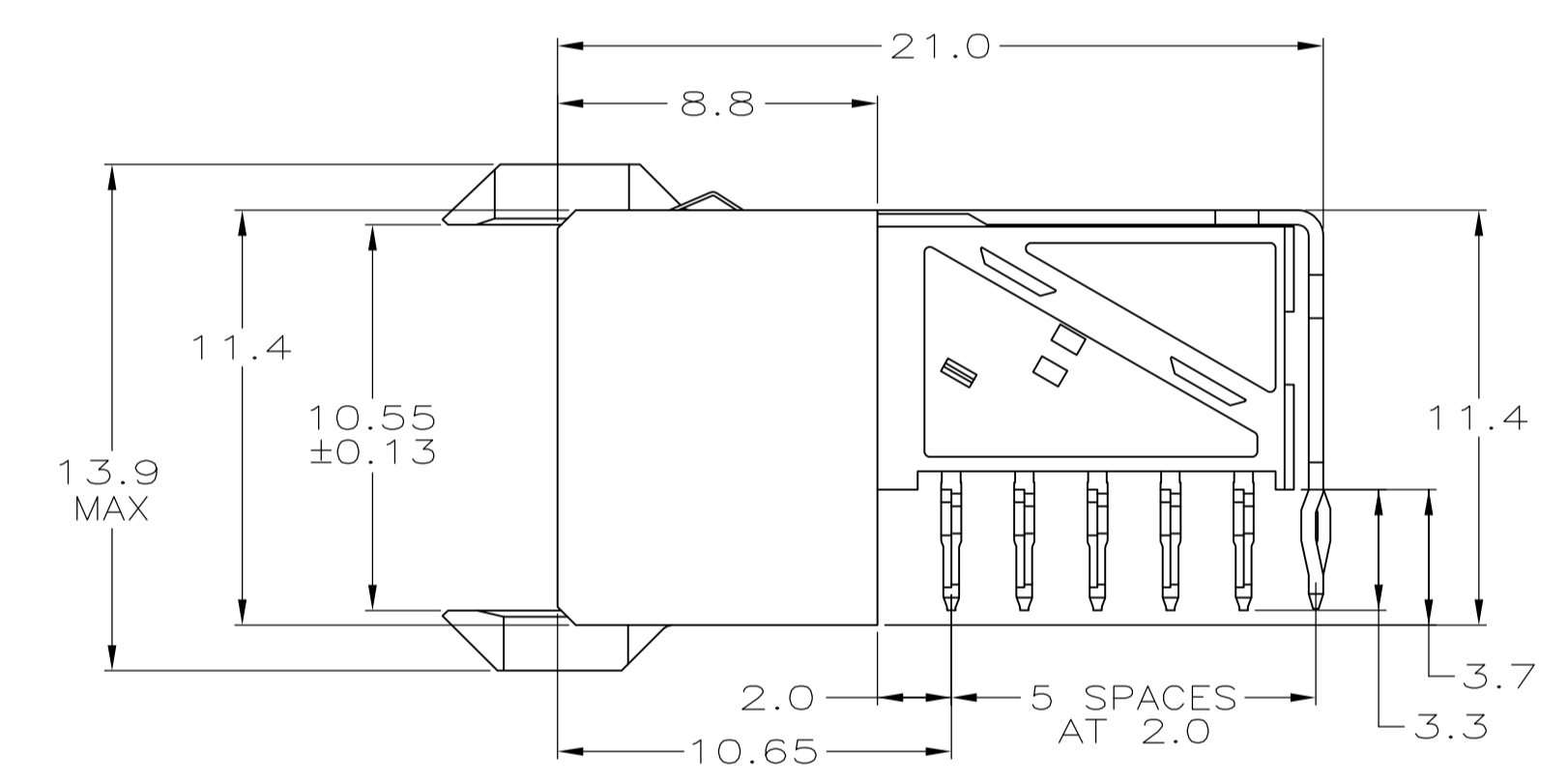
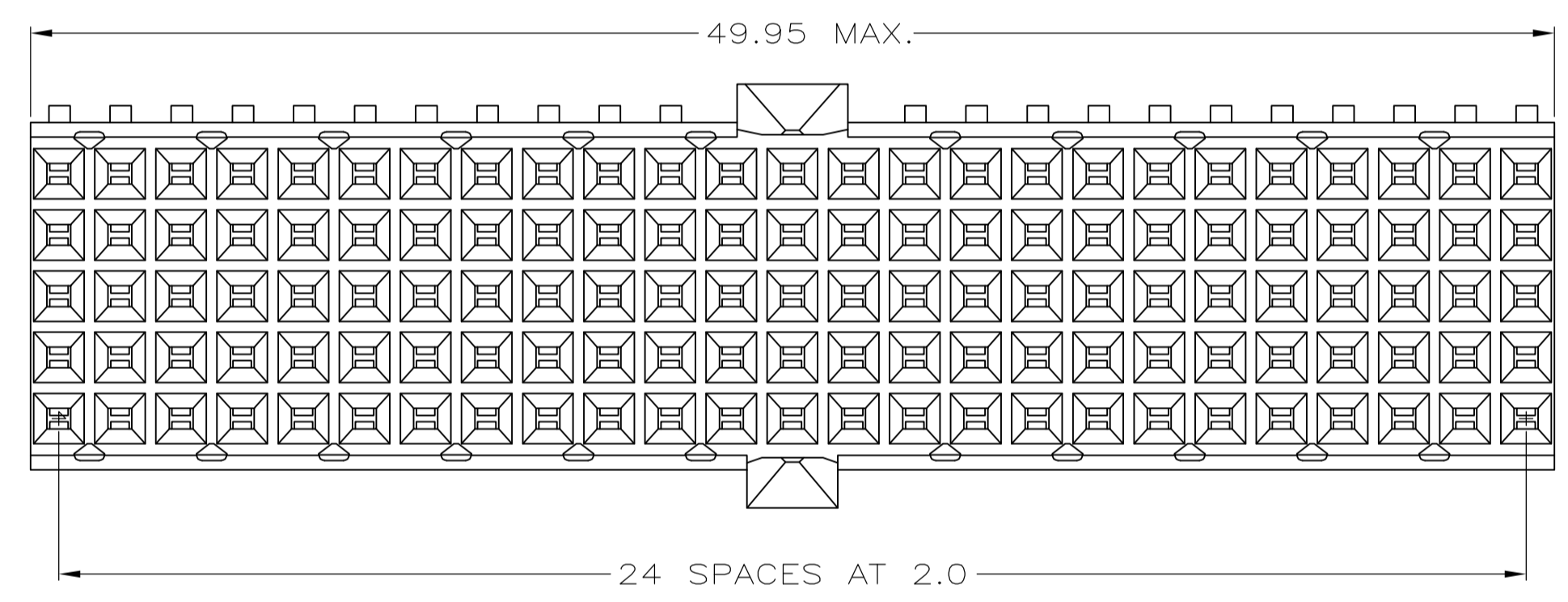


| LOC | | DIST | | REVISIONS | | | |
|-----|-----|-----------|-----------------------|-----------|-----|------|--|
| P | LTR | DATE | DESCRIPTION | DATE | DMN | APVD | |
| E | | 09OCT2010 | REVISED ECO-10-021160 | | RC | CW | |
| F | | 13DEC11 | ECO-11-024491 | | SY | MQW | |



- 1 MATERIAL:
CONTACT: PHOSPHOR BRONZE.
HOUSING: GLASS-FILLED POLYESTER.
- 2 GENERAL PLATING SPECIFICATION: UNDERPLATING (ENTIRE CONTACT): 1.27µm MIN NICKEL AND ACTION PIN: 0.5µm MIN TIN LEAD. FOR PLATING OF MATING SURFACES SEE APPLICABLE SPECIFICATION REFERENCE FOR EACH DASH NUMBER.
- 3 CONFORMS TO ALL TESTING ACCORDING TO IEC 61076-4-101 PERFORMANCE LEVEL 2.
- 4 PLATED THROUGH HOLES AT 2mm x 2mm GRID.
- 5 ROW "f" 13 PLATED THROUGH HOLES FOR UPPER SHIELD.
- 6 SHIELD MOUNTED ON CONNECTOR WITH DOUBLE SIDED ADHESIVE TAPE.
- 7 CONNECTOR MARKED WITH PART NUMBER AND DATE CODE.
- 8 0.76 µm GOLD PLATING ON MATING SURFACES.
- 9 CONFORMS TO ALL TESTING ACCORDING TO IEC 61076-4-101 PERFORMANCE LEVEL 1.



COMPONENT SIDE AS SHOWN
 RECOMMENDED PCB HOLE LAYOUT

PCB HOLE DIMENSIONS FOR ACTION PIN
 DRILLED HOLE: 0.700±0.025mm
 FINISHED HOLE: 0.55 TO 0.65mm
 CU-THICKNESS: 0.025 TO 0.050mm
 SN/PB-THICKNESS: 0.004 TO 0.010mm

| |
|--------------------|
| 646547-4 |
| 3-646547-0 |
| 646547-1 |
| FINISH PART NUMBER |

THIS DRAWING IS A CONTROLLED DOCUMENT.

| | | | |
|----------------|--|-------------------------|---|
| DIMENSIONS: mm | TOLERANCES UNLESS OTHERWISE SPECIFIED: | DIN L. BRINER 4/13/99 | Tyco Electronics Corporation Harrisburg, PA 17105-3608 |
| 0-PLC ± | ±0.2 | CHK G. SKIPPER 4/13/99 | |
| 1-PLC ± | ±0.1 | APVD G. SKIPPER 4/13/99 | RECEPTACLE ASSEMBLY, Z-PACK 2mm HM, TYPE A/B |
| 2-PLC ± | ±0.1 | PRODUCT SPEC | |
| 3-PLC ± | ±0.1 | APPLICATION SPEC | SIZE CASE CODE DRAWING NO |
| 4-PLC ± | ±0.1 | FINISH | A1 00779 C=646547 |
| 5-PLC ± | ±0.1 | SEE TABLE | RESTRICTED TO |
| MATERIAL 1 | SEE TABLE | WEIGHT | CUSTOMER DRAWING |
| | | SCALE 5:1 | SHEET 1 OF 1 |
| | | REV F | |