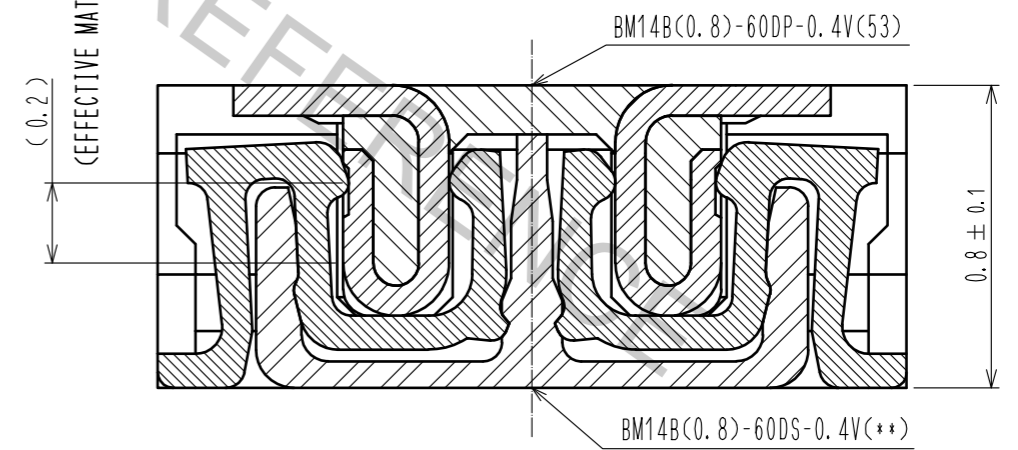


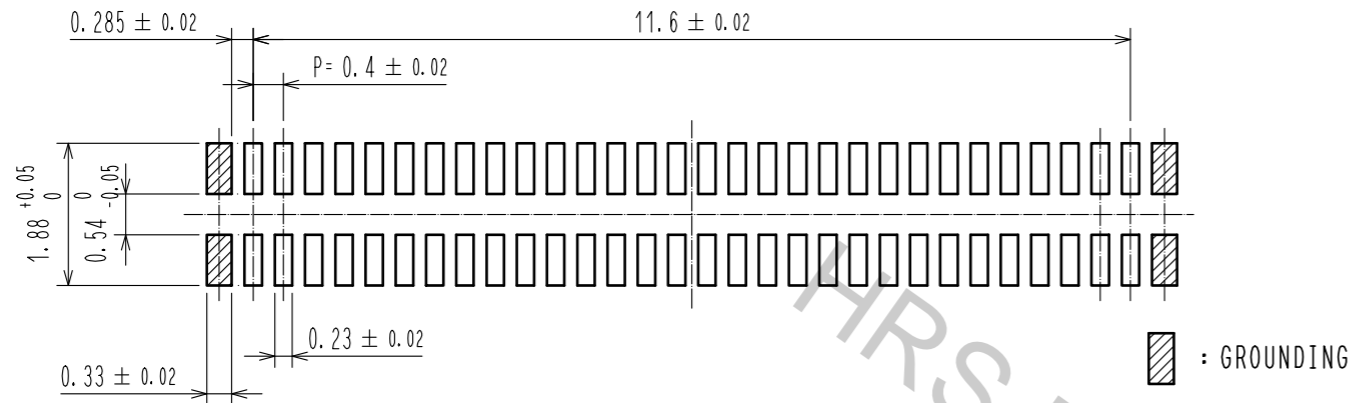
ENGAGEMENT FIGURE (50:1)



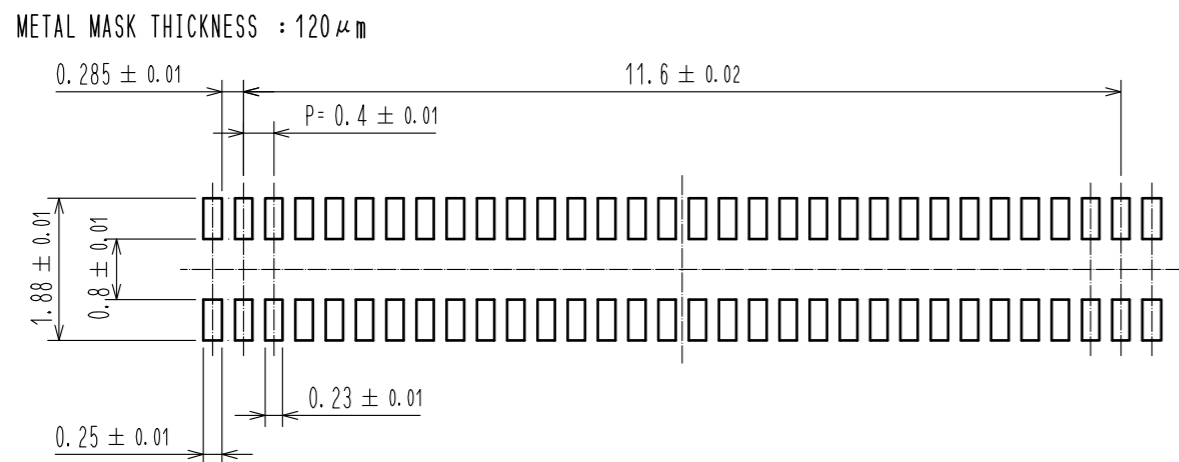
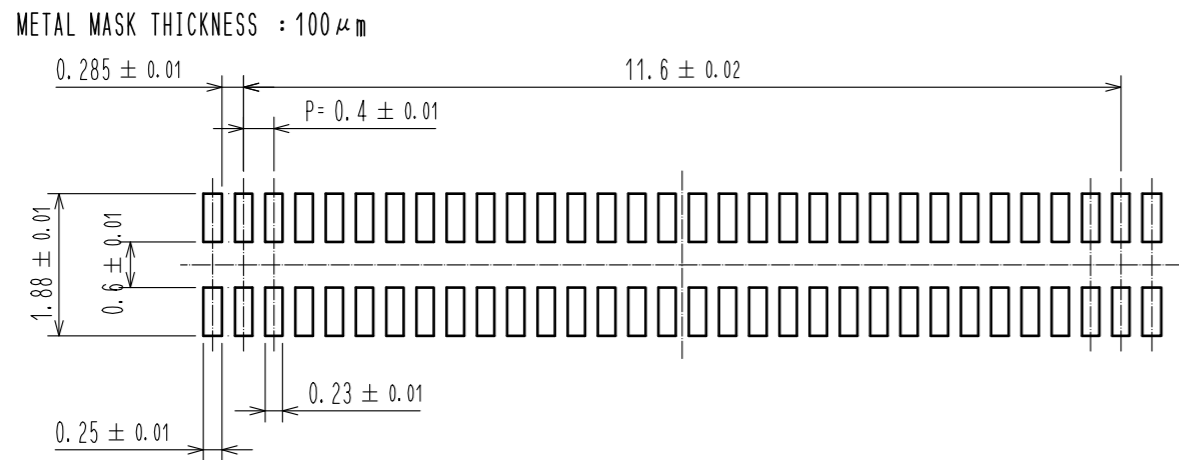
- NOTE) 1 . ALL LEAD CO-PLANARITY SHALL BE 0.08mm MAX
- 2 . CONTACT PLATING SPECIFICATIONS
 CONTACT AREA : GOLD 0.05 μm MIN
 SMT LEAD : GOLD 0.05 μm MIN
 UNDERPLATING : NICKEL 1 μm MIN
 (SURFACE : SEALING)
- 3 . EACH CONTACTS AT 4 CORNERS ARE PROVIDED FOR METAL FITTINGS AND GROUNDING PURPOSE.
- 4 . HRS MARK AND CAV No. ARE INDICATED IN APPROX POSITION SHOWN.
- 5 . A PART OF THE WALL COULD BE NOTCHED.

3	PS	CLEAR (ENBOSSED CARRIER TAPE)	6	PS	CLEAR (REINFORCEMENT COLLAR)			
2	PHOSPHOR BRONZE	2	5	PS	BLACK (PLASTIC REEL)			
1	LCP	UL94 V-0, BLACK	4	POLYESTER	CLEAR (COVER TAPE)			
NO.	MATERIAL	FINISH . REMARKS	NO.	MATERIAL	FINISH . REMARKS			
UNITS	mm	SCALE	10 : 1	COUNT	DESCRIPTION OF REVISIONS	DESIGNED	CHECKED	DATE
HIROSE ELECTRIC CO., LTD.		APPROVED	: MO. ISHIDA	16.10.20	DRAWING NO. EDC-318866-53-00 PART NO. BM14B(0.8)-60DP-0.4V(53) CODE NO. CL684-8002-2-53			
		CHECKED	: TS. MIYAZAKI	16.10.20				
		DESIGNED	: NY. YAMASHIRO	16.10.20				
		DRAWN	: SN. NUMAZAKI	16.10.20				
						1	3	

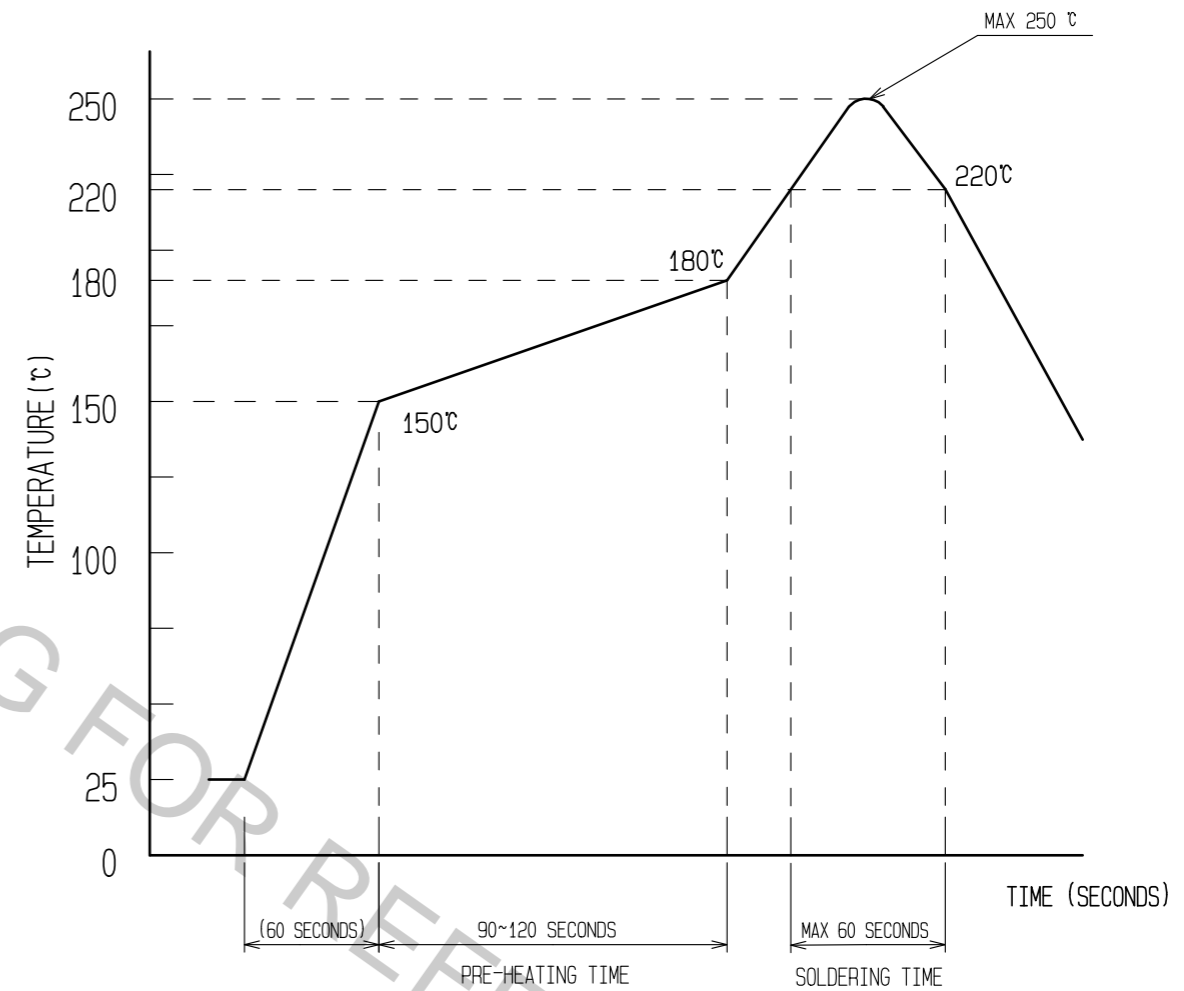
◆ RECOMMENDED PCB LAYOUT



◆ RECOMMENDED METAL MASK DIMENSIONS



⑥ RECOMMENDED REFLOW TEMPERATURE PROFILE USING LEAD-FREE SOLDER PASTE.



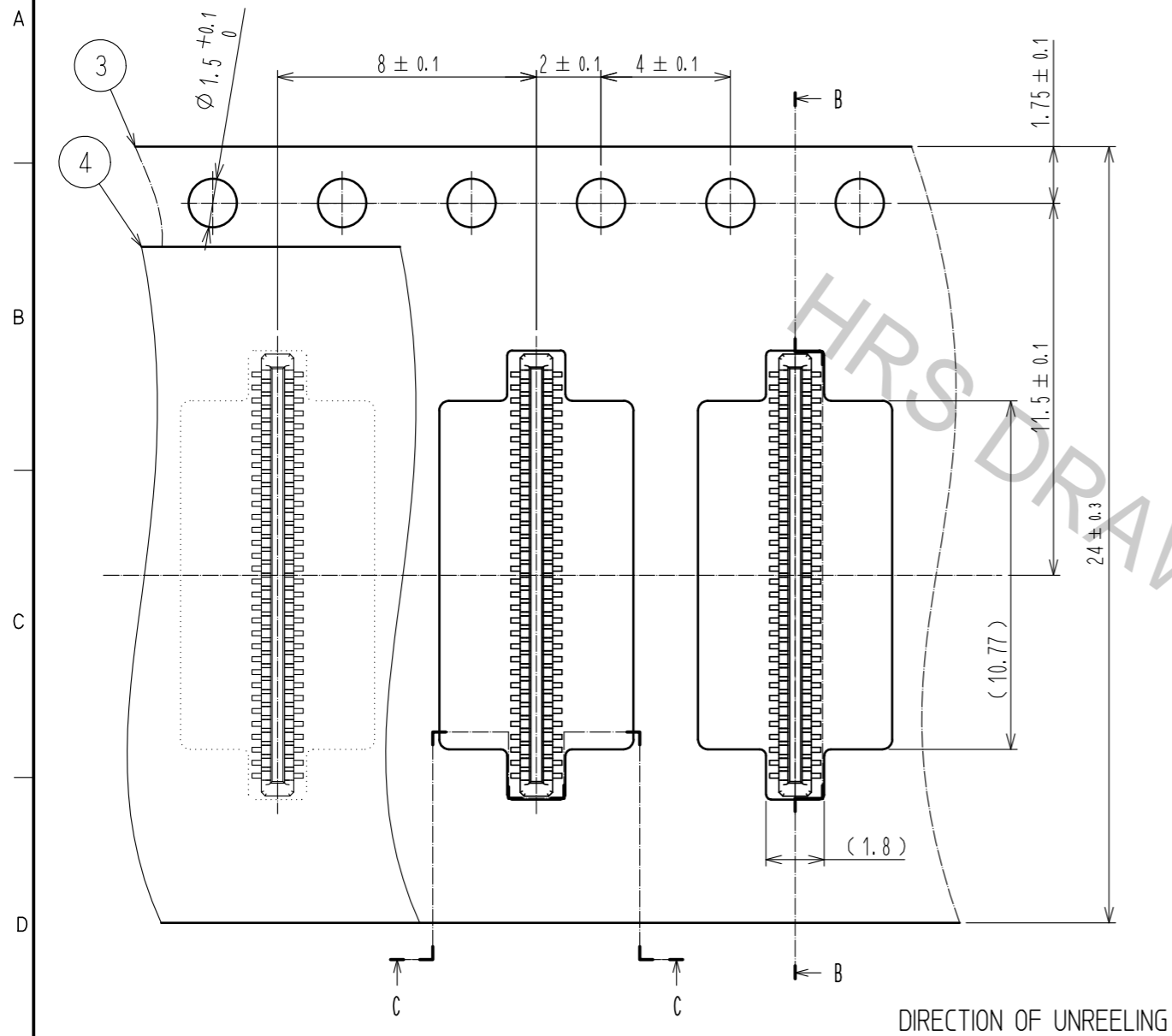
- REFLOW METHOD: IR REFLOW
 NUMBER OF REFLOW CYCLES: 2 CYCLES MAX.
- REFLOW TIME
 DURATION ABOVE 220°C, 60 SEC. MAX.
 (PEAK TEMPERATURE: 250°C MAX)
 - PRE-HEAT TIME
 PRE-HEAT TEMPERATURE(MIN): 150°C
 PRE-HEAT TEMPERATURE(MAX): 180°C
 PRE-HEAT TIME: 90-120 sec.

⑥ THIS TEMPERATURE PROFILE IS PER THE CONDITIONS SHOWN ABOVE. ADDITIONAL FACTORS, SUCH AS SOLDER PASTE TYPE, PCB SIZE AND OTHER MOUNTED COMPONENTS COULD AFFECT THE PROFILE, THEREFORE, A THOROUGH EVALUATION OF MOUNTING CONDITION IS REQUIRED PRIOR TO PRODUCTION. TEMPERATURE IS MEASURED AT CONTACT LEAD.

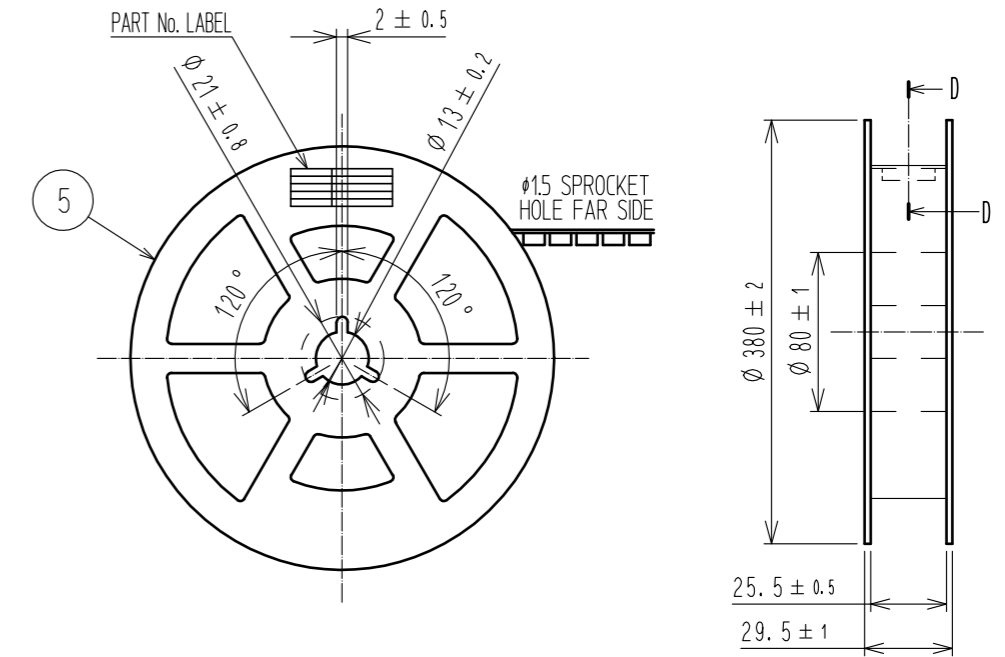
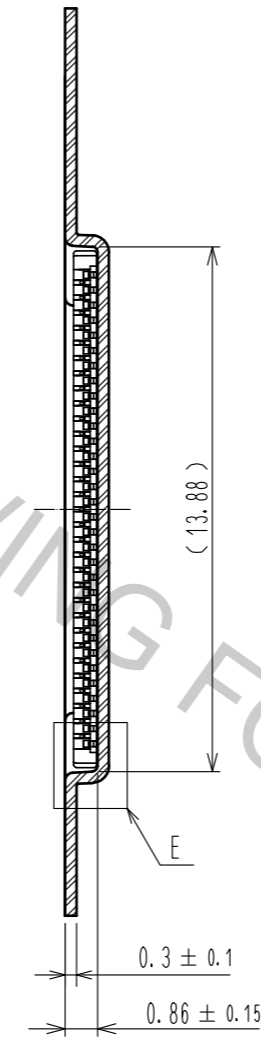
HRS	DRAWING NO.	EDC-318866-53-00
	PART NO.	BM14B(0.8)-60DP-0.4V(53)
	CODE NO.	CL684-8002-2-53

ENBOSSED CARRIER TAPE PACKAGING (5:1)

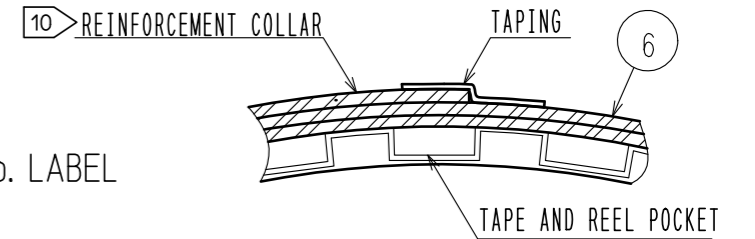
STYLE AND DIMENTION OF REEL (FREE)



B-B (5:1)



D-D (FREE)



DETAIL OF PART No. LABEL

SUPPLIER	
QUANTITY	
PART No.	
CODE No.	
DATE OF MANUFACTURED	
製造年月日	** ** *
製品コード	CL684-8002-2-53
製品名	BM14B(0.8)-60DP-0.4V(53)
数量	1,000
納入者	ヒロセ電機(株)

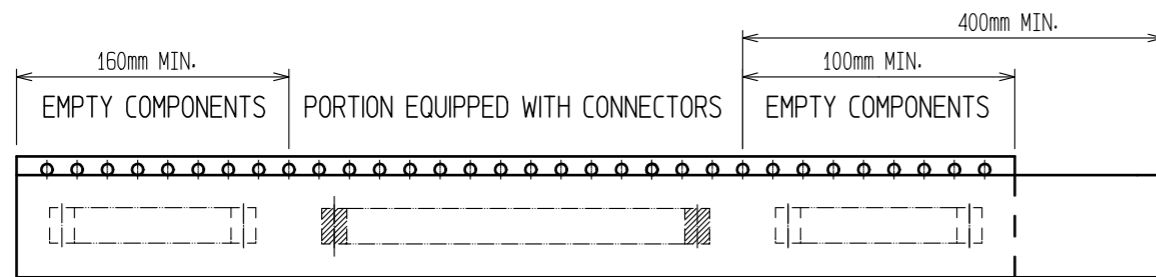
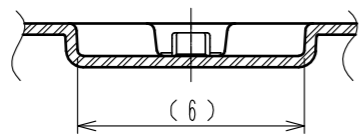
7. PER REEL 1000 CONNECTORS.

8. THE DIMENSIONS IN PARENTHESES ARE FOR REFERENCE.

9 REFER TO JIS C 0806(PACKAGING OF COMPONENTS FOR AUTOMATIC HANDLING)

10 AFTER PACKAGING, ROLL 2 METERS OF THE REINFORCEMENT COLLAR TO OUTER CIRCUMFERENCE OF TAPE AND REEL POCKET, AND TAPE DOWN AT THE END THE COLLAR.

C-C (5:1)



9 TAPING (FREE)

LEADER

HRS	DRAWING NO.	EDC-318866-53-00
	PART NO.	BM14B(0.8)-60DP-0.4V(53)
	CODE NO.	CL684-8002-2-53
		3/3