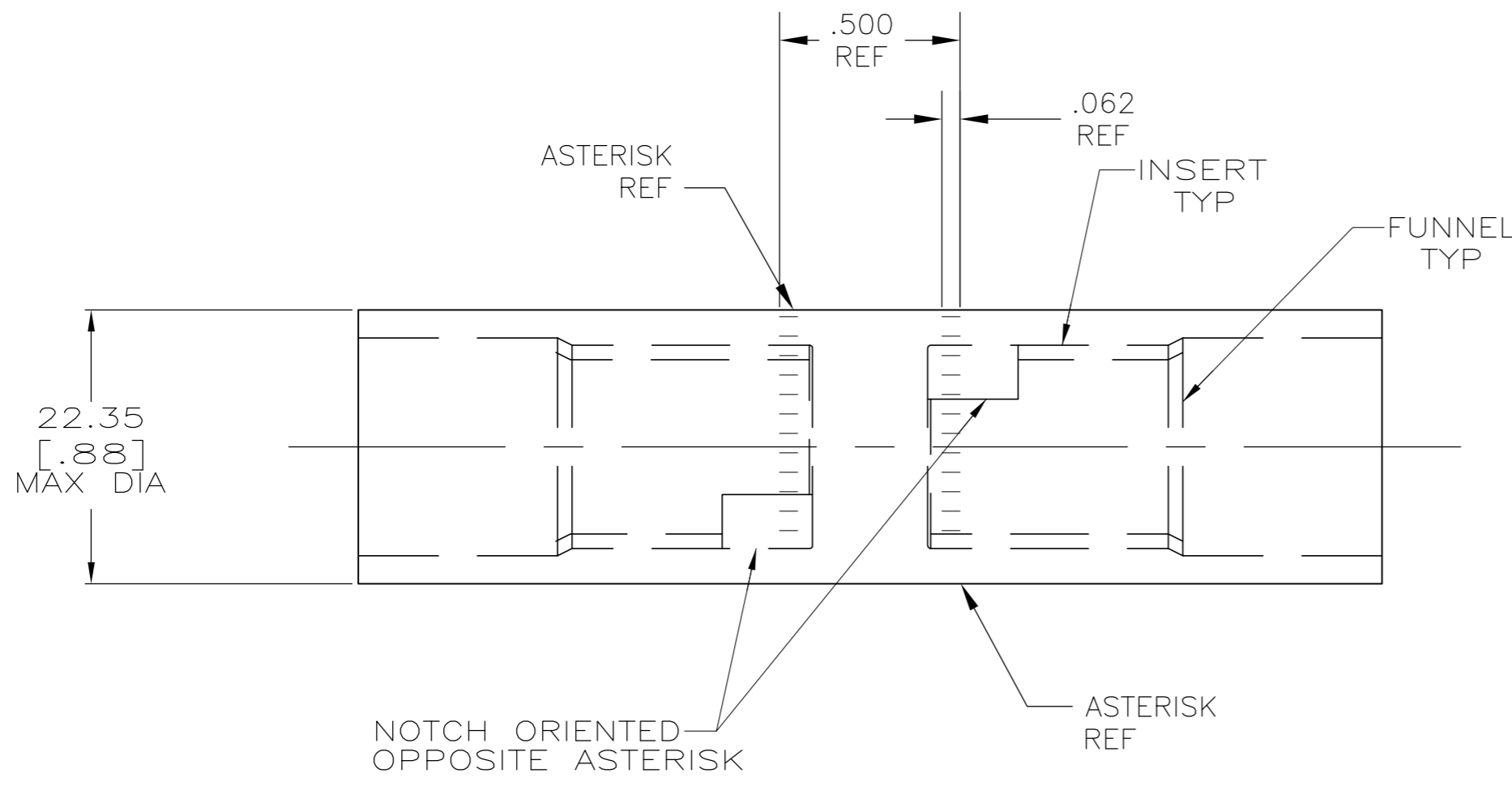
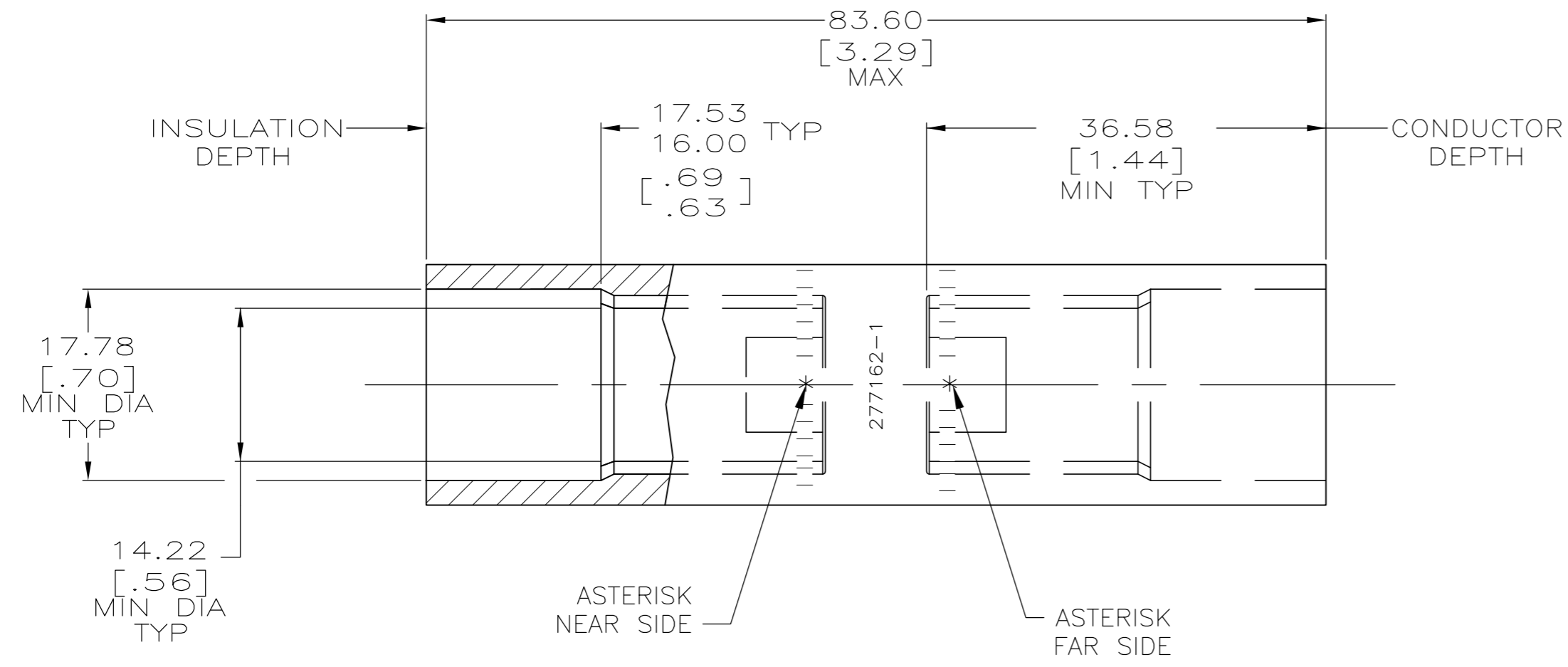


THIS DRAWING IS UNPUBLISHED. RELEASED FOR PUBLICATION
 © COPYRIGHT - By - ALL RIGHTS RESERVED.

LOC	DIST	REVISIONS					
		P	LTR	DESCRIPTION	DATE	DWN	APVD
G	86	N		REV PER ECO-11-008916	13MAY11	PY	BW

1 WIRE INSULATION: 13.21[.520] - 16.38[.645] DIA
 △ STAMP " 277162-1 AMP 3/0AL-2/OCU"
 APPROX AS SHOWN,



SPLICE: COPPER ASTM B-187
 TIN PL PER ASTM B-545 0.00381[.000150] MIN THK
INSERT & FUNNEL: BRASS ASTM B36
 NICKEL PL SAE AMS QQ-N-290A,
 DATED JULY 2000,
 0.00254 [.000100] MIN THK

277162-1

MATERIAL AND FINISH

PART NO

THIS DRAWING IS A CONTROLLED DOCUMENT.		DWN DK SCHRUM 7/6/89	TE TE Connectivity	
DIMENSIONS: MM [INCHES]		CHK MS FEHER 1/15/90		
TOLERANCES UNLESS OTHERWISE SPECIFIED:		APVD MJ SPICER 1/15/90	NAME WIRE SPLICE, BUTT, COPALUM	
0 PLC ± -		PRODUCT SPEC 108-11011	SIZE CAGE CODE DRAWING NO	
1 PLC ± -		APPLICATION SPEC 114-2134	RESTRICTED TO	
2 PLC ± 0.20[.008]		WEIGHT 127.5 GRAMS A2 00779 C=277162	SCALE 2:1 SHEET 1 of 1 REV N	
3 PLC ± -		CUSTOMER DRAWING		
4 PLC ± -				
ANGLES ± -				
FINISH SEE TABLE				