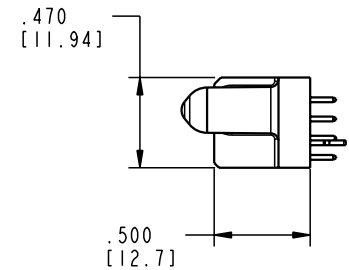
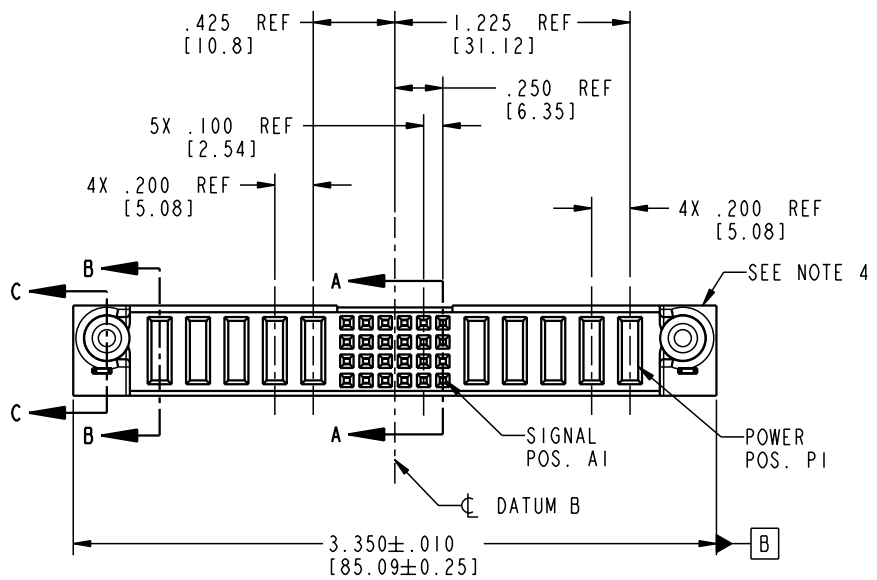


Tous droits strictement réservés. Reproduction ou communication o des liens interdite sous quelque forme que ce soit sans autorisation écrite du propriétaire. Propriete de c FCI. Droits de reproduction FCI.

All rights strictly reserved. Reproduction or issue to third parties in any form whenever is not permitted without written authority from the proprietor. Property of FCI. Copyright FCI.



PRODUCT NO.	ROWS	POWER					SIGNAL					POWER							
		E2	P10	P9	P8	P7	P6	6	5	4	3	2	1	P5	P4	P3	P2	P1	E1
51940-068	D C B A																		



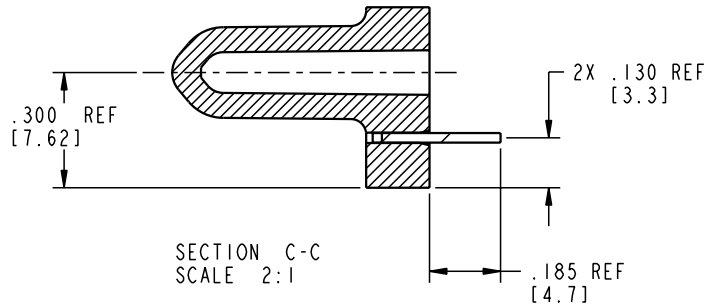
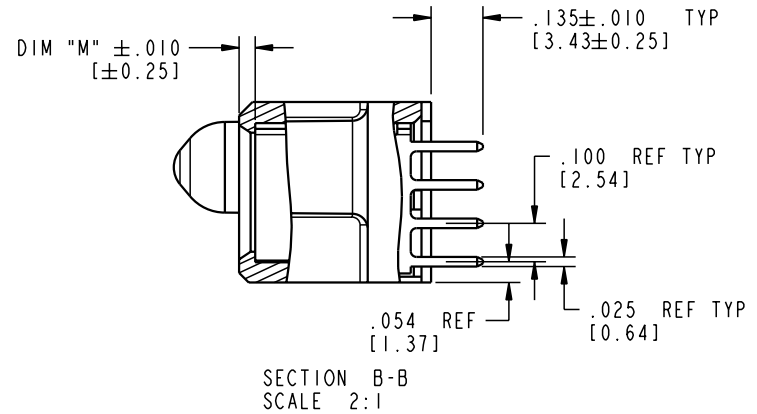
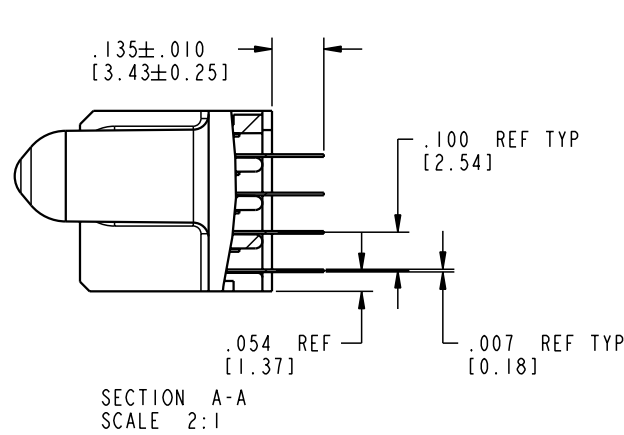
CODE	DIM "M" MATING LENGTH	CONTACT TYPE
E	N/A [N/A]	SIGNAL
PA	.042 [1.07]	POWER
HA	N/A [N/A]	HOLD-DOWN

mat'l code				SEE NOTE 2		tolerances unless otherwise specified		CUSTOMER		 www.fciconnect.com	
ltr	ecn no.	dr	date	linear	.XX±.01/0.X±0.3		COPY		 INCH/MM	title	
A	V03-1267	TAB	12/01/03		.XXX±.005/0.XXX±0.13		projection			5P + 24S + 5P	
					.XXX±.0020/0.XXX±0.051		 scale 1:1			VERTICAL SOLDER RECEPT	
				angles	° ± °		 scale 1:1		product family		
				dr	T. BRUNGARD	12/01/03	PwrBlade		code		
				engr	M. GRAY	12/01/03	size		213		
				chr	M. GRAY	12/01/03	dwg no		sheet		
				appd	M. GRAY	12/01/03	A 51940-068		1 of 4		
sheet index	revision sheet	A	A	A	A						
		1	2	3	4						

Tous droits strictement réservés. Reproduction ou communication o des tiers interdite sous quelque forme que ce soit sans autorisation écrite du propriétaire. Propriete de c FCI. Droits de reproduction FCI.

All rights strictly reserved. Reproduction or issue to third parties in any form whatever is not permitted without written authority from the proprietor. Property of FCI. Copyright FCI.

PRODUCT NUMBER
51940-068



mat'l code				SEE NOTE 2		tolerances unless otherwise specified		CUSTOMER		 www.fciconnect.com	
ltr	ecm no.	dr	date	linear	.XX±.01/0.X±0.3		COPY		title		
A					.XXX±.005/0.XX±0.13		projection		5P + 24S + 5P		
					.XXXX±.0020/0.XXX±0.051				VERTICAL SOLDER RECEIPT		
					° ± °		INCH/MM		product family		code
				dr	T. BRUNGARD	12/01/03	scale		PwrBlade		213
				enr	M. GRAY	12/01/03	1:1		size		sheet
				chr	M. GRAY	12/01/03			A		51940-068
				appd	M. GRAY	12/01/03					2 of 4
sheet index		revision sheet									

Pro/E

cage code 22526

PDM: Rev:A

STATUS: Released

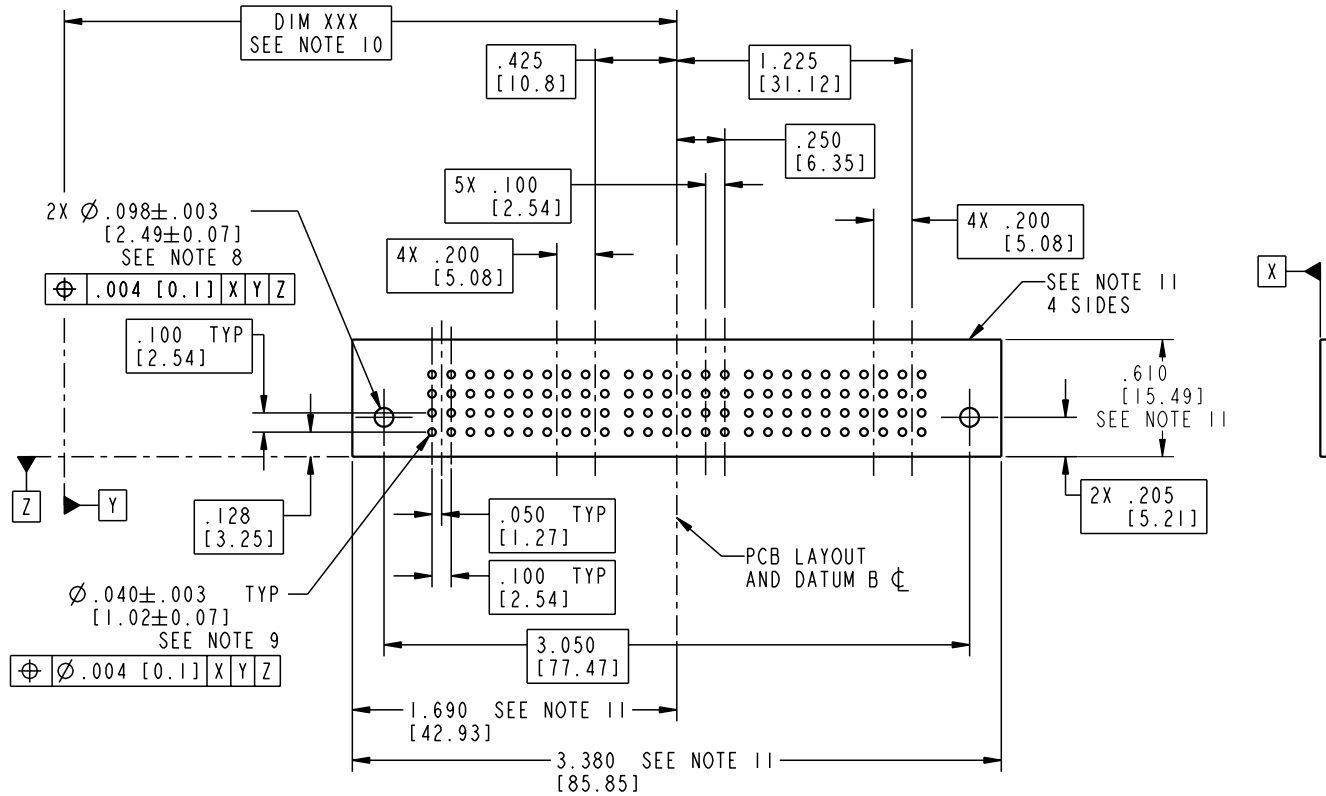
Printed: Dec 20, 2010

Tous droits strictement réservés. Reproduction ou communication o des tiers interdite sous quelque forme que ce soit sans autorisation écrite du propriétaire. Propriete de c FCI. Droits de reproduction FCI.

FCI

All rights strictly reserved. Reproduction or issue to third parties in any form, whatever is not permitted without written authority from the proprietor. Property of FCI. Copyright FCI.

PRODUCT NUMBER
51940-068



mat'l code		SEE NOTE 2		tolerances unless otherwise specified		CUSTOMER		 www.fciconnect.com	
ltr	ecn no.	dr	date	linear	.XX ± .01/0.X ± 0.3	COPY		title	
A				linear	.XXX ± .005/0.XX ± 0.13	projection		5P + 24S + 5P	
				angles	.XXX ± .0020/0.XX ± 0.051	 INCH/MM		VERTICAL SOLDER RECEIPT	
				dr	T. BRUNGARD 12/01/03	product family		PwrBlade	
				enr	M. GRAY 12/01/03	size		code	
				chr	M. GRAY 12/01/03	scale		213	
				appd	M. GRAY 12/01/03	A		51940-068	
sheet index		revision sheet		scale		1:1		3 of 4	

Pro/E

cage code 22526

PDM: Rev:A

STATUS: Released

Printed: Dec 20, 2010

Tous droits strictement réservés. Reproduction ou communication o des tiers interdite sous quelque forme que ce soit sans autorisation écrite du propriétaire. Propriete de c FCI. Droits de reproduction FCI.

A
FCI

All rights strictly reserved. Reproduction or issue to third parties in any form, whatever is not permitted without written authority from the proprietor. Property of FCI. Copyright FCI.

A

B

PRODUCT NUMBER
51940-068

NOTES:

1. DIMENSIONS AND TOLERANCES ARE IN ACCORDANCE WITH ASME Y14.5M, 1994 UNLESS OTHERWISE SPECIFIED.

CONNECTOR NOTES:

2 HOUSING MATERIAL: UL 94 V-0 GLASS FILLED

HIGH-TEMP THERMOPLASTIC
POWER CONTACT MATERIAL: COPPER ALLOY
SIGNAL PIN MATERIAL: COPPER ALLOY

3. PLATING:

SIGNAL PINS: 30u"/0.76um Au OVER 50u"/1.27um Ni
POWER CONTACTS: 50u"/1.27um Ni UNDER ALL
WITH 30u"/0.76um Au ON CONTACT AREA
AND SnPb ON PCB INTERFACE

4 MANUFACTURER'S NAME, P/N, AND DATE CODE TO APPEAR ON THIS SURFACE.

5. PRODUCT SPECIFICATION GS-12-149.
APPLICATION SPECIFICATION BUS-20-067.

6. PACKAGED IN TRAYS.

PCB NOTES:


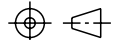
7. ALL HOLE DIAMETERS ARE FINISHED HOLE SIZE.

8 MOUNTING HOLES, WHERE APPLICABLE, ARE UNPLATED.

9 $\varnothing .0453 \pm .0010$ [1.151 \pm 0.025] DRILLED HOLES PLATED WITH
.0003 [0.008] MIN SnPb OVER .001 [0.03]
TO .003 [0.08] Cu PLATING TO ACHIEVE
 $\varnothing .040 \pm .003$ [1.02 \pm .07] HOLE.

10 "DIM XXX" TO BE DETERMINED BY THE CUSTOMER.

11 CONNECTOR KEEP-OUT ZONE.

mat'l code				SEE NOTE 2		tolerances unless otherwise specified		CUSTOMER		 FCI www.fciconnect.com	
ltr	ecn no.	dr	date	linear	.XX±.01/0.X±0.3		COPY		 title 5P + 24S + 5P VERTICAL SOLDER RECEPT		
A					.XXX±.005/0.XXX±0.13		INCH/MM				
				angles	.XXX±.0020/0.XXX±0.051		scale		product family PwrBlade code		
				dr	° ± °		1:1		size 213		
				enr	T. BRUNGARD 12/01/03				sheet		
				chr	M. GRAY 12/01/03				4 of 4		
				appd	M. GRAY 12/01/03				A 51940-068		
sheet index		revision sheet								cage code 22526	

A

B

1 | 2

3 |

4

1 | 2

Pro/E

3 |

cage code 22526

4

PDM: Rev:A

STATUS: **Released**

Printed: Dec 20, 2010