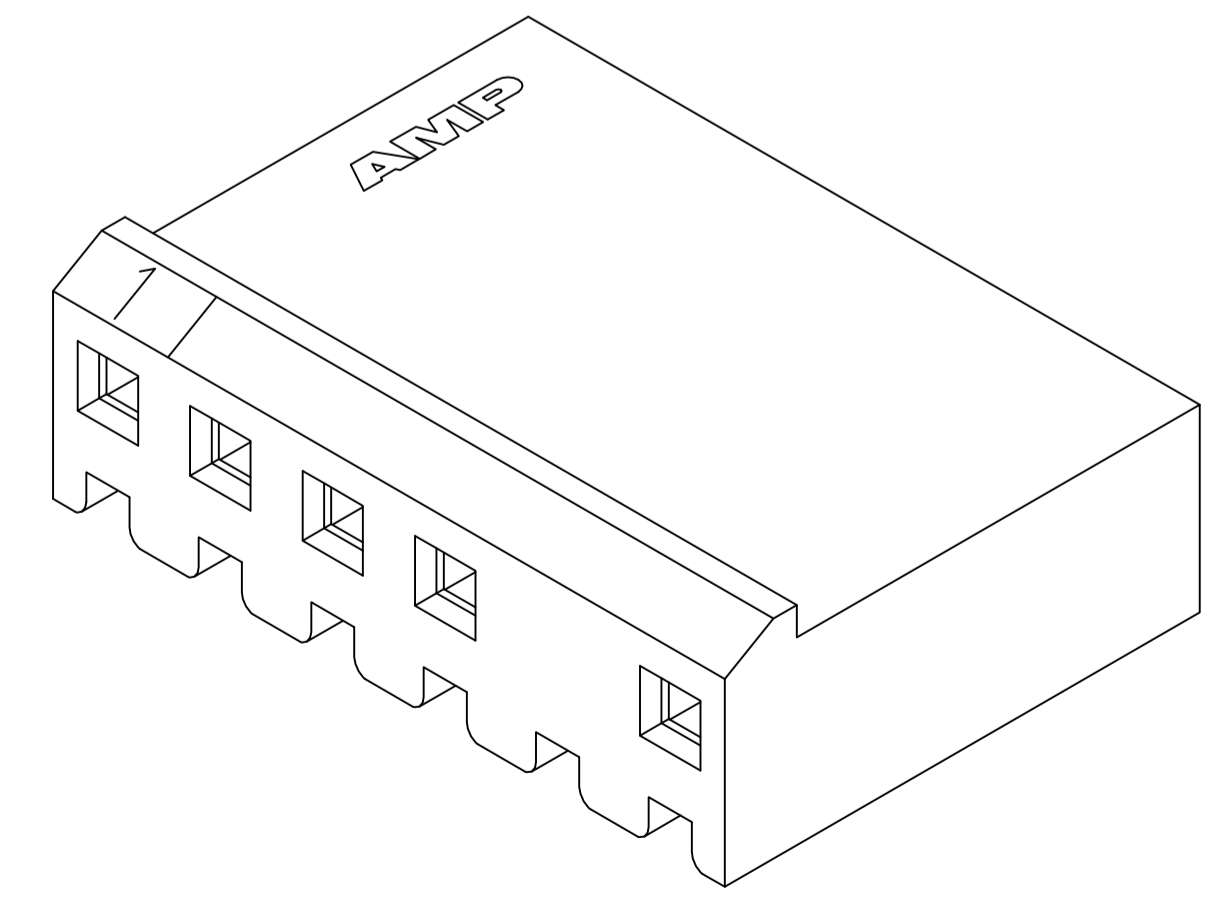
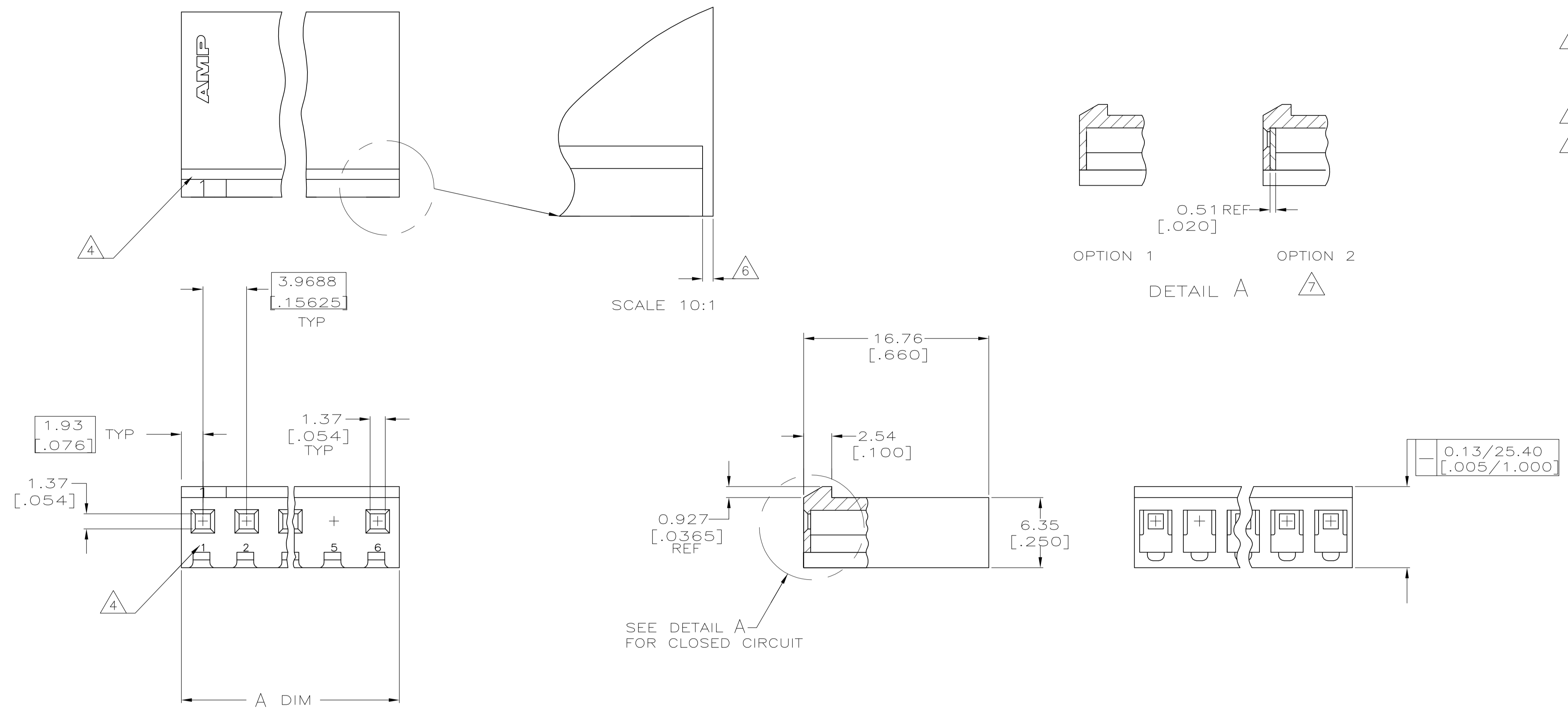


LOC	DIST	REVISIONS			
P	LTR	DESCRIPTION	DATE	DMN	APVD
C		REVISED PER ECO-12-007807	06AUG12	KH	SM

- 1 UNIT ACCEPTS 1.14 [.045] SQUARE OR ROUND POST.
- 2 UNIT ACCEPTS STANDARD SL-156 CONTACTS.
- 3 UNIT ACCEPTS KEYING PLUG 640254-1 AND KEYING PIN 640255-1.
- 4 CIRCUIT I.D. NUMBER(S), TO BE LOCATED SEQUENTIALLY AS SHOWN OR ONLY NO.1 CIRCUIT PLACED ON LOCKING RAMP.
- 5 DIMENSIONS IN BRACKETS ARE IN INCHES.
- 6 OPTIONAL CONSTRUCTION (BOTH CORNERS) UP TO 1.27 [.050]
- 7 DETAIL A SHOWS CIRCUIT NO. 5 MOLDED CLOSED. EITHER OPTION 1 OR OPTION 2 MAY BE USED.



23.70	[.933]	6	644233-6
A ±0.25 [.010]		NO. OF CIRCUITS	PART NUMBER

DIMENSIONS:		TOLERANCES UNLESS OTHERWISE SPECIFIED:		APPROVED:		NAME:	
mm	[INCHES]	0. PLC	± -	DIN	LEWIS	7-27-92	7-27-92
		1. PLC	± -	CHK	R. SWING	7-27-92	
		2. PLC	± -	APP'D	F. BEILES	9-28-92	
		3. PLC	± 0.13 [.005]	PRODUCT SPEC			
		4. PLC	± -	APPLICATION SPEC			
		ANGLES	± 0°30'				
MATERIAL	NYLON, UL 94V-0 NATURAL	FINISH	-	SIZE	A1	CAGE CODE	00779
				DRAWING NO	644233	RESTRICTED TO	
				WEIGHT		CUSTOMER DRAWING	
				SCALE	4:1	SHEET	1 OF 1
				REV	C		