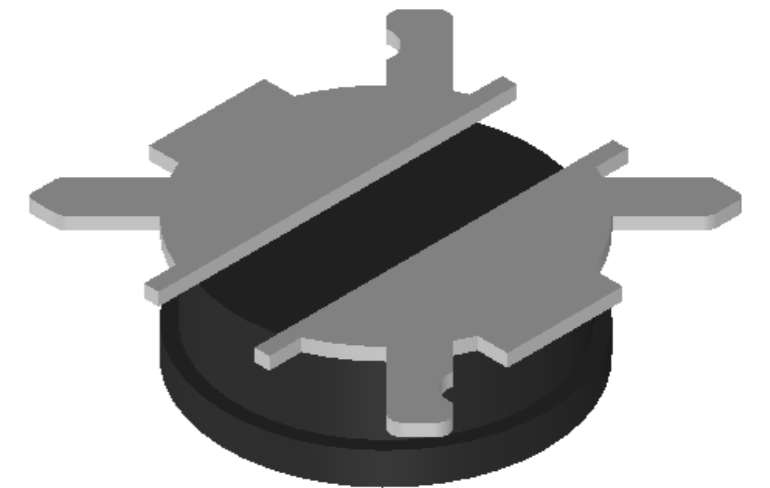
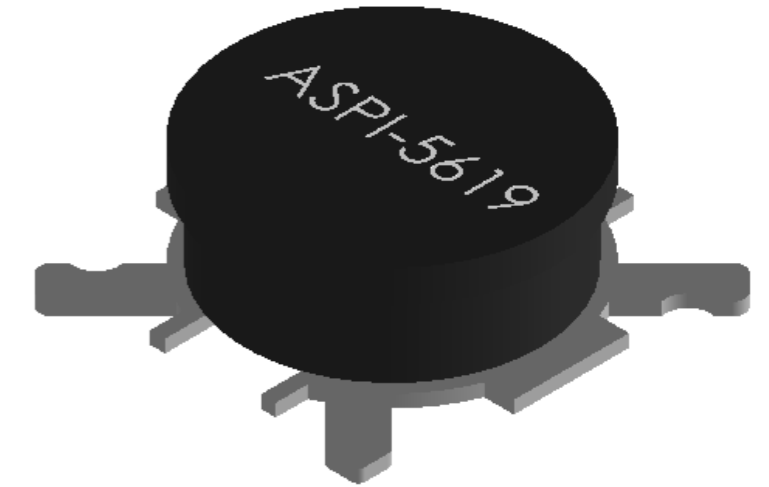
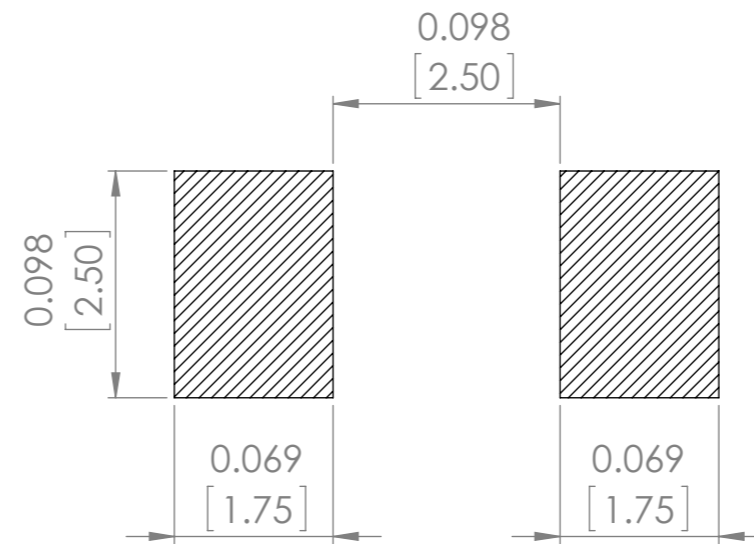



### Recommended Land Pattern



**TOP PACKAGE MARKING IS FOR ILLUSTRATION PURPOSES ONLY**

UNLESS OTHERWISE SPECIFIED: DIMENSIONS ARE IN INCH(MM) SURFACE FINISH: TOLERANCES: LINEAR: ANGULAR:				FINISH:		DEBUR AND BREAK SHARP EDGES		DO NOT SCALE DRAWING		REVISION -	
DRAWN SAAZVAT				SIGNATURE		DATE		 <b>ABRACON CORPORATION</b> 30332 Esperanza, Rancho Santa margarita, California 92688 TITLE: Unshielded DWG NO. ASPI-5619 SCALE: 12:1 SHEET 1 OF 1			
CHK'D XXXXXX											
APPV'D											
MFG											
Q.A											
						MATERIAL:				A3	
						WEIGHT:					