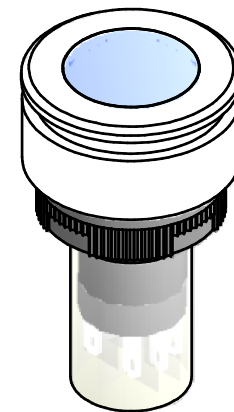
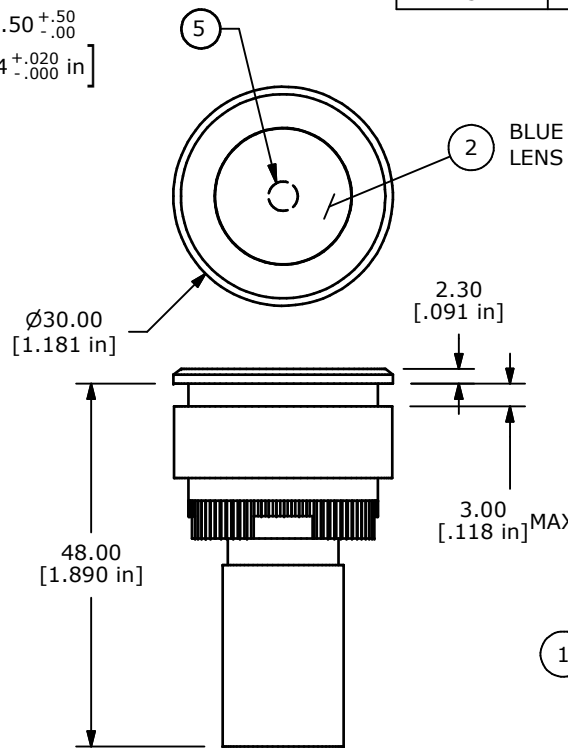
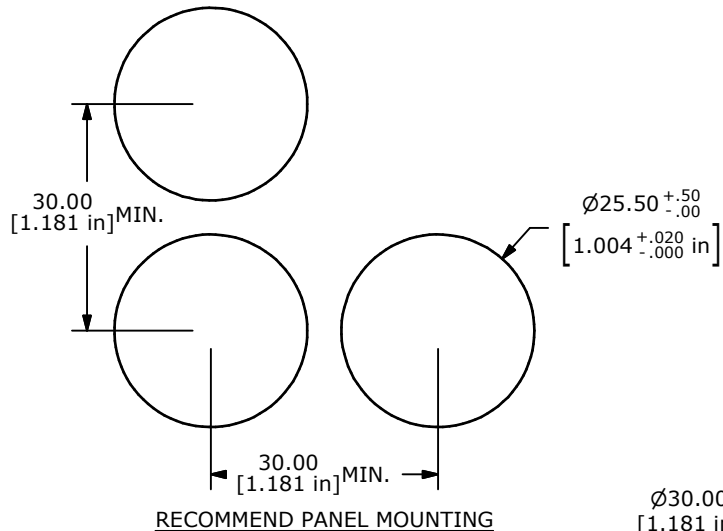


▲ Parts List

ITEM	QTY	PART NUMBER	DESCRIPTION
1	1	F060619	LAKEEV11 BODY
2	1	F060201	25 MM BLUE LENS
3	1	F051705	30MM FLUSH MOUNT RETAINER
4	1	F051704	30MM FLUSH MOUNT BEZEL
5	1	F050404	INCAND. LAMP 14 VAC or VDC, 80mA

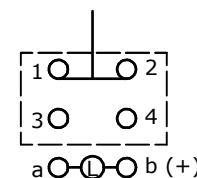


ISOMETRIC

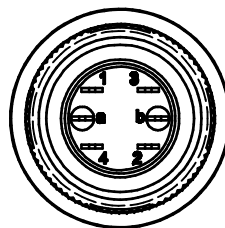
NOTES:

1. ALL DIMENSIONS IN MM [INCH].
2. GENERAL TOLERANCE: 0.0 = 0.4
0.00 = 0.25
3. TERM. NOS. FOR REF. ONLY.
- ▲ 4. RATING: 5A @250VAC
8A @125VAC
0.2A @250VDC
6A @24VDC
5. INSULATION: 1,000 MΩ MIN.
6. DIELECTRIC STRENGTH: 2000V FOR 1 MIN.
7. SEALED TO IP65.
8. TRAVEL: 3.0MM FULL TRAVEL, 2.0MM LATCH
9. ELECTRICAL LIFE: >50,000 CYCLES
10. OPERATING TEMP: -25C TO +55C
11. PANEL THICKNESS: 0.5MM TO 3.0MM
- ▲ 12. LAMP: INCANDESCENT 14V (AC or DC), 80mA
13. ▲ DENOTES CRITICAL PARAMETER.
14. PACKAGE: BOX/20 PCS PER.
15. 2002/95/EC (ROHS) COMPLIANT

PROTECTIVE COVER
REMOVED FOR
CLARITY



▲ SPDT
CONTACT CONFIGURATION



A	18307	RELEASE FOR PRODUCTION	11/17/08	BLR
REV	PCR NO	DESCRIPTION	DATE	BY

TITLE LAKEEV31BBLU				
SCALE	DATE	DR	DWG	REV
1:1	11/17/2008	BLR	XF0775P	A

THE INFORMATION CONTAINED IN THIS DOCUMENT IS PROPRIETARY TO E-SWITCH AND IS NOT TO BE COPIED OR TRANSFERRED