

## Peak Emission Wavelength: 670nm (2), 810nm (2), 950nm (2)

The MTMD6894T38 is a multi-chip emitter designed for applications requiring various emission sources in a small, densely packaged area. These devices can be custom designed for specific wavelengths and outputs.

### FEATURES

- > Hermetically Sealed TO-5 Metal Can Package
- > High Reliability
- > High Output Power

### APPLICATIONS

- > Medical Instrumentation
- > Currency Validation
- > Biofluorescence Analysis



## Absolute Maximum Ratings (Ta=25°C)



ITEMS	SYMBOL	RATINGS			UNIT
		670	810	950	
Forward Current (DC)	IF	50	100	100	mA
Forward Current (Pulse)*1	IFP	0.5	1	1	A
Reverse Voltage	VR		5		V
Power Dissipation	PD	110	190	100	mW
Operating Temperature Range	Topr		-20 ~ +85		°C
Storage Temperature Range	Tstg		-30 ~ +100		°C
Junction Temperature	Tj		100		°C
Lead Soldering Temperature*2	Tls		260		°C

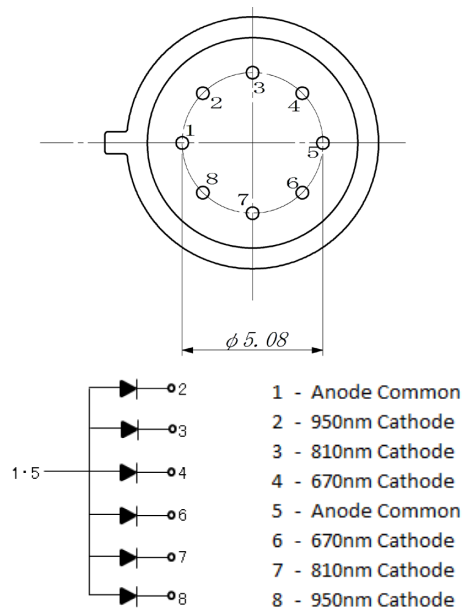
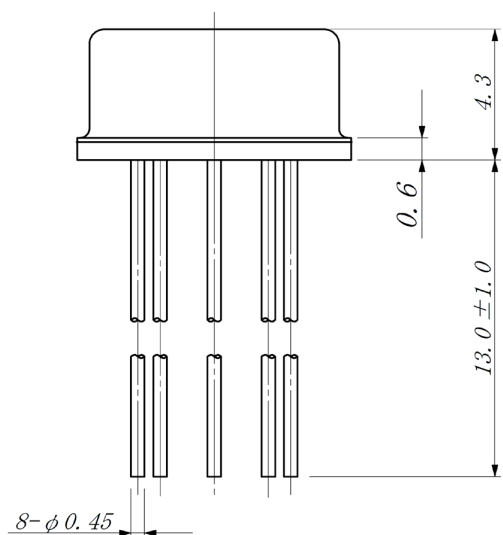
\*1: Tw=10µsec, T=10msec. \*2: Time 5 Sec max; Position: Up to 3mm from the body.

## Electrical & Optical Characteristics (Ta = 25°C)

ITEMS	SYMBOL	WAVELENGTH	CONDITIONS	MIN	TYP	MAX	UNIT
Forward Voltage	VF	670	IF=20mA	--	1.8	2.2	V
Forward Voltage	VF	810	IF=20mA	--	1.6	1.9	V
Forward Voltage	VF	950	IF=20mA	--	1.25	1.9	V
Reverse Current	IR	--	VR=5V	--	--	100	µA
Power Output	PO	670	IF=20mA	--	3.1	--	mW
Power Output	PO	810	IF=20mA	--	3.0	--	mW
Power Output	PO	950	IF=20mA	--	7.0	--	mW
Peak Emission Wavelength	λp	670	IF=20mA	--	670	--	nm
Peak Emission Wavelength	λp	810	IF=20mA	--	810	--	nm
Peak Emission Wavelength	λp	950	IF=20mA	--	950	--	nm
Spectral Line Half Width	Δλ	670	IF=20mA	--	25	--	nm
Spectral Line Half Width	Δλ	810	IF=20mA	--	30	--	nm

Electrical & Optical Characteristics (Ta = 25°C) (Continued)

ITEMS	SYMBOL	WAVELENGTH	CONDITIONS	MIN	TYP	MAX	UNIT
Spectral Line Half Width	$\Delta\lambda$	950	IF=20mA	--	45	--	nm



Unit: mm, Tolerance: ±0.2

