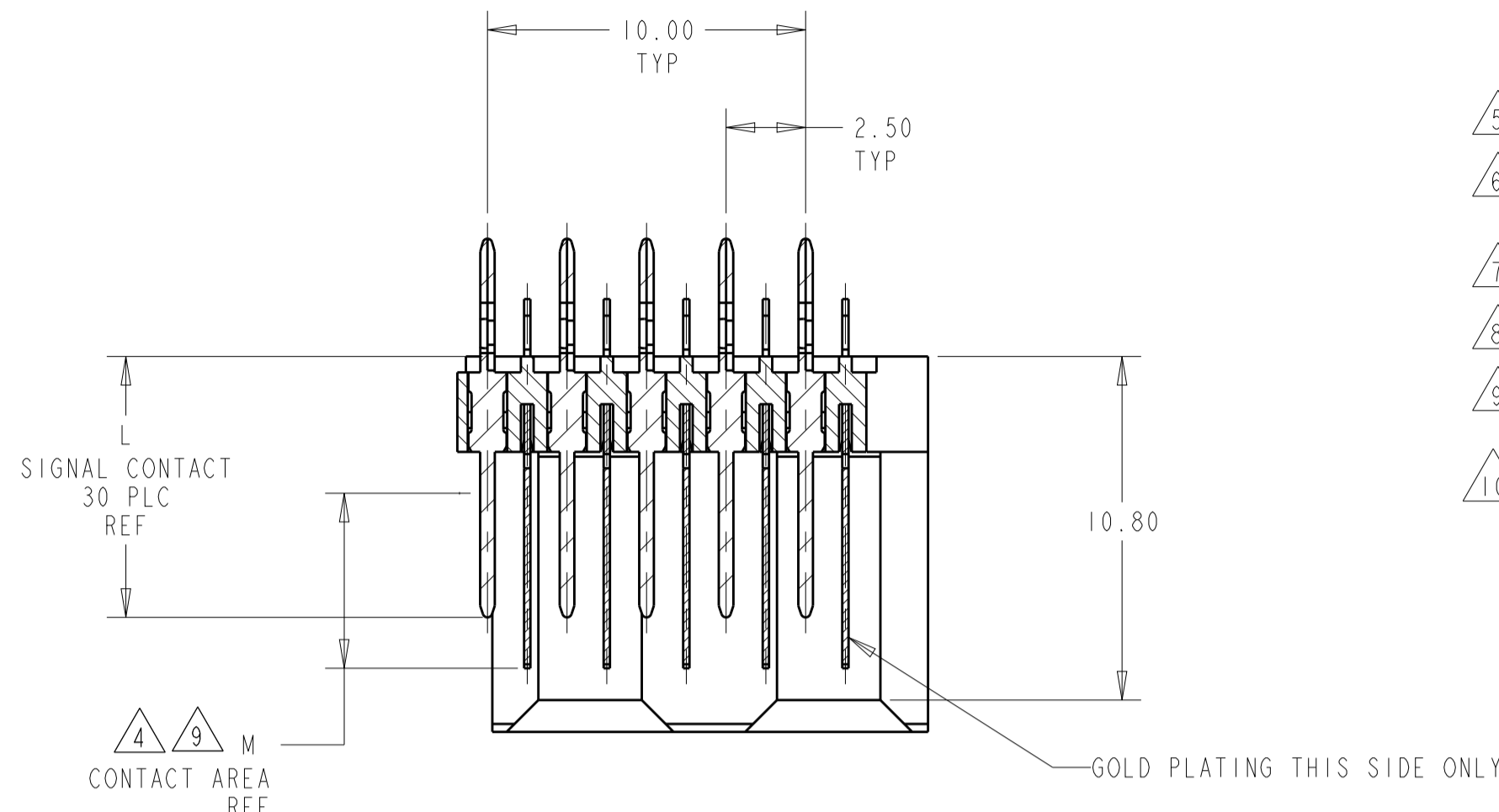
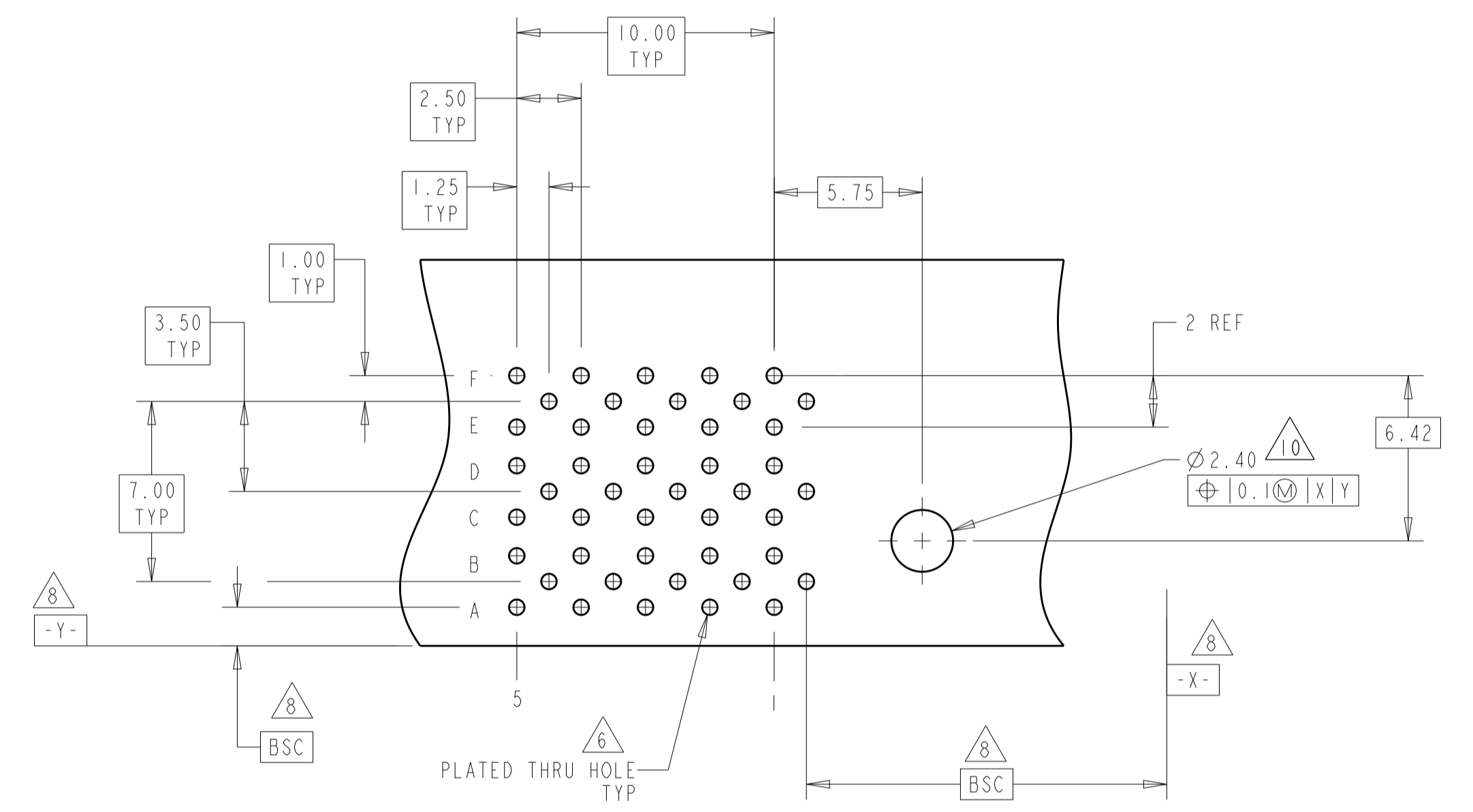
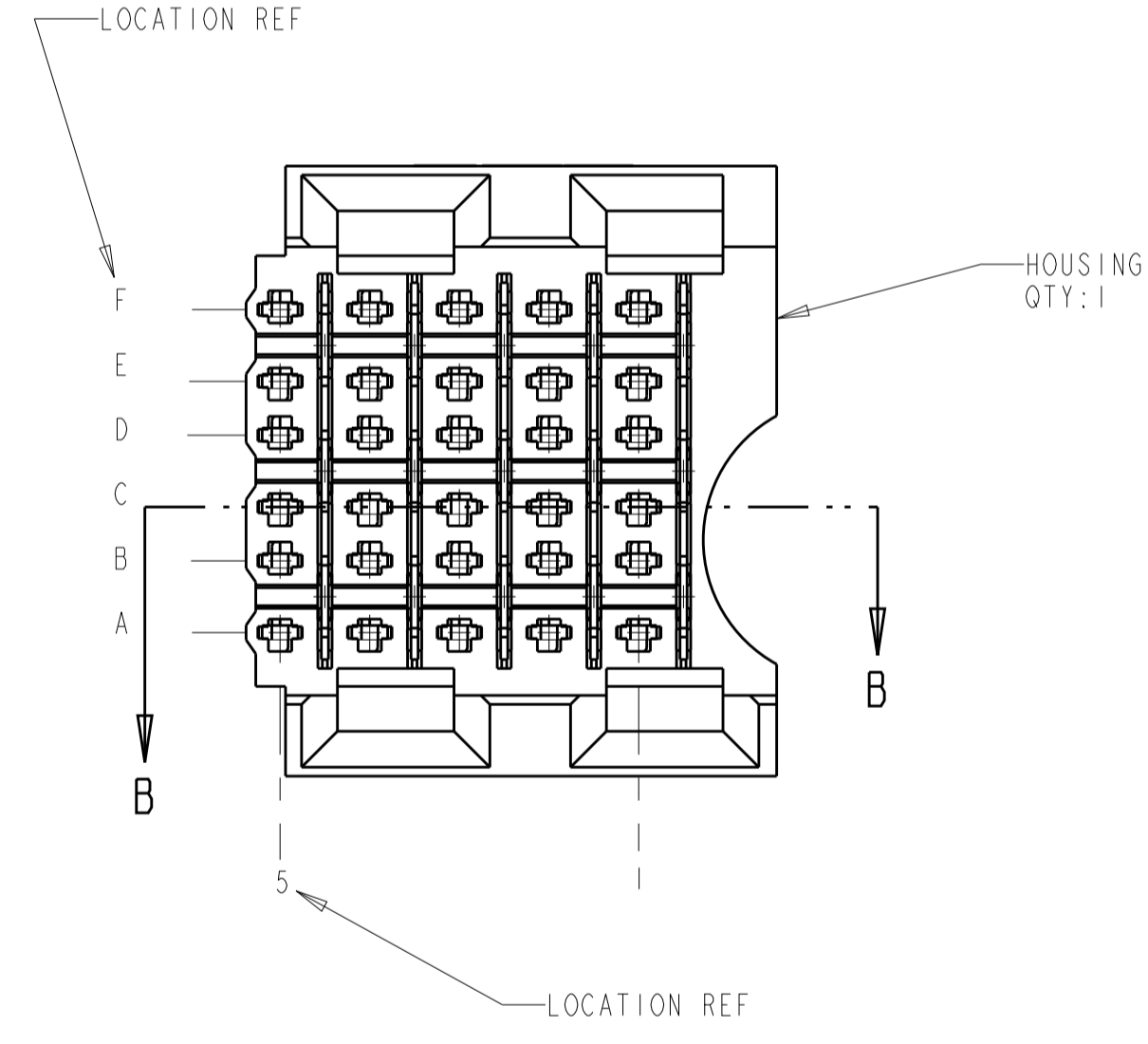
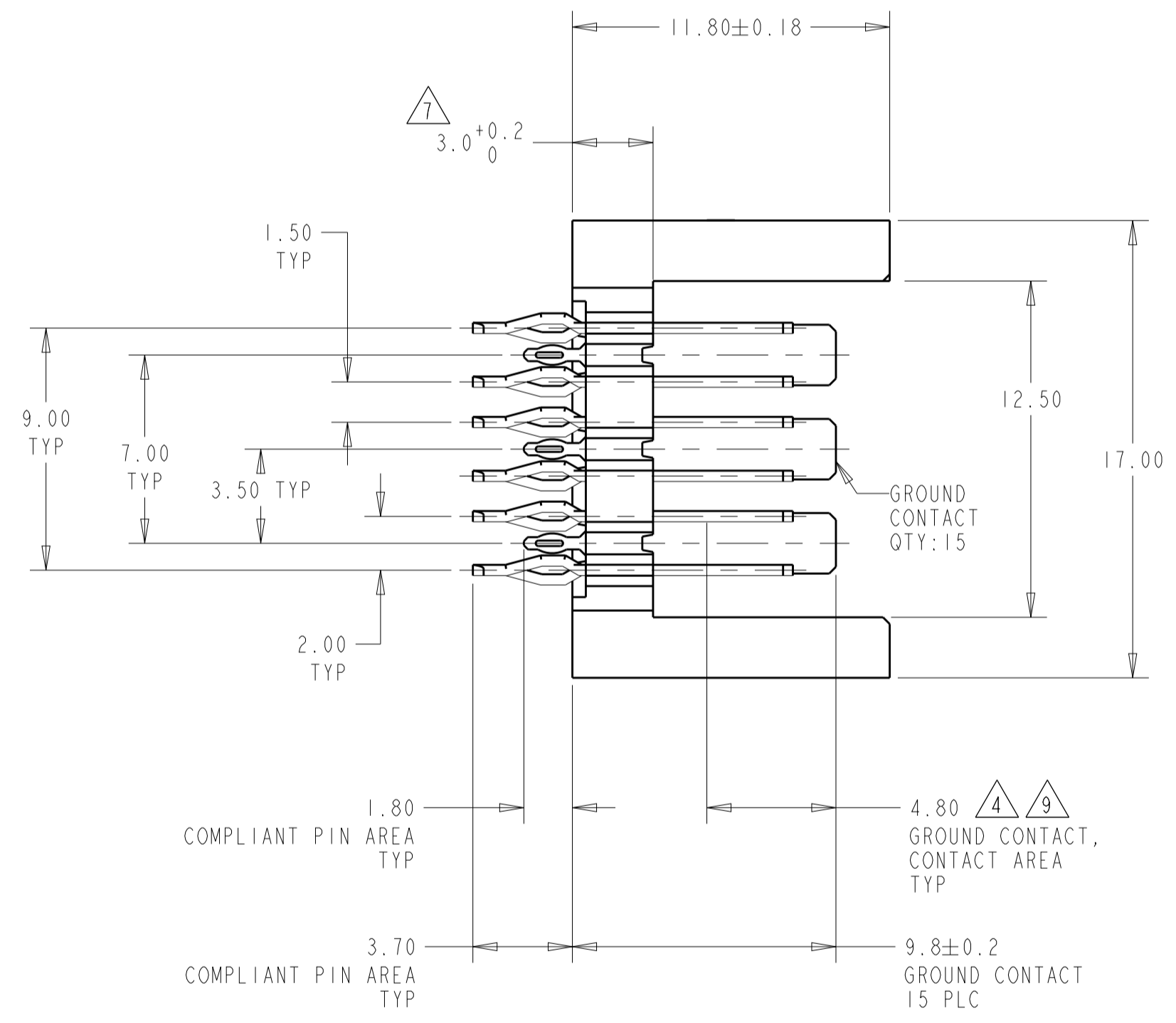


| LOC | DIST | REV | DATE | BY | APPV |
|-----|------|-----|-----------|----|------|
| AD | 00 | B | 23AUG2012 | KH | JE |

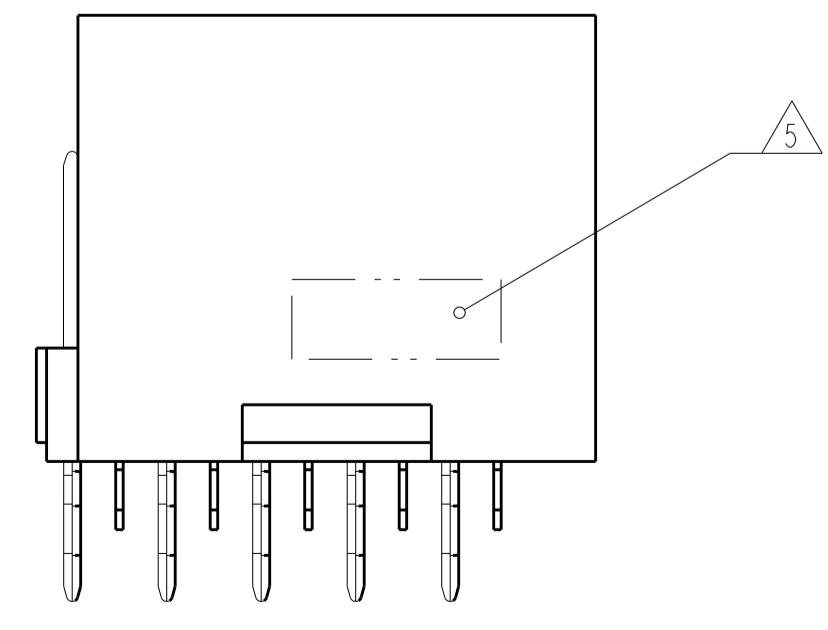
- 2 PHOSPHOR BRONZE
- 3 GLASS FILLED POLYESTER
- 4 FINISH:
CONTACT MATING AREA MEETS THE PERFORMANCE REQUIREMENTS OF
TE CONNECTIVITY PRODUCT SPECIFICATION 108-1957; BASED ON
TELCORDIA GR-1217-CORE, APPLICATIONS IN UNCONTROLLED ENVIRONMENTS.
COMPLIANT PIN AREA: 0.5µm MIN MATTE TIN OVER BASE PLATING.
- 5 CONNECTOR MARKED WITH PART NUMBER AND DATE CODE
- 6 REFERENCE APPLICATION SPEC 114-13020 FOR RECOMMENDED
PLATED THRU HOLE DIAMETER AND PLATING THICKNESS.
- 7 APPLICATION SEATING HEIGHT TO PRINTED CIRCUIT BOARD
- 8 DATUMS AND BASIC DIMENSIONS ESTABLISHED BY CUSTOMER
- 9 CONTACT AREA LUBRICATED WITH BELLCORE APPROVED LUBRICANT
TECHNICAL REFERENCE: GR-1217-CORE, ISSUE 1, NOVEMBER 1995
- 10 HOLE DIAMETER SHOULD BE 3.10 WHEN USING FEED THROUGH GUIDE PIN P/N 120759
CLEARANCE FOR A M3x0.5 THREAD



SECTION B-B



RECOMMENDED
PRINTED CIRCUIT BOARD
LAYOUT
COMPONENT SIDE OF PRINTED CIRCUIT BOARD



| | | |
|------|-----|-------------|
| 5.50 | 9.7 | 5120678-2 |
| 5.50 | 8.2 | 5120678-1 |
| M | L | PART NUMBER |

| | | | | |
|--|-------------------|----------------------------|--|--|
| THIS DRAWING IS A CONTROLLED DOCUMENT. | | OWN: B. CARBO 07DEC04 | TE Connectivity | |
| DIMENSIONS: mm | | CHK: R. PATTERSON 07DEC04 | NAME: HEADER ASSEMBLY, 30 POSITION, LEFT HAND, 6 ROW, Z-PACK HSS | |
| TOLERANCES UNLESS OTHERWISE SPECIFIED: | | APPV: R. PATTERSON 07DEC04 | SIZE: A1 | |
| 0 PLC | ± | PRODUCT SPEC | CAGE CODE: 00779 | |
| 2 PLC | ±0.13 | APPLICATION SPEC | DRAWING NO: 5120678 | |
| 3 PLC | ±0.05 | WEIGHT | SCALE: 5:1 | |
| 4 PLC | ± | RESTRICTED TO | SHEET 1 OF 1 | |
| ANGLES | ± | REV | REV B | |
| MATERIAL: HOUSING: 3 | FINISH: 4 | CUSTOMER DRAWING | | |
| CONTACTS: 2 | SIGNAL CONTACT: 4 | | | |