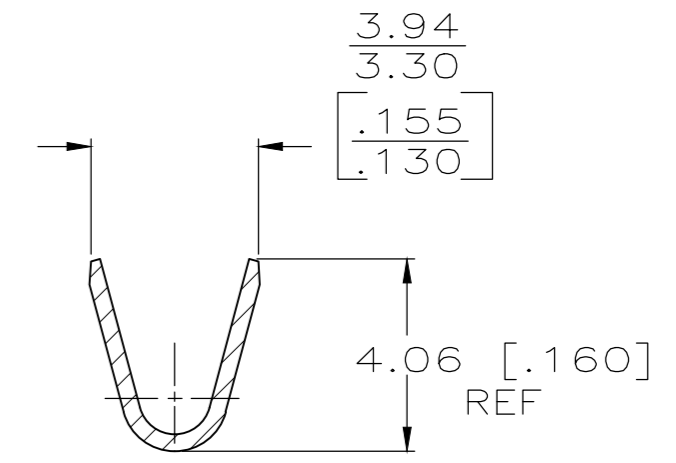
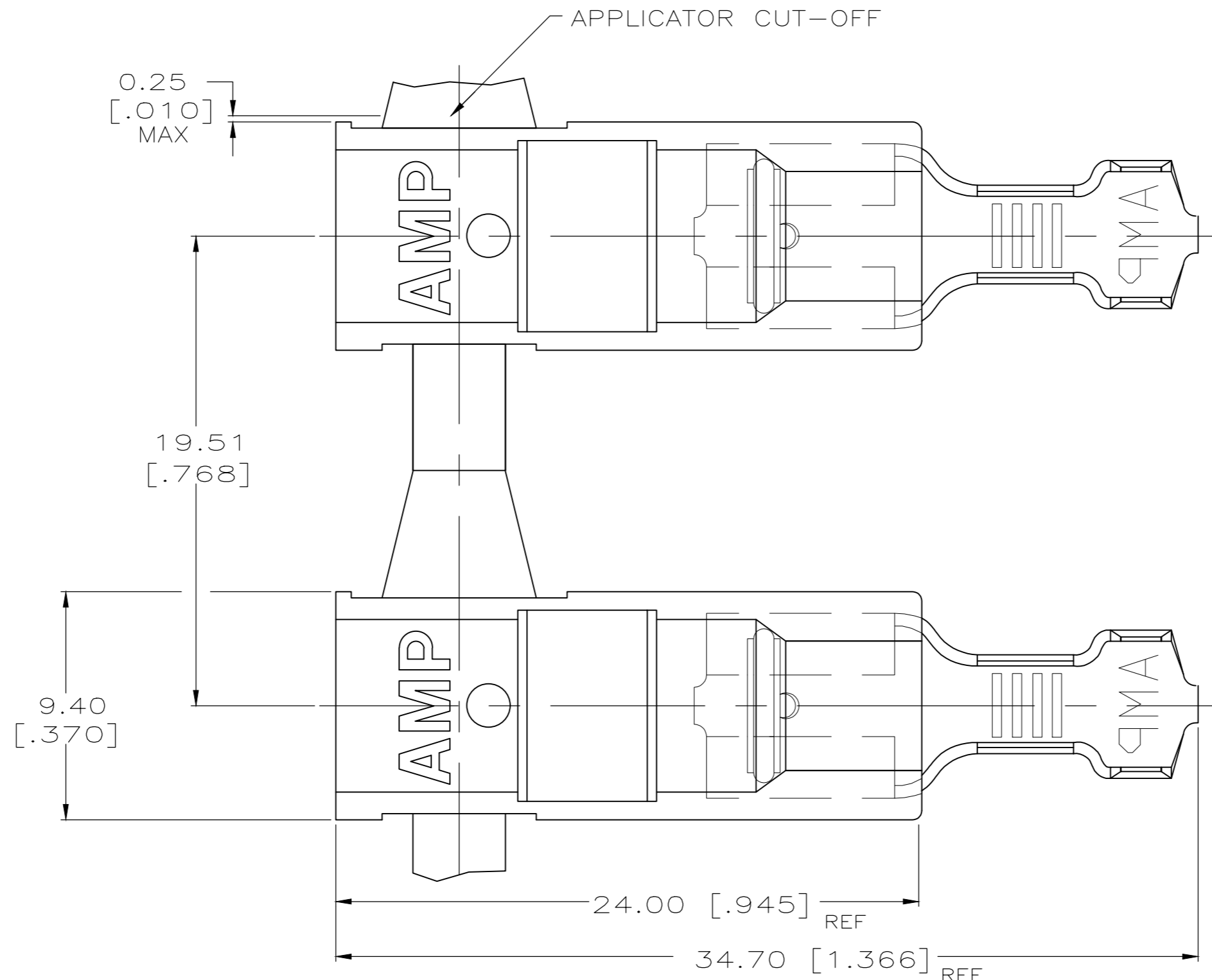
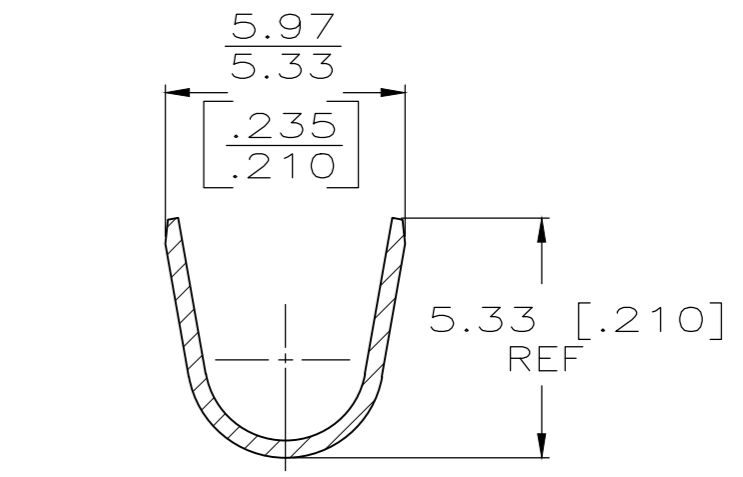
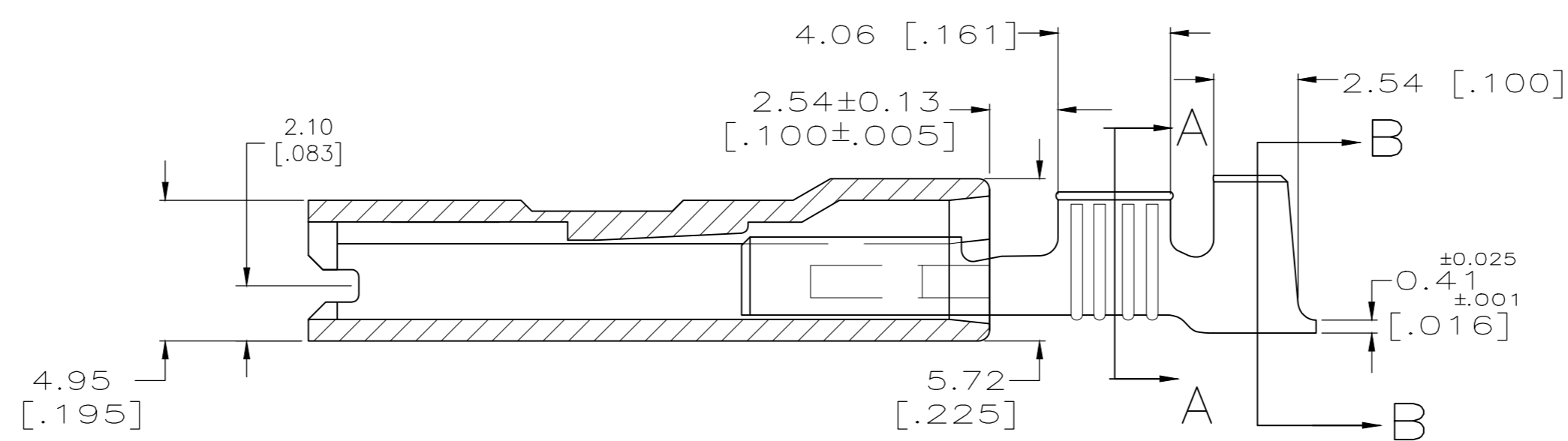


REVISIONS				
P	LTR	DESCRIPTION	DATE	APVD
B6		REVISED PER ECO-18-007670	16MAY2018	RS DS



SECTION A-A



SECTION B-B

- 1 BUDGET FASTON TERMINALS, BASE P/N 63884, ARE USED IN THIS PRODUCT.
- 2 WIRE SIZE 0.8-2.0mm [18-14] AWG
- 3 INSULATION RANGE IS 2.79-4.32[.110-.170] DIA.
- 4 MATING TAB THK IS 0.813±0.025[.032±.001].
- 5 OFFERED FOR CONSIDERATION IN APPLICATIONS REQUIRING "NON-DRIP" HOUSING MATERIAL.

- △ OBSOLETE PARTS
- △ AGENCY APPROVAL IS PENDING.

△ 7	-	MATERIAL: 4M BRASS FINISH: PLAIN	66 NYLON V0 NATURAL	521848-3										
△ 6	STANDARD	MATERIAL: 4M BRASS FINISH: 0.002032 [.000080] MIN TIN	VO, NYLON 66, NATURAL (WHITE)	521848-2										
	STANDARD	MATERIAL: 4M BRASS FINISH: PLAIN		521848-1										
	PACKAGING	TERMINAL	HOUSING	PART NO.										
THIS DRAWING IS A CONTROLLED DOCUMENT.		DWN JR RUTH 15SEP05												
DIMENSIONS: mm [INCHES]		CHK G PORTA 15SEP05												
TOLERANCES UNLESS OTHERWISE SPECIFIED:		APVD G PORTA 15SEP05												
<table border="1"> <tr><td>0 PLC</td><td>± -</td></tr> <tr><td>1 PLC</td><td>± -</td></tr> <tr><td>2 PLC</td><td>± -</td></tr> <tr><td>3 PLC</td><td>± 0.25 [.010]</td></tr> <tr><td>4 PLC</td><td>± -</td></tr> <tr><td>ANGLES</td><td>± -</td></tr> </table>		0 PLC			± -	1 PLC	± -	2 PLC	± -	3 PLC	± 0.25 [.010]	4 PLC	± -	ANGLES
0 PLC	± -													
1 PLC	± -													
2 PLC	± -													
3 PLC	± 0.25 [.010]													
4 PLC	± -													
ANGLES	± -													
MATERIAL SEE TABLE	FINISH SEE TABLE	PRODUCT SPEC 108-1285	ASSEMBLY, ULTRA-POD, RECEPTACLE, 6.35 [.250] SERIES											
		APPLICATION SPEC 114-2124	SIZE A2	CAGE CODE 00779										
		WEIGHT 0	DRAWING NO C=521848	RESTRICTED TO -										
		CUSTOMER DRAWING	SCALE 5:1	SHEET 1 of 1										
			REV B6											