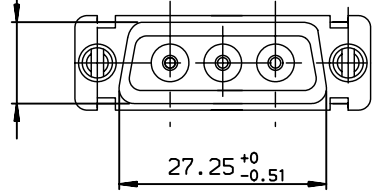
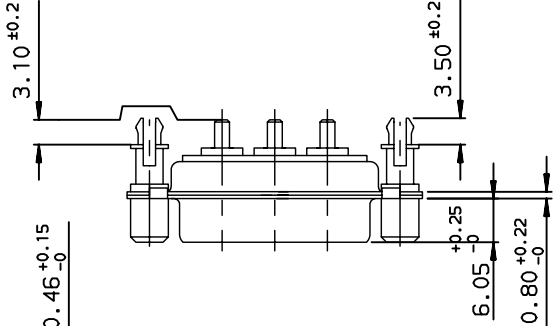
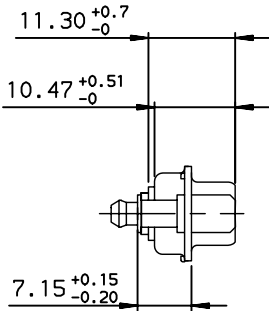
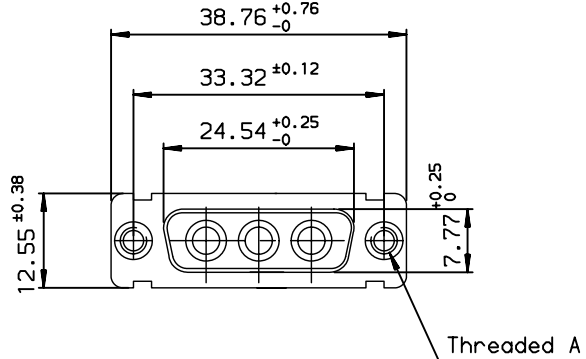
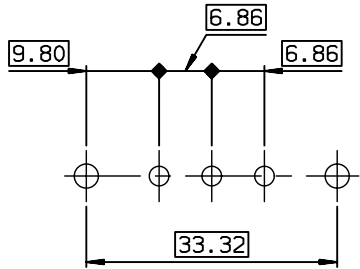


GENERAL CHARACTERISTICS AND ROHS INFORMATIONS

SEE DRAWING C01-8639-0001



LAYOUT DIMENSIONS (after plating)
CONNECTOR SIDE VIEW



DAI3W3S300G30LF	M3
PART NUMBER LEAD FREE	Threaded A

DAI3W3S300G30	M3
DAV3W3S300G30	UNC 4.40
PART NUMBER TIN LEAD	Threaded A

European Views

www.fciconnect.com		surface ISO 1302 ✓	tolerance std ISO 406 ISO 1101	projection mm
		TOLERANCES UNLESS OTHERWISE SPECIFIED		size A3
Dr	JARRY	24/08/95	0.X	±0.1
Eng	P LEGARE	21/03/07	0.XX	±0.1
Chr	P LEGARE	21/03/07	0.XXX	±0.1
Appr	-	-	ANGULAR	LINEAR
		Product family	DSUB	Spec ref -
FCJ		SUB D FEMMELE 3W3		dwg no C01-8639-0588
		STRAIGHT POWER CONTACTS 30A		Rev. D
		catalog no	-	CUSTOMER sheet 1 of 1

rev	ecn no	dr	date
C	LS07-0088	MPE	2007/03/26
D	LS07-0120	MPE	2007/04/27
-	-	-	-
-	-	-	-
-	-	-	-
-	-	-	-

Copyright FCI. FCJ