

35	31.2	29	52271-3017	30
31	27.2	25	-2617	26
29	25.2	23	-2417	24
28	24.2	22	-2317	23
27	23.2	21	-2217	22
26	22.2	20	-2117	21
24	20.2	18	-1917	19
23	19.2	17	-1817	18
22	18.2	16	-1717	17
21	17.2	15	-1617	16
20	16.2	14	-1517	15
19	15.2	13	-1417	14
18	14.2	12	-1317	13
17	13.2	11	-1217	12
16	12.2	10	-1117	11
15	11.2	9	-1017	10
14	10.2	8	-0917	9
13	9.2	7	-0817	8
11	7.2	5	-0617	6
10	6.2	4	-0517	5
9	5.2	3	52271-0417	4
C	B	A	ENG. NO.	極数 CKT.

注記 NOTES

△ 接点部までの嵌合長さ。
LENGTH TO CONTACT POINT.

2. 使用材料 MATERIAL
ハウジング : 46ナイロン, UL94V-0
ハウジング HOUSING : 46NYLON, UL94V-0
アクチュエータ : PPS, UL94V-0
アクチュエータ ACTUATOR : PPS, UL94V-0
ターミナル : リン青銅 (t=0.25)
ターミナル TERMINAL : PHOS-BRO.(t=0.25)
メッキ : Sn-Pb(9:1), 下地Cu
メッキ PLATING : Sn-Pb(9:1), Cu(UNDER PLATING)
金具 : 銅合金 (t=0.25)
金具 FITTING NAIL : COPPER ALLOY (t=0.25)
メッキ : Sn-Pb(9:1), 下地Cu
メッキ PLATING : Sn-Pb(9:1), Cu(UNDER PLATING)

△ パターンはくり止め用金具
FITTING NAIL FOR PREVENTION OF PEELING OF P.C.B.PATTERN.

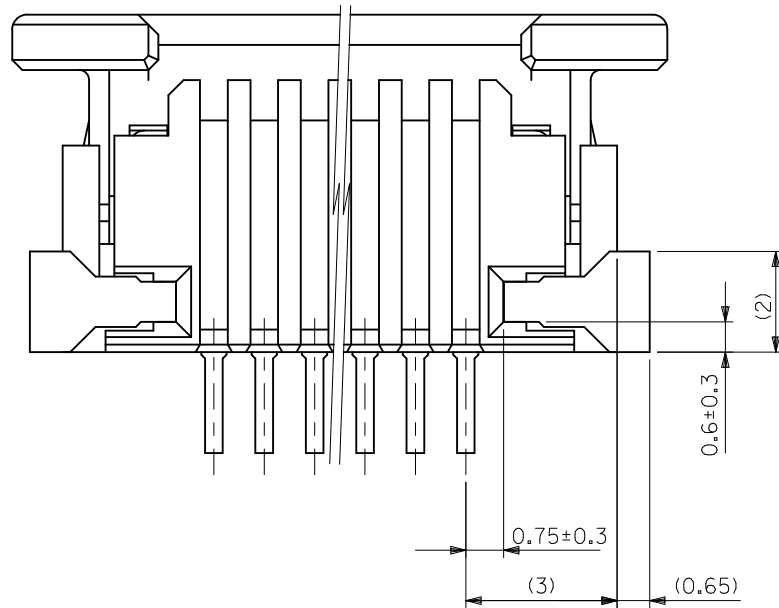
4. エンボステーパ梱包時は、アクチュエータがロックした状態とする。
WHEN CONNECTOR IS SHIPPED, ACTUATOR SHOULD BE LOCKED.

△ FPC挿入深さ。
INSERTION DEPTH OF FPC

△ パターン書き込み禁止エリア。
NO FOOT PRINT AREA.

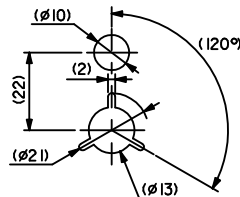
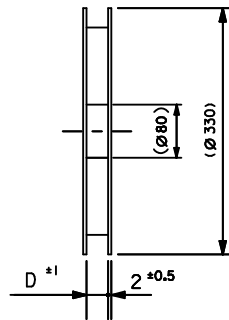
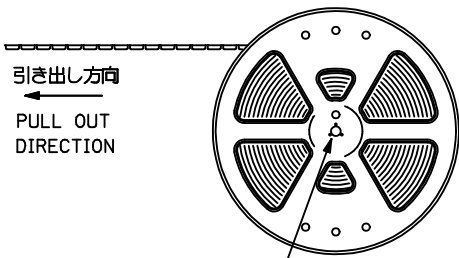
REVISED EC NO: J2011-0849 C REV	DRW: NAISHI 2011/02/03	2011/02/03	GENERAL TOLERANCES (UNLESS SPECIFIED)	DIMENSION STYLE MM ONLY	SCALE ---	DESIGN UNITS METRIC	THIRD ANGLE PROJECTION
	CHKD: KAKAHASHI 2011/02/03	2011/02/03	10 UNDER ±0.2	DRAWN BY TNIITSU	DATE 1996/10/15	TITLE 1.0 FPC CONN ZIF SMT (BOTTOM CONTACT)	
	APPR: KMORIKAWA 2011/02/22	2011/02/22	10 OVER 30 UNDER ±0.25	CHECKED BY MFUKUSHIMA	DATE 1997/07/14	MOLEX INCORPORATED	
	DESCRIPTION		30 OVER ±0.3	APPROVED BY MMORIKAWA	DATE 2011/02/22	DOCUMENT NO. SD-52271-042	SHEET NO. 1 OF 2
		ANGULAR ±3 °	SEE CHART		THIS DRAWING CONTAINS INFORMATION THAT IS PROPRIETARY TO MOLEX INCORPORATED AND SHOULD NOT BE USED WITHOUT WRITTEN PERMISSION		
		DRAFT WHERE APPLICABLE MUST REMAIN WITHIN DIMENSIONS	SIZE A3				

10 9 8 7 6 5 4 3 2 1

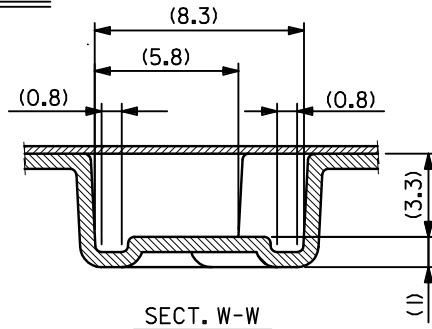
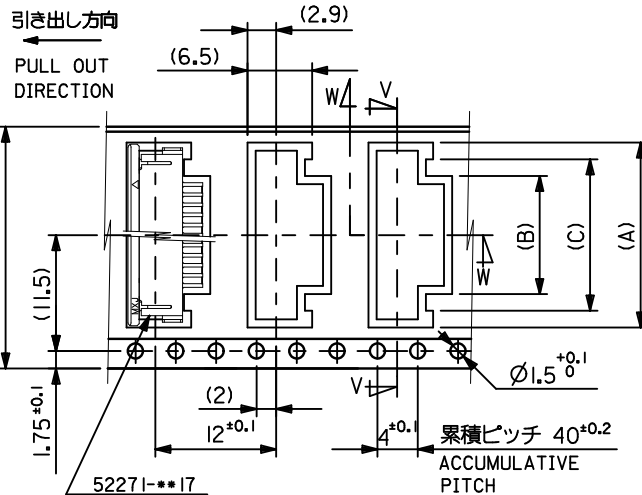
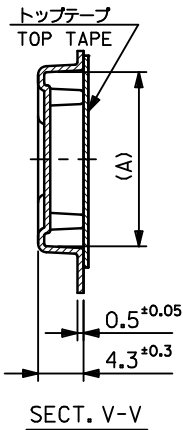


下面図

REVISED EC NO: J2011-08/9 DRAWN: AISHII 2011/02/03 CHK'D: TAKAHASHI 2011/02/03 APP'R: KMORIKAWA 2011/02/22	DESCRIPTION	GENERAL TOLERANCES (UNLESS SPECIFIED)		DIMENSION STYLE	SCALE	DESIGN UNITS	THIRD ANGLE PROJECTION		
		10 UNDER	±0.2	MM ONLY	---	METRIC			
		10 OVER 30 UNDER	±0.25	DRAWN BY	DATE	TITLE			
		30 OVER	±0.3	TNIITSU	1996/10/15	1.0 FPC CONN ZIF SMT (BOTTOM CONTACT)			
		ANGULAR	±3 °	CHECKED BY	DATE				
		DRAFT WHERE APPLICABLE MUST REMAIN WITHIN DIMENSIONS		MFUKUSHIMA	1997/07/14				
				APPROVED BY	DATE				
				KMORUKAWA	2011/02/22				
				MATERIAL NO.	DOCUMENT NO.		SHEET NO.		
				SEE CHART	SD-52271-042		2 OF 2		
				SIZE	THIS DRAWING CONTAINS INFORMATION THAT IS PROPRIETARY TO MOLEX INCORPORATED AND SHOULD NOT BE USED WITHOUT WRITTEN PERMISSION				
				A3					



DETAIL "E"

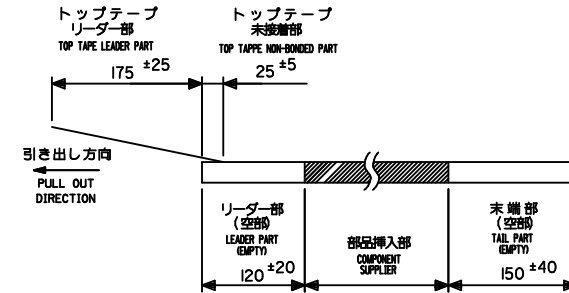


NOTES

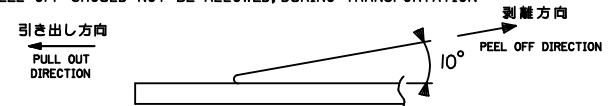
1. 製品番号 52271-***17 の梱包状態はアクチュエータがロックした状態とする。
詳細寸法については 図面 SD-52271-***17 を参照下さい。
IN THE PACKAGE, ACTUATOR OF PART NO. 52271-***17 SHOULD BE LOCKED
RE DETAILED DIMENSIONS, SEE SD-52271-***17

2. 梱包数量: 1000個/リール
NUMBER OF CONNECTORS: 1000 PCS/REEL

3. リードテープ長さ LEAD TAPE LENGTH



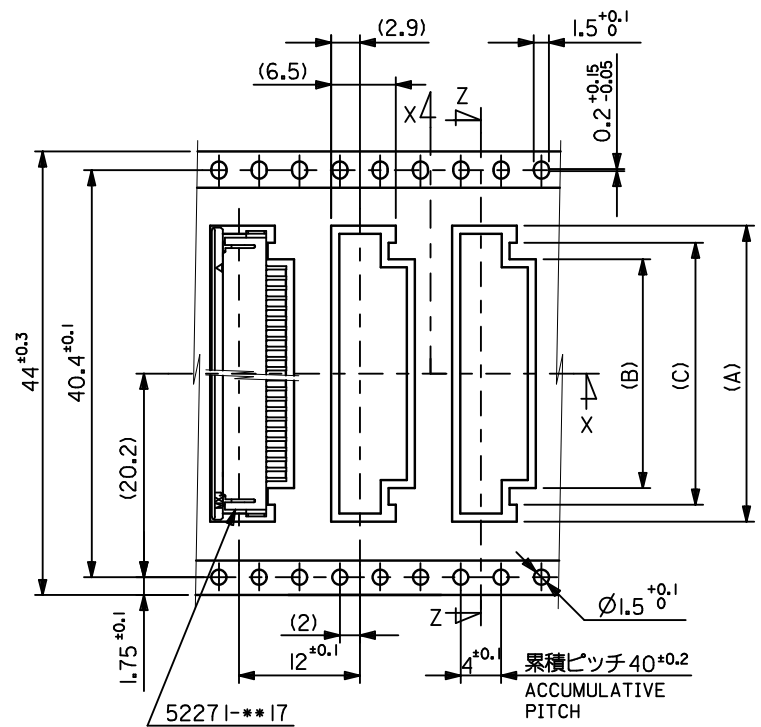
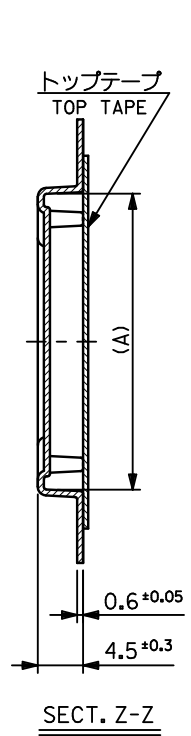
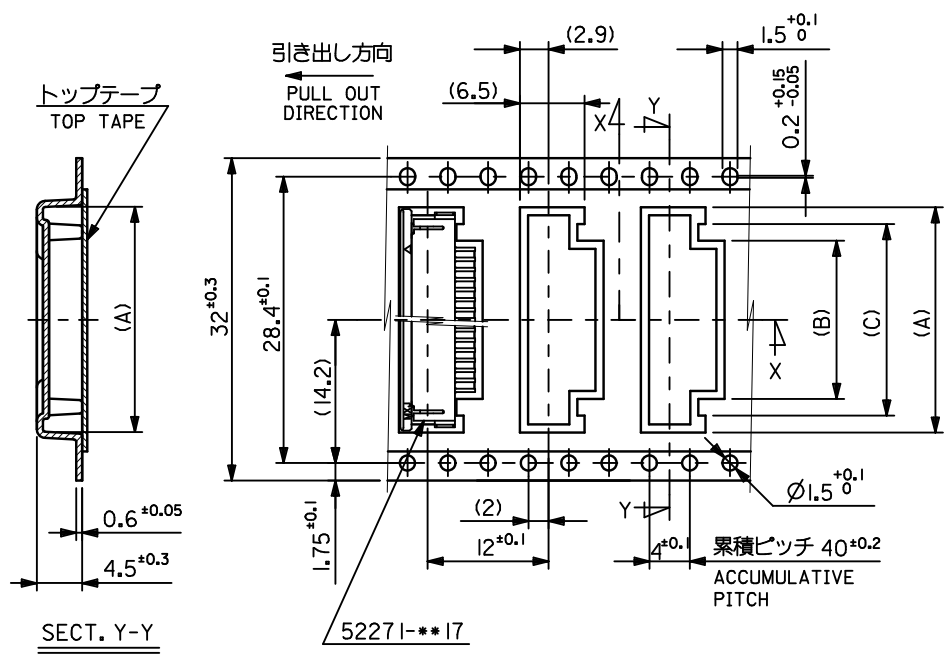
4. トップテープの剥離強度: 60gf MAX. (剥離方向は下図参照)
尚、本規格値は、出荷時に適用。(但し、輸送時に剥離が発生しない事。)
PEELING OFF FORCE OF TOP TAPE: 60gf MAX.
(PEELING DIRECTION AS SHOWN IN FOLLOWING FIG.)
THIS REQUIREMENT SHOULD BE APPLIED AT SHIPMENT
PEEL OFF SHOULD NOT BE ALLOWED, DURING TRANSPORTATION



5. 材料 (MATERIAL)
キャリアテープ (CARRIER TAPE): ポリプロピレン (POLYPROPYLENE)
トップテープ (TOP TAPE): PET, PE, PEF
リール (REEL): ポリスチレン (PS) <リサイクル材を含む>
POLYSTYREN (PS) <RECYCLE MATERIAL CONTAINED>

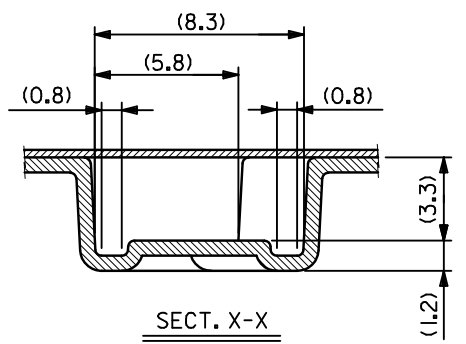
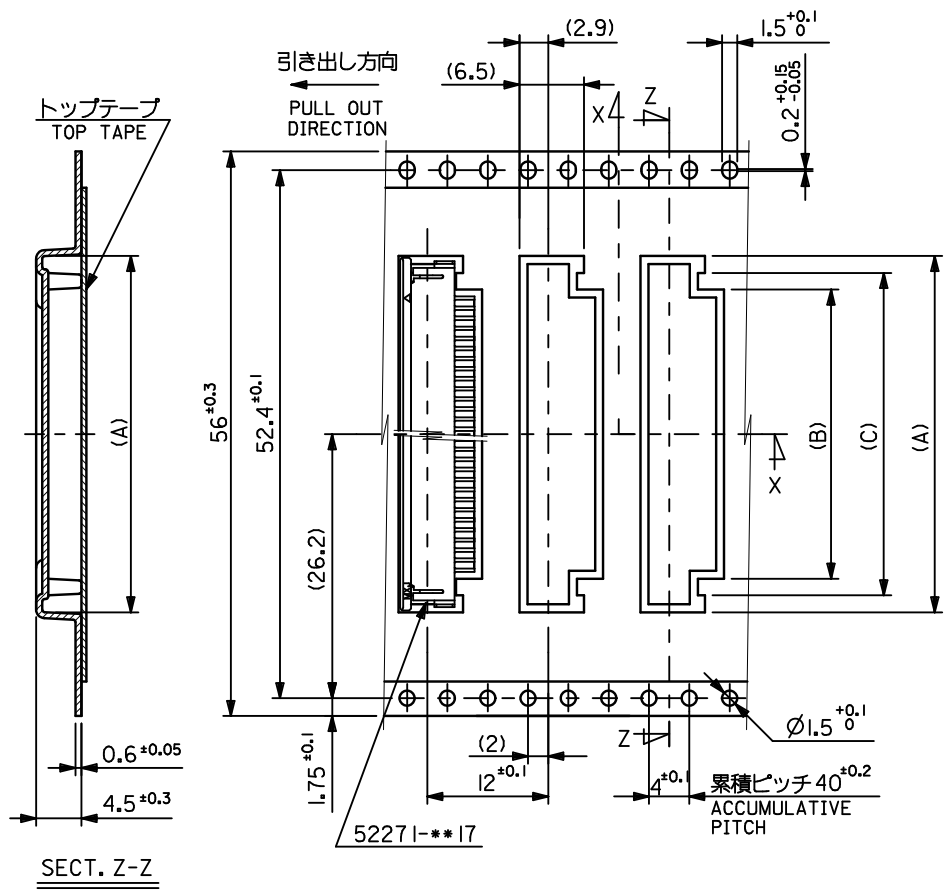
24	25.5	15	11.4	18.3	52271-1190	11	
		14	10.4	17.3	-1090	10	
		13	9.4	16.3	-0990	9	
		12	8.4	15.3	-0890	8	
		10	6.4	13.3	-0690	6	
		9	5.4	12.3	-0590	5	
		8	4.4	11.3	52271-0490	4	
		キャリアテープ幅 CARRIER TAPE WIDTH		D	(C)	(B)	(A)

REVISED EC NO: J2011-0849 M	DESCRIPTION 2011/02/02 2011/02/02 2011/02/22	GENERAL TOLERANCES (UNLESS SPECIFIED)		DIMENSION STYLE MM ONLY		SCALE ---		DESIGN UNITS METRIC		THIRD ANGLE PROJECTION	
		10 UNDER	± ---	DRAWN BY STADOKORO	DATE 1988/09/29	TITLE EMBOSSD TAPE PACKAGE FOR 52271-***17					
		10 OVER 30 UNDER	± ---	CHECKED BY SKUNISHI	DATE 2000/12/20	APPROVED BY MORIKAWA 2000/02/22					
		30 OVER	± ---	MATERIAL NO. SEE CHART		DOCUMENT NO. SD-52271-043		SHEET NO. 1 OF 3			
ANGULAR ± --- °		DRAFT WHERE APPLICABLE MUST REMAIN WITHIN DIMENSIONS		THIS DRAWING CONTAINS INFORMATION THAT IS PROPRIETARY TO MOLEX INCORPORATED AND SHOULD NOT BE USED WITHOUT WRITTEN PERMISSION							



44	45.5	30	26.4	33.35	52271-2690	26
		28	24.4	31.35	-2490	24
		27	23.4	30.35	-2390	23
		26	22.4	29.35	-2290	22
		25	21.4	28.35	-2190	21
		23	19.4	26.35	-1990	19
		22	18.4	25.35	-1890	18
		21	17.4	24.35	-1790	17
		20	16.4	23.35	-1690	16
		19	15.4	22.35	-1590	15
32	33.5	18	14.4	21.35	-1490	14
		17	13.4	20.35	-1390	13
		16	12.4	19.35	52271-1290	12
		(C)	(B)	(A)	MATERIAL NO.	種数
		D				種数

REVISED EC NO: J2011-0849 DRW: NAISHI 2011/02/02 CHK: D: TAKAHASHI 2011/02/02 APPR: KMORIKAWA 2011/02/22 M REV	DESCRIPTION GENERAL TOLERANCES (UNLESS SPECIFIED) 10 UNDER ± --- 10 OVER 30 UNDER ± --- 30 OVER ± --- ANGULAR ± --- ° DRAFT WHERE APPLICABLE MUST REMAIN WITHIN DIMENSIONS	DIMENSION STYLE MM ONLY	SCALE ---	DESIGN UNITS METRIC	THIRD ANGLE PROJECTION		
		DRAWN BY STADOKORO	DATE 1988/09/29	TITLE EMBOSSED TAPE PACKAGE FOR 52271-**17			
		CHECKED BY SKUNISHI	DATE 2000/12/20	APPROVED BY MOLEX INCORPORATED			
		APPROVED BY MOLEX INCORPORATED	DATE 2000/02/22	MATERIAL NO. SEE CHART	DOCUMENT NO. SD-52271-043	SHEET NO. 2 OF 3	



REVISED	EC NO: J2011-0849	2011/02/03	DRW: AISHI	2011/02/03	CHK: KTAHASHI	2011/02/03	APP: KMORIKAWA	2011/02/22
M	DESCRIPTION	GENERAL TOLERANCES (UNLESS SPECIFIED)						
	10 UNDER	± ---						
	10 OVER 30 UNDER	± ---						
	30 OVER	± ---						
	ANGULAR	± --- °						
	DRAFT WHERE APPLICABLE MUST REMAIN WITHIN DIMENSIONS							
	SIZE	A3	THIS DRAWING CONTAINS INFORMATION THAT IS PROPRIETARY TO MOLEX INCORPORATED AND SHOULD NOT BE USED WITHOUT WRITTEN PERMISSION					

56	57.5	34	30.4	37.35	52271-3090	30
キャリアテープ幅 CARRIER TAPE WIDTH	D	(C)	(B)	(A)	MATERIAL NO.	極数 CKT.
DIMENSION STYLE MM ONLY		SCALE ---	DESIGN UNITS METRIC		THIRD ANGLE PROJECTION	
DRAWN BY STADOKORO	DATE 1988/09/29	TITLE EMBOSSD TAPE PAKEGE FOR 52271-**17				
CHECKED BY SKUNISHI	DATE 2000/12/20	APPROVED BY KMORIKAWA 2000/02/22				
MATERIAL NO.		MOLEX INCORPORATED			DOCUMENT NO. SD-52271-043	
SEE CHART					SHEET NO. 3 OF 3	