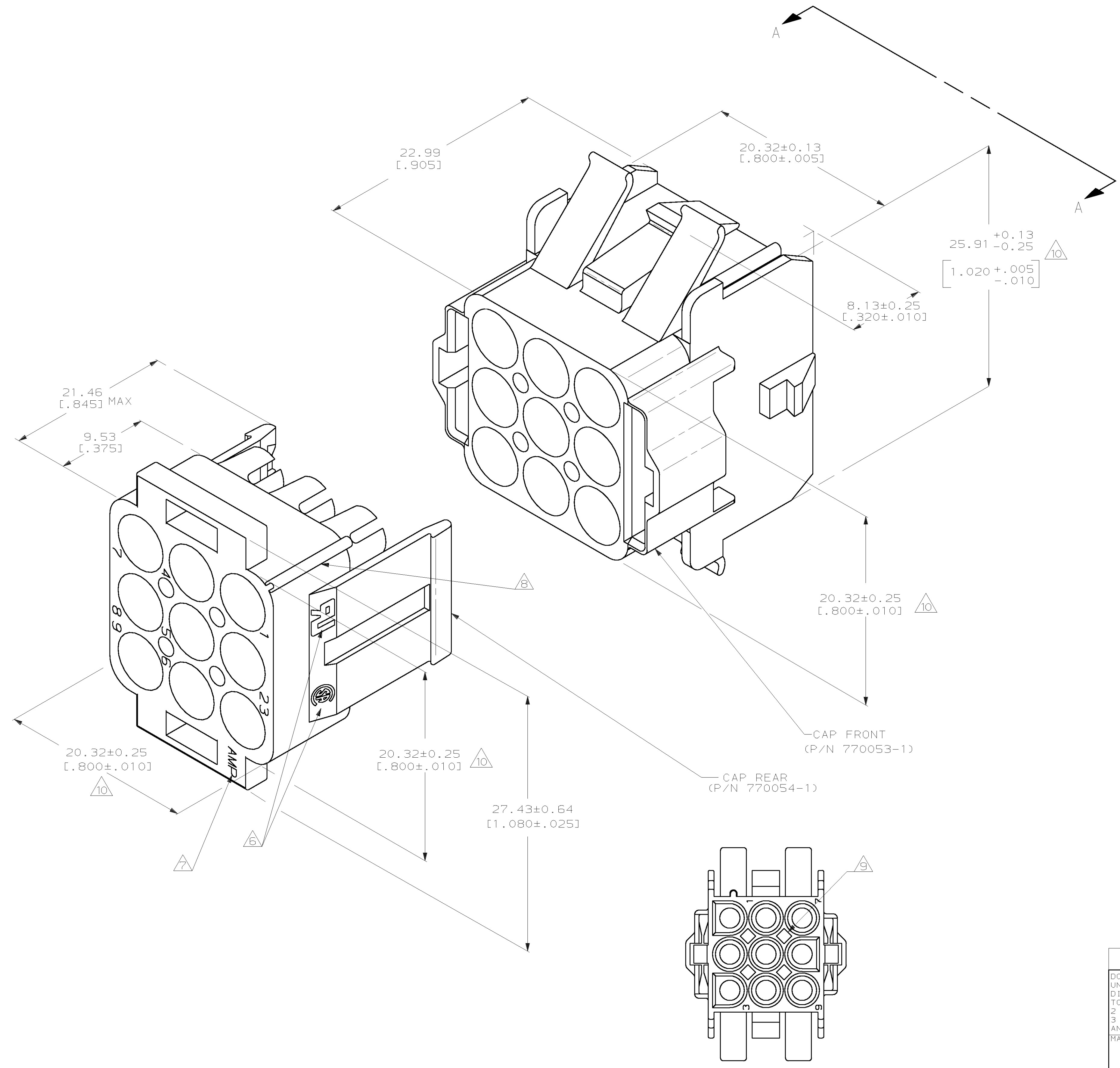
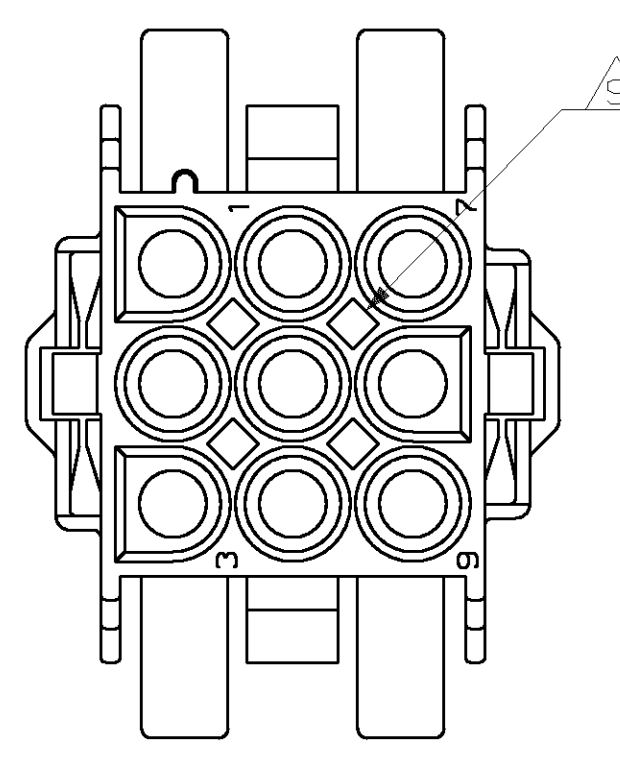
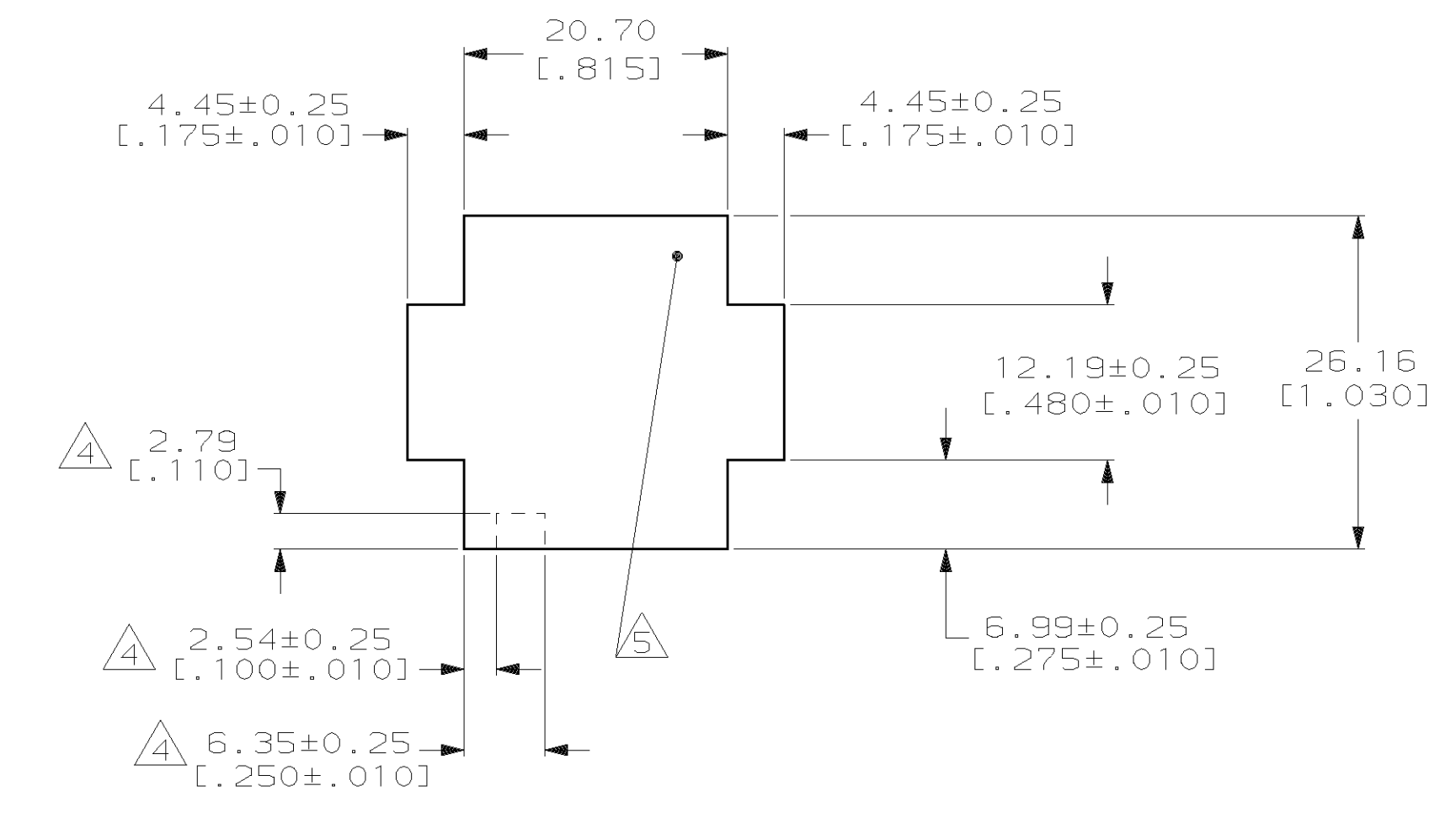


LOC		DIST		REV		REVISIONS		DATE	APPD
CM	53	P	F	ZONE	LTR	DESCRIPTION			
				J		REV PER EC 063B-0114-02		19-MAR-02	KW



- BULK PACKAGED, UNASSEMBLED.
- RECOMMENDED PANEL THICKNESS 0.76-2.29 [0.030-.090].
- PANEL MUST BE PUNCHED SO THAT THE HOUSING ENTERS THE PANEL IN THE SAME DIRECTION AS THE PUNCH.
- OPTIONAL FOR KEYING HOUSING IN PANEL.
- CIRCUIT NO. 1 LOCATON.
- APPROVAL AGENCY LOGO LOCATED APPROXIMATELY AS SHOWN.
- AMP LOGO LOCATED THIS SURFACE.
- CIRCUIT NUMBER ONE IDENTIFICATION RIB AND CIRCUIT IDENTIFICATION NUMBERS ARE EACH LOCATED ADJACENT TO THE APPROPRIATE CIRCUIT CAVITIES.
- OPTIONAL CONSTRUCTION PROVIDES ROUND MATERIAL REDUCTION CORING HOLES.
- DIMENSION INDICATED IS AS MOLDED. ADDITIONAL GROWTH DUE TO SUBSEQUENT MOISTURE ABSORPTION MAY OCCUR.



METRIC

770028-1
PART NUMBER

DO NOT SCALE PRINT. UNLESS SPECIFIED DIMENSIONS IN INCHES TOLERANCES ON:		DR 1-22-92 K. SALMON		AMP INCORPORATED Harrisburg, Pa. 17105	
1 PLC DEC ±	0.13 [0.005]	CHK 1-22-92 R. SWING		NAME	
2 PLC DEC ±		APPD 1-22-92 M. TRULL		CAP HOUSING KIT, 9 CIRCUIT, UNIVERSAL MATE-N-LOK™ II	
3 PLC DEC ±		APPD 1-22-92 M. TRULL		PRODUCT SPEC	
ANGLES		APPLICATION SPEC		SIZE	D
MATERIAL	NYLON, UL94V-0,	WEIGHT		FSCM NO	00779
FINISH				DRAWING NO	770028
				SCALE	5:1
				SHEET	1 OF 1