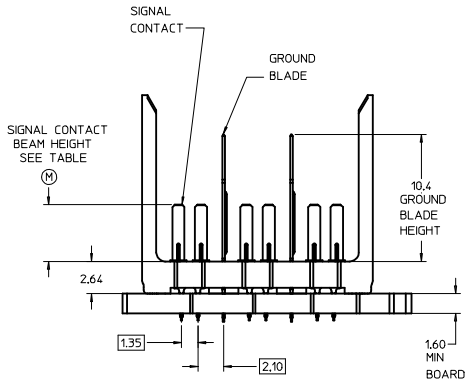
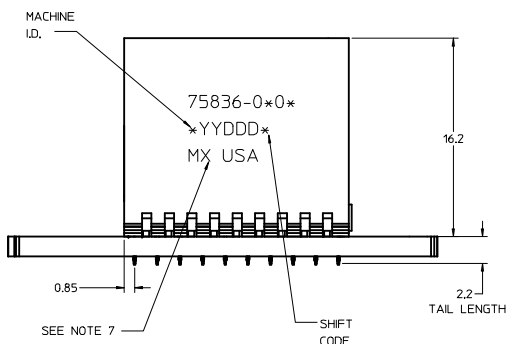
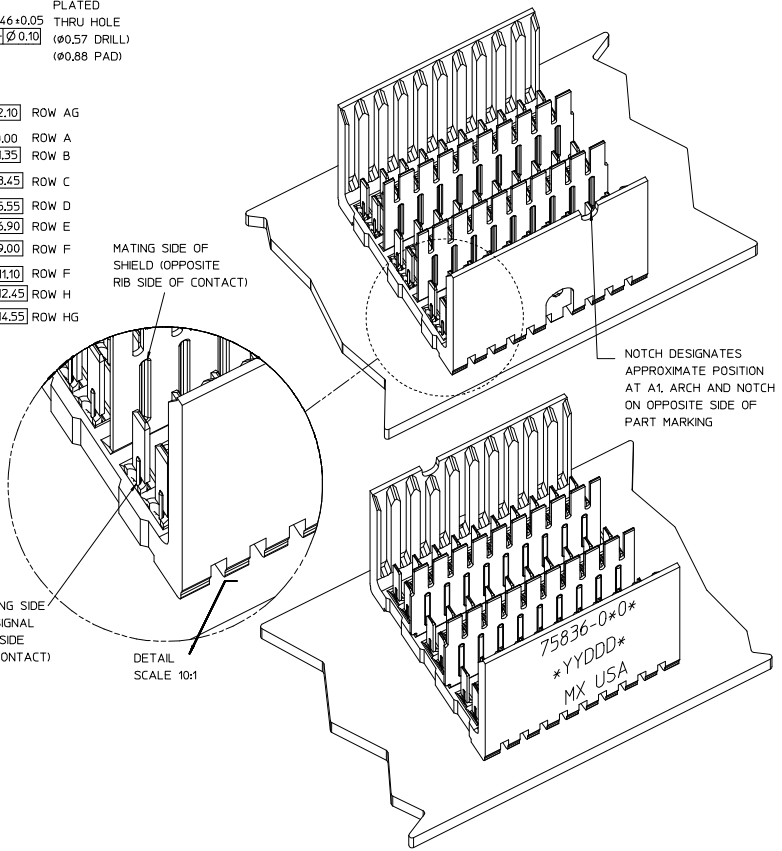


ROWS AG & HG RECOMMENDED FOR ALL APPLICATIONS. THESE ROWS SHOULD BE CONNECTED TO GROUND.

BACKPLANE HOLE PATTERN (COMPONENT SIDE 10-POSITION SHOWN)



LEAD-FREE PLATING ON SIGNALS, & GROUNDS.

- NOTES:**
1. MATERIAL: HOUSING - LIQUID CRYSTAL POLYMER (LCP) GLASS-FILLED, UL 94V-0, COLOR - GRAY. SIGNAL CONTACT AND GROUND BLADE - HIGH PERFORMANCE COPPER ALLOY.
  2. FINISHES: SELECTIVE GOLD (Au) 0.25 (MAPS), 0.76, OR 1.27 micrometers THICKNESS ON CONTACT AREA, SELECTIVE MATTE TIN (Sn) ON PCB TAILS, NICKEL (Ni) OVERALL.
  3. THIS PART CONFORMS TO MOLEX PRODUCT SPECIFICATION PS-75221-999.
  4. FOR MIXED CONTACT MATING LENGTHS CONSULT MOLEX FOR AVAILABILITY. CONTACT PAIRS MUST BE THE SAME LENGTH.
  5. FOR SPECIFIC PART NUMBER AND MATING INFORMATION PLEASE REFER TO CHART.
  6. PACKAGE PER PK-70873-576.
  7. EITHER MARK PART NUMBER AND DATE CODE APPROXIMATELY WHERE SHOWN OR PLACE A LABEL ON THE TUBE.

COLUMN  
01 = 10 COL  
02 = 25 COL  
05 = 5 COL

KEYING  
ORIENTATION  
OPEN = 0 (NONE)

PIN LENGTH DIM "M"	GOLD (Au) THICKNESS micrometers
0-3.55 mm	0.25
1-4.55 mm	
2-5.55 mm	
3-3.55 mm	
4-4.55 mm	
5-5.55 mm	1.27
7-3.55 mm	
8-4.55 mm	
9-5.55 mm	

ASSY PART NO.	K	L	P	TOTAL NO. OF DIFFERENTIAL PAIRS
75836-010*	9	16.65	18.35	30
75836-020*	24	44.40	46.10	75
75836-050*	4	7.40	9.10	15

<b>ADD MAPS PLATING</b> EC NO: UCP2012-3688 DRAWN BY: DRW:WOLF 2012/05/14 CHECKED BY: CHK:DANIELLEY 2012/05/14 APPROVED BY: APP:RSMILLER 2012/05/23	QUALITY SYMBOLS ∇=0 ∇=0 ∇=0	GENERAL TOLERANCES (UNLESS SPECIFIED) DIM INCH 4 PLACES ± --- + --- 3 PLACES ± --- + --- 2 PLACES ± 0.25 + --- 1 PLACE ± 0.38 + --- 0 PLACE ± + --- ANGULAR ± ---° DRAFT WHERE APPLICABLE MUST REMAIN WITHIN DIMENSIONS	DIMENSION STYLE MM ONLY DRAWN BY: DATE THOMAS 2006/01/13 CHECKED BY: DATE KMULVEY 2006/01/16 APPROVED BY: DATE JB INGHAM 2006/01/17	SCALE DESIGN UNITS METRIC THIRD ANGLE PROJECTION	TITLE GBX 3-PAIR OPEN END BACKPLANE ASSEMBLY LEAD-FREE SALES DRAWING <b>molex</b>	MATERIAL NO. SEE TABLE DOCUMENT NO. SD-75836-010	SHEET NO. 1 OF 1	
	THIS DRAWING CONTAINS INFORMATION THAT IS PROPRIETARY TO MOLEX INCORPORATED AND SHOULD NOT BE USED WITHOUT WRITTEN PERMISSION							