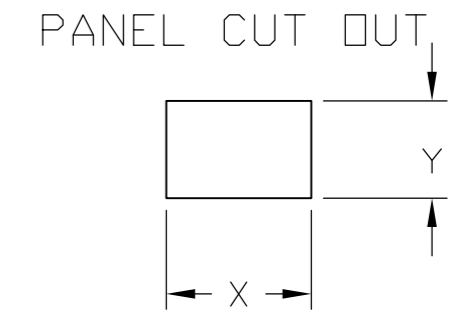
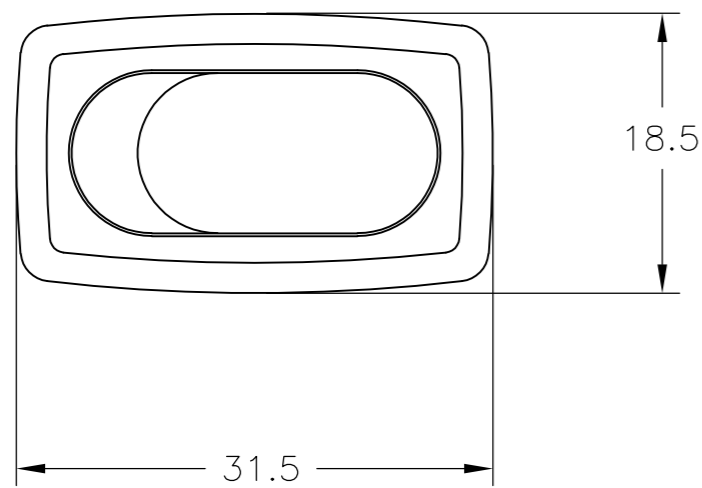
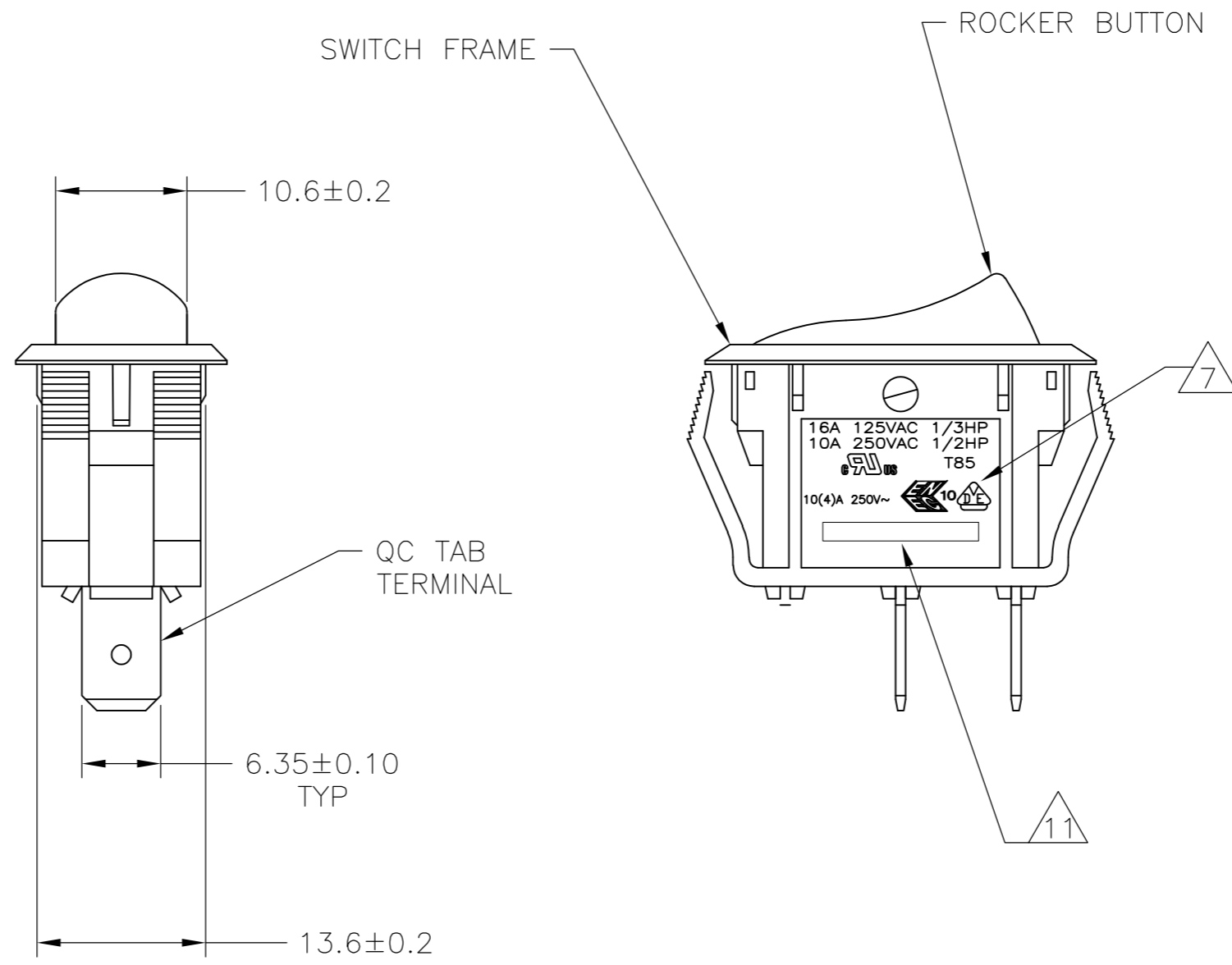
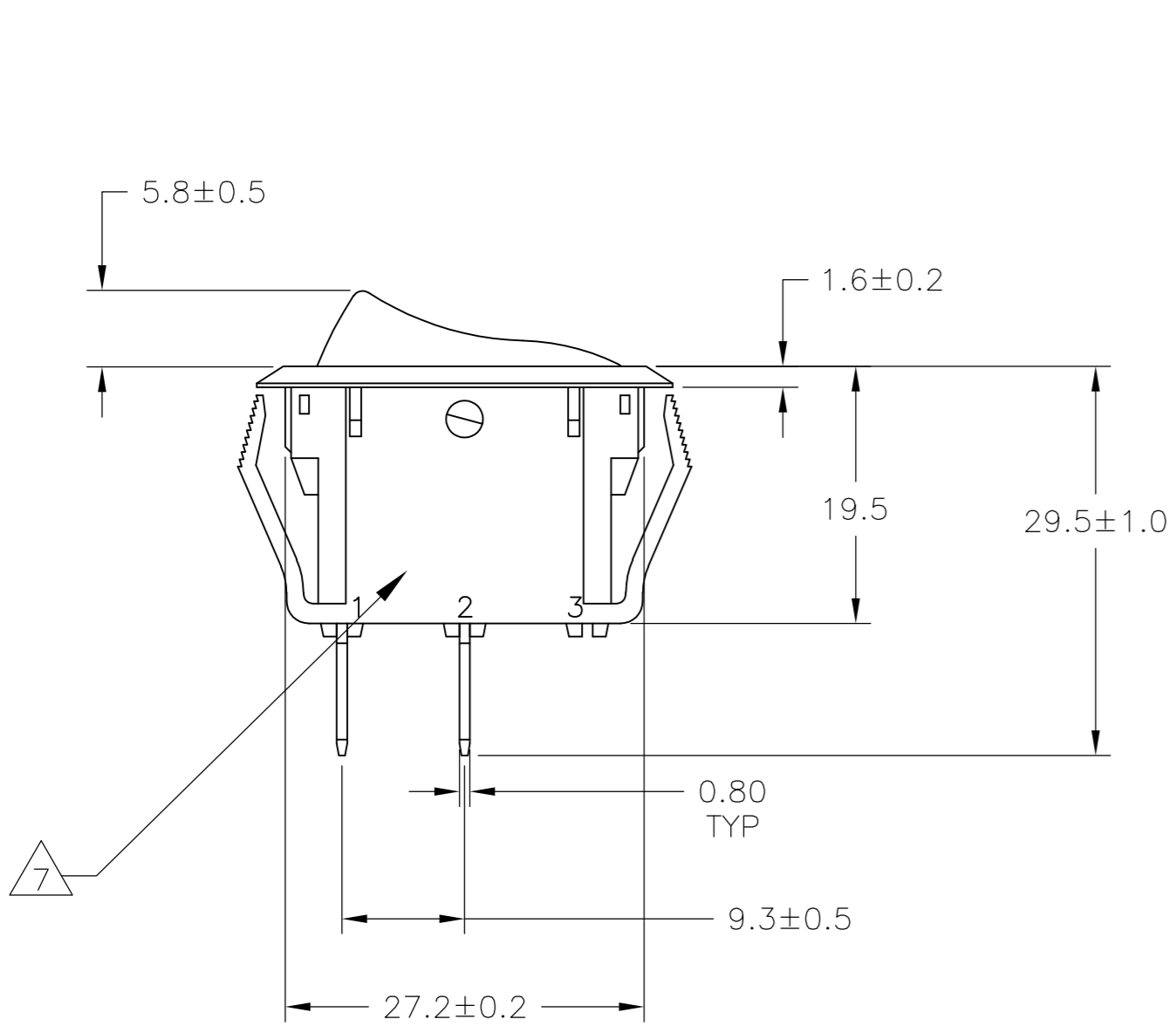


THIS DRAWING IS UNPUBLISHED. RELEASED FOR PUBLICATION
 © COPYRIGHT - By - ALL RIGHTS RESERVED.

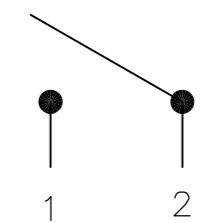
LOC	DIST	REVISIONS			
P	LTR	DESCRIPTION	DATE	DWN	APVD
AD	00	F2	REVISED PER ECO-11-004917	11MAR11	RK HMR



4.00-5.00	28.0-0.1	13.8+0.1
3.00-4.00	27.8-0.1	13.8+0.1
0.75-3.00	27.6-0.1	13.8+0.1
PANEL THICKNESS	X	Y



SWITCH FUNCTION A1
CIRCUIT DIAGRAM

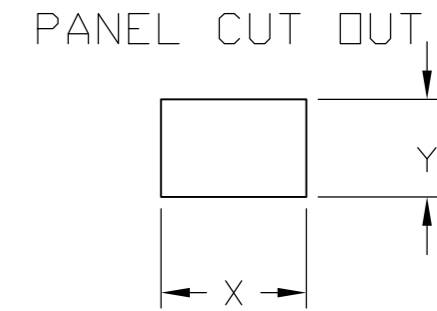
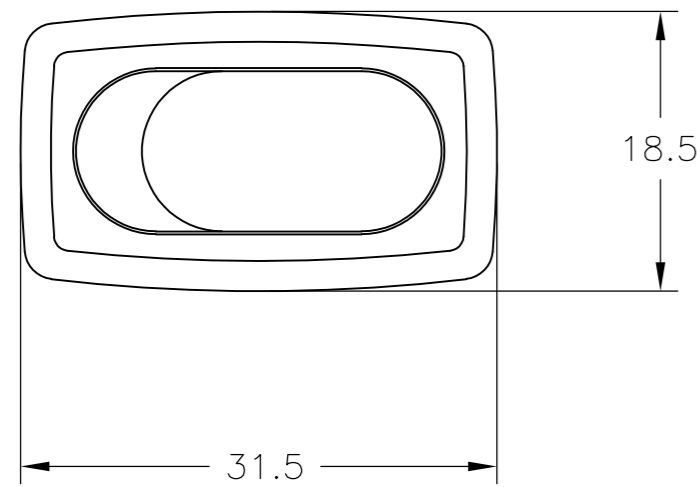


1571091-1 SHOWN

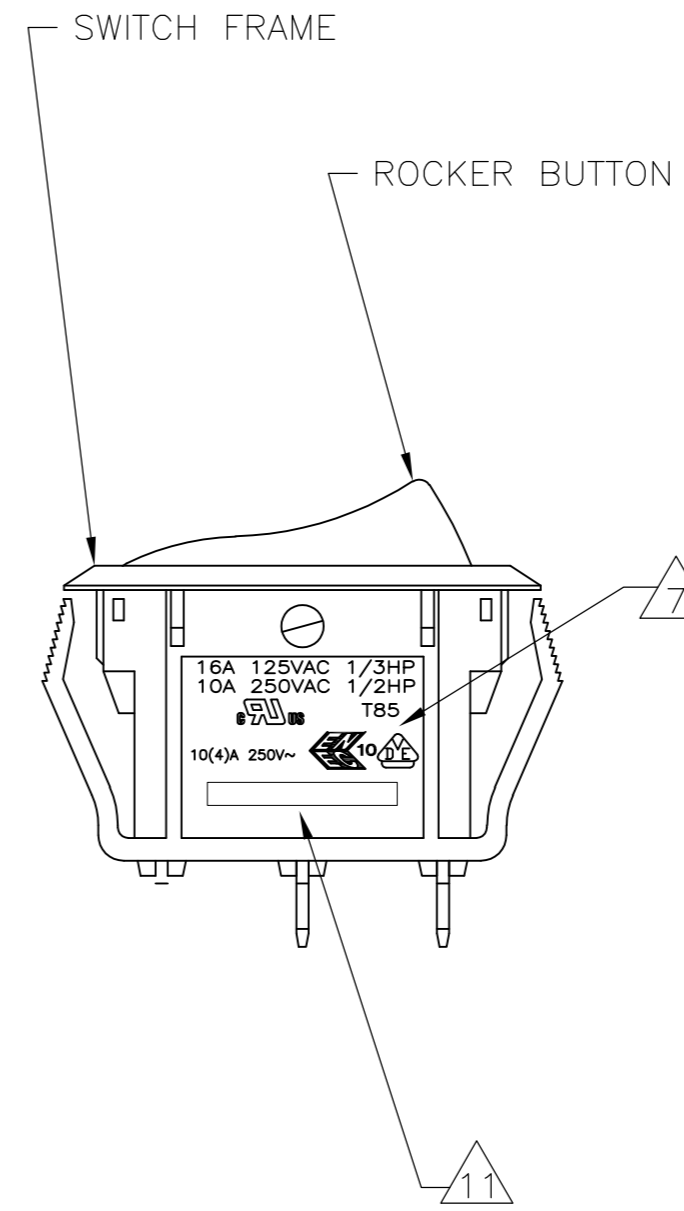
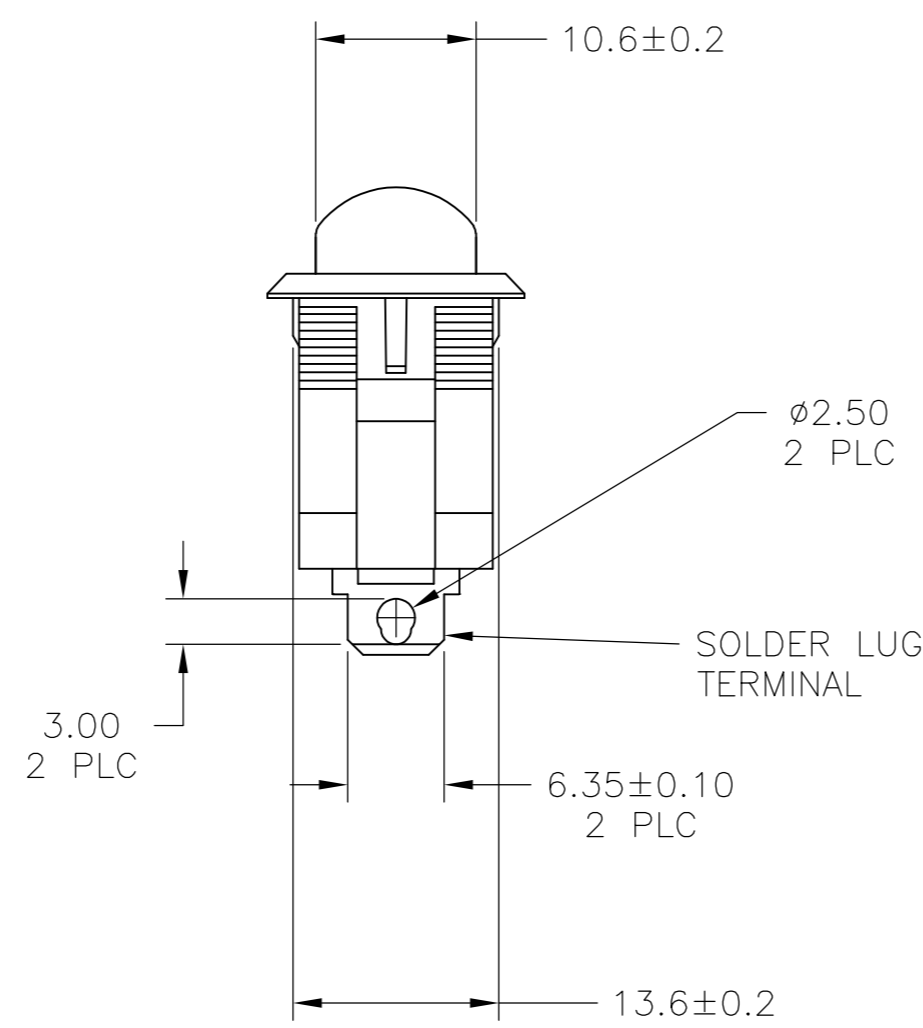
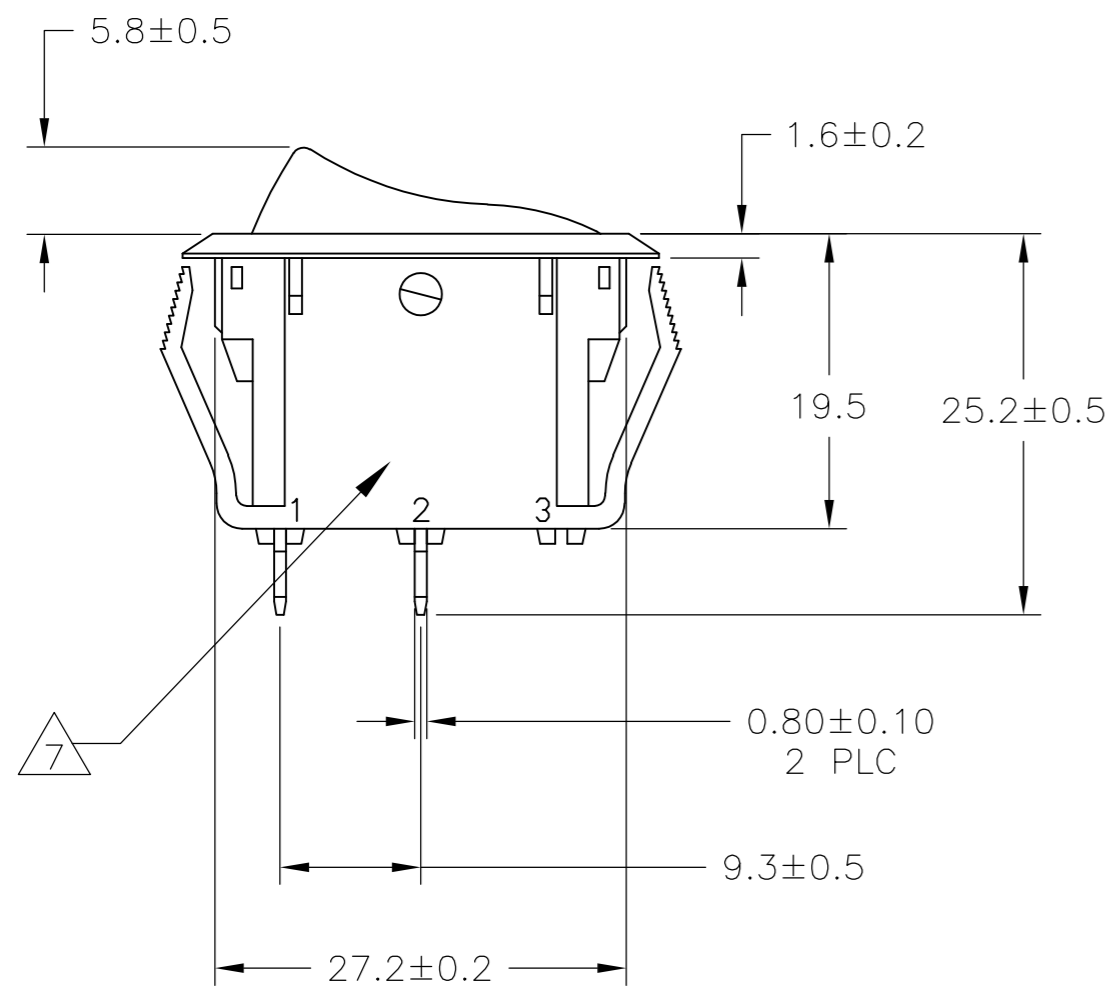
THIS DRAWING IS A CONTROLLED DOCUMENT.		DWN BSV	01APR04	TE TE Connectivity
DIMENSIONS: mm		CHK J.MOSIER	NAME	
TOLERANCES UNLESS OTHERWISE SPECIFIED:		APVD JP	PRODUCT SPEC	POWER ROCKER SWITCH, 13.8mm X 27.6mm PANEL CUT-OUT SIZE, SINGLE POLE, SINGLE THROW, TWO TERMINALS, NON-ILLUMINATED
0 PLC ± -		APPLICATION SPEC	SIZE	
1 PLC ± 0.30		WEIGHT	CAGE CODE	RESTRICTED TO
2 PLC ± 0.05		A2 00779		1571091
3 PLC ± -		SCALE 2:1		SHEET 1 of 3
4 PLC ± -		CUSTOMER DRAWING		REV F2
ANGLES ± -				
FINISH				

THIS DRAWING IS UNPUBLISHED. RELEASED FOR PUBLICATION
 © COPYRIGHT - By - ALL RIGHTS RESERVED.

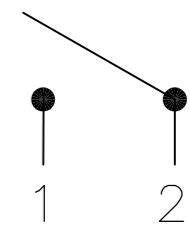
LOC		DIST		REVISIONS			
P	LTR	DESCRIPTION	DATE	DWN	APVD		
AD	00	SEE SHEET 1	-	-	-		



4.00-5.00	28.0-0.1	13.8+0.1
3.00-4.00	27.8-0.1	13.8+0.1
0.75-3.00	27.6-0.1	13.8+0.1
PANEL THICKNESS	X	Y



SWITCH FUNCTION A1
CIRCUIT DIAGRAM



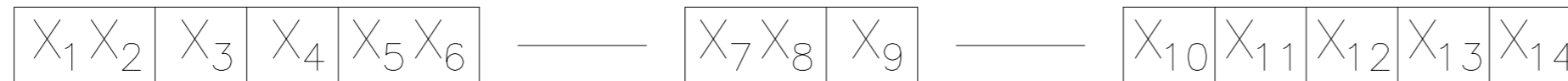
1571091-4 SHOWN

THIS DRAWING IS A CONTROLLED DOCUMENT.		DWN BSV	01APR04	TE TE Connectivity	
DIMENSIONS: mm		CHK J.MOSIER	APVD JP		
TOLERANCES UNLESS OTHERWISE SPECIFIED:		PRODUCT SPEC		NAME	
0 PLC ± -	1 PLC ± 0.30	APPLICATION SPEC		POWER ROCKER SWITCH, 13.8mm X 27.6mm	
2 PLC ± 0.05	3 PLC ± -	WEIGHT -		PANEL CUT-OUT SIZE, SINGLE POLE, SINGLE	
4 PLC ± -	ANGLES ± -	SIZE A2		THROW, TWO TERMINALS, NON-ILLUMINATED	
MATERIAL 1	FINISH 2	CAGE CODE 00779		DRAWING NO. 1571091	
CUSTOMER DRAWING		SCALE 2:1		SHEET 2 OF 3	
				REV F2	

THIS DRAWING IS UNPUBLISHED. RELEASED FOR PUBLICATION
 © COPYRIGHT - By - ALL RIGHTS RESERVED.

LOC	DIST	REVISIONS			
P	LTR	DESCRIPTION	DATE	DWN	APVD
AD	00	SEE SHEET 1	-	-	-

LEGACY PART NUMBER



SWITCH TYPE: X1 X2 = PR - POWER ROCKER

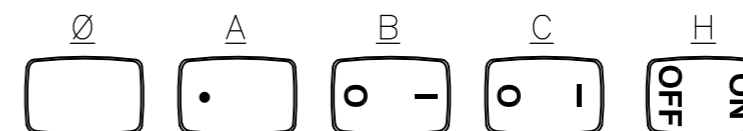
SECONDARY ROCKER COLOR: X12 = Ø - NOT APPLICABLE

NOMINAL PANEL CUT OUT SIZE: X3 = B - 13.8x27.6

NUMBER OF POLES: X4 = S - SINGLE

SWITCH FUNCTION: X5 X6 = A1 - ON-OFF, WITH OPAQUE SINGLE-COLOR ROCKER BUTTON.

LEGEND TEXT PATTERN: X13 =



CURRENT RATING: X7 X8 = 16 - △6

LEGEND TEXT COLOR: X14 = Ø - NOT APPLICABLE

TERMINAL TYPE: X9 = F - QC TAB
L - SOLDER LUG

- G - GREEN
- R - RED
- B - BLACK
- W - WHITE

FRAME COLOR: X10 = B - BLACK
W - WHITE

ROCKER COLOR: X11 = B - BLACK
G - GREEN
R - RED
W - WHITE

1 MATERIALS:
 ROCKER BUTTON & HOUSING: NYLON 66, UL 94 V-2.
 TERMINAL, ACTIVE CONTACTOR: COPPER ALLOY PER ASTM B152/B152M
 PLUNGER: COPPER ALLOY PER ASTM B036
 SPRING: STEEL WIRE PER ASTM A228/A228M
 CONTACT: SILVER-TIN OXIDE

5. ENVIRONMENTAL SPECIFICATIONS:
 AMBIENT TEMPERATURE: -20°C TO +85°C
 HUMIDITY: MAX 85%
 SALT SPRAY: NO REMARKABLE RUST IN METAL PARTS. (5% SALT / 35°C 24HRS)
 SHOCK: NO MECHANICAL DEFECT OR DAMAGE. (100g / 10MSEC/ X,Y,Z 3 TIMES)
 VIBRATION: NO MECHANICAL DEFECT OR DAMAGE. (10-55Hz / 1.5mm/ X,Y,Z 2HRS)

6 UL: 16A@125VAC 1/3HP / 10A@250VAC 1/2HP
 ENEC: 10(4)A 250V~

2 FINISH:
 ACTIVE CONTACTOR & TERMINALS: 1.0µm MIN SILVER
 PLUNGER: 3.0µm MIN NICKEL

7 ELECTRICAL RATINGS, APPROVED AGENCY LOGOS, TERMINAL IDENTIFICATION NUMBERS, MOLDED APPROXIMATELY AS SHOWN ON THE SIDES OF THE SWITCH HOUSING.

3. ELECTRICAL SPECIFICATIONS: **6**
 CURRENT & VOLTAGE
 CONTACT RESISTANCE (INITIAL): <50mΩ
 DIELECTRIC STRENGTH (INITIAL): >1000 VAC, 1 MINUTE
 INSULATION RESISTANCE (INITIAL): >100MΩ MIN (500VDC BETWEEN OPEN CONTACTS)
 INRUSH CURRENT: 50A / 3msec (CAPACITIVE LOAD)
 ELECTRICAL LIFE ENDURANCE: >6000 OPERATIONS,
 TEMPERATURE RISE AT TERMINALS: <30°C, 6000 OPERATIONS
 (AMBIENT CONDITIONS: 25±2°C AND 65±5%RH)

8. COMPONENT-RECOGNIZED TO US & CANADIAN STANDARDS
 UL FILE NO. E46765

9. COMPONENT-RECOGNIZED TO EUROPEAN STANDARDS
 (ENEC & VDE) MARKS LICENSE NO 40020315

10. ROHS 2002/95/EC COMPLIANT

11 TE CONNECTIVITY LOGO LOCATED APPROXIMATELY AS SHOWN

4. MECHANICAL SPECIFICATIONS:
 ACTUATING FORCE: 300g MIN, 700g MAX
 OPERATING LIFE ENDURANCE: >100,000 OPERATIONS
 TERMINAL STRENGTH : >2.5kg- SOLDER LUG
 >10.0kg- QC TAB

1	PRBSA1-16F-BR0HW	6-1571091-0
2	PRBSA1-16L-BR000	5-1571091-8
1	PRBSA1-16F-BR000	5-1571091-7
1	PRBSA1-16F-BW0HB	1-1571091-2
1	PRBSA1-16F-BW000	1-1571091-1
1	PRBSA1-16F-BB0HW	1571091-9
2	PRBSA1-16L-BB0CW	1571091-6
2	PRBSA1-16L-BB0BW	1571091-5
2	PRBSA1-16L-BB000	1571091-4
1	PRBSA1-16F-BB0CW	1571091-3
1	PRBSA1-16F-BB0BW	1571091-2
1	PRBSA1-16F-BB000	1571091-1
SHEET REF.	LEGACY PART NUMBER	PART NUMBER

THIS DRAWING IS A CONTROLLED DOCUMENT.		DWN BSV	01APR04	TE TE Connectivity	
DIMENSIONS: mm		CHK J.MOSIER	NAME		
TOLERANCES UNLESS OTHERWISE SPECIFIED:		APVD JP	PRODUCT SPEC	POWER ROCKER SWITCH, 13.8mm X 27.6mm PANEL CUT-OUT SIZE, SINGLE POLE, SINGLE THROW, TWO TERMINALS, NON-ILLUMINATED	
0 PLC ± -		APPLICATION SPEC	SIZE A2	CAGE CODE 00779	DRAWING NO C=1571091
1 PLC ± 0.30		WEIGHT -	SCALE 1:1	SHEET 3 of 3	REV F2
2 PLC ± 0.05		CUSTOMER DRAWING			
3 PLC ± -					
4 PLC ± -					
ANGLES ± -					
FINISH -					