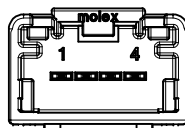
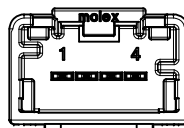


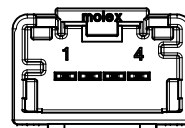
4 CIRCUIT VERTICAL HEADER  
POLARIZATION OPTION A



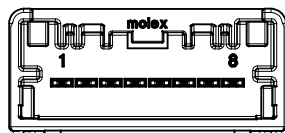
4 CIRCUIT VERTICAL HEADER  
POLARIZATION OPTION B



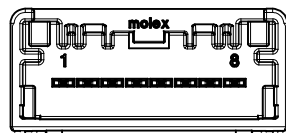
4 CIRCUIT VERTICAL HEADER  
POLARIZATION OPTION C



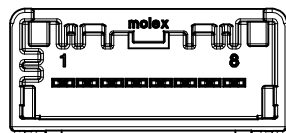
4 CIRCUIT VERTICAL HEADER  
POLARIZATION OPTION D



8 CIRCUIT USCAR VERTICAL HEADER  
POLARIZATION OPTION A



8 CIRCUIT USCAR VERTICAL HEADER  
POLARIZATION OPTION B



8 CIRCUIT USCAR VERTICAL HEADER  
POLARIZATION OPTION C

NOTES: VALID UNLESS OTHERWISE SPECIFIED

1. GENERAL:
  - a. APPLICATION SPECIFICATION SEE: AS-34791-020
  - b. PRODUCT SPECIFICATION SEE: PS-34791-020
  - c. PACKAGING SPECIFICATION PER MOLEX DRAWING: SEE CHART
  - d. SOLDERABILITY PER SMES-152
  - e. PARTS MUST BE IN COMPLIANCE TO MOLEX CHEMICAL SUBSTANCES FOR PRODUCTS AND PACKAGING SPECIFICATION: QEHS-699000-300
  - f. DATA MUST BE SUBMITTED UNDER THE MOLEX PART NUMBER TO IMDS (COMPANY ID#13255)
  - g. FLAMMABILITY REQUIREMENT: PER ISO3795 OR GM3191
  - h. VISUAL DEFECTS SHALL MEET COSMETIC STANDARD PS-45499-002 (Class B)
2. DESIGN - MATERIALS:
  - a. SHROUD (PLASTIC HOUSING): SPS 30% GF, 20% REGRIND MAX PER WEIGHT
  - b. BLADES:
    - BASE METAL: C260 BRASS
    - PLATING REQUIREMENTS:
      - TIN OVER NICKEL:
      - UNDERPLATING:
      - OVERALL NICKEL
      - OVERPLATING:
      - OVERALL TIN
3. DESIGN - GEOMETRY:
  - a. THIS IS A 100% CAD GENERATED PART. THE CAD MATHEMATICAL DATA IS THE MASTER FOR THIS PART. FOR DIMENSIONAL OR ANY INFORMATION NOT SHOWN ON THIS DRAWING, ANALYZE THE CAD MODEL.
  - b. GEOMETRIC DIMENSIONS AND TOLERANCES PER ASME Y14.5M - 2009
  - c. GENERAL TOLERANCES:
    - LINEAR: SEE TITLE BLOCK
    - ANGULAR: ±3°
  - d. EDGES AND UNDIMENSIONED DETAILS PER ISO13715
  - e. CORNERS SHOWN AS SHARP TO BE R 0.1 MAX
  - f. LETTERING SHALL BE 0.10 MAX RAISED. THIS INCLUDES RECYCLING CODE, PLANT AND CAVITY ID, VENDOR ID, AND CIRCUIT ID.

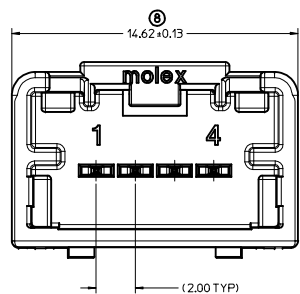
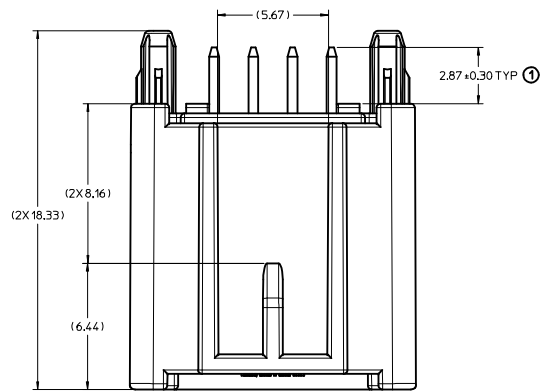
MINI50 VERTICAL HEADER ASSEMBLIES

MATERIAL NUMBER			CONFIGURATION	CIRCUIT	POL	COLOR	BLADE PLATING	MATING COMPONENT	
TAPE & REEL PACKAGING PK-47799-0001	TUBE PACKAGING PK-31301-688	TRAY PACKAGING PK-31301-440						UN-BRIDGED	BRIDGED
34792-8040	34792-9040	34792-0040	USCAR	4	A	BLACK	TIN OVER NICKEL	34791-0040	34791-0140
34792-8041	34792-9041	34792-0041	USCAR	4	B	GRAY	TIN OVER NICKEL	34791-0041	34791-0141
34792-8042	34792-9042	34792-0042	USCAR	4	C	DARK GRAY	TIN OVER NICKEL	34791-0042	34791-0142
34792-8043	34792-9043	34792-0043	USCAR	4	D	GREEN	TIN OVER NICKEL	34791-0043	34791-0143
34792-8080	34792-9080	34792-0080	USCAR	8	A	BLACK	TIN OVER NICKEL	34791-0080	34791-0180
34792-8081	34792-9081	34792-0081	USCAR	8	B	GRAY	TIN OVER NICKEL	34791-0081	34791-0181
34792-8082	34792-9082	34792-0082	USCAR	8	C	DARK GRAY	TIN OVER NICKEL	34791-0082	34791-0182
N/A	N/A	34792-2081	USCAR	8	B	GRAY	TIN OVER NICKEL	34791-0082	34791-0182

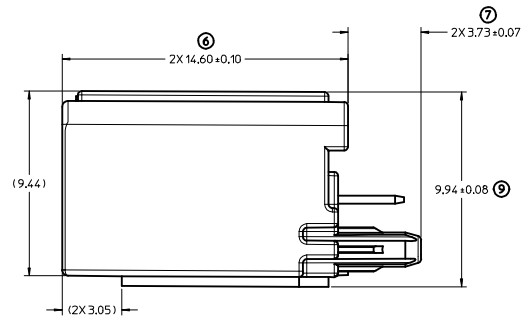
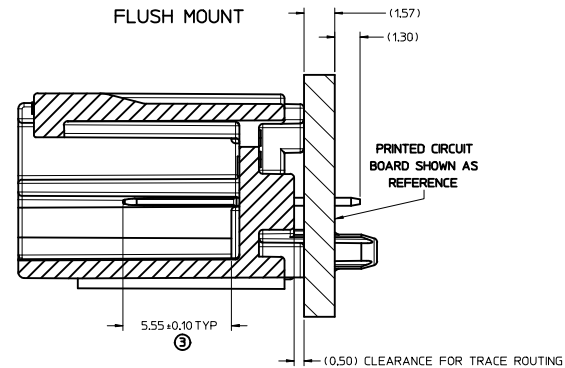
LAST BALLOON ON DRAWING:  
⑬  
DELETED BALLOONS:  
⑭

<b>DARK GRAY POL C</b> EC NO: UAU2017-1148 DRAWN: MACHUGA 2017/03/29 CHYK: APPR: BRALMAN 2017/06/20	QUALITY SYMBOLS ∇=0 ∇=0 ∇=0	GENERAL TOLERANCES (UNLESS SPECIFIED): mm      INCH		DIMENSION STYLE <b>MM ONLY</b>	SCALE <b>5:1</b>	DESIGN UNITS <b>METRIC</b>	THIRD ANGLE PROJECTION
		4 PLACES ±--- ±--- 3 PLACES ±--- ±--- 2 PLACES ±0.1 ±--- 1 PLACE ±0.2 ±---	DRAWN BY JDUNAJ	DATE 2010/06/24	TITLE <b>MINI 50 SINGLE ROW VERTICAL HEADER ASSEMBLY SALES DRAWING</b>	MOLEX INCORPORATED	SHEET NO. 1 OF 3
		DRAFT WHERE APPLICABLE MUST REMAIN WITHIN DIMENSIONS	MATERIAL NO. <b>SEE TABLE</b>	DATE 2011/11/21	DOCUMENT NO. <b>SD-34792-001</b>	MOLEX INCORPORATED	
		THIS DRAWING CONTAINS INFORMATION THAT IS PROPRIETARY TO MOLEX INCORPORATED AND SHOULD NOT BE USED WITHOUT WRITTEN PERMISSION					

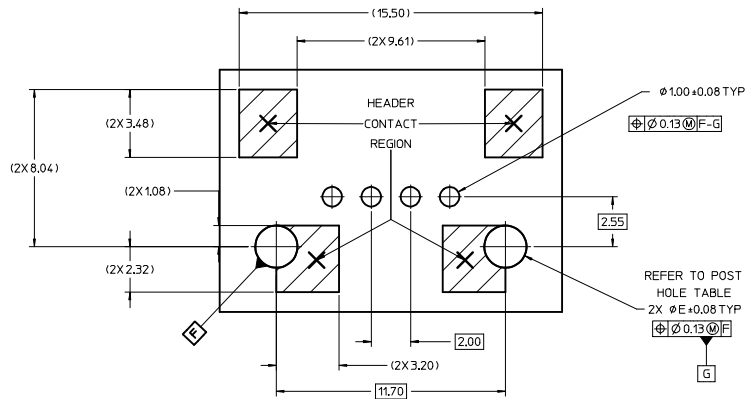
# 4 CKT VERTICAL HEADER



## HEADER TO PCB FLUSH MOUNT



## PCB LAYOUT CONNECTOR MATE SIDE

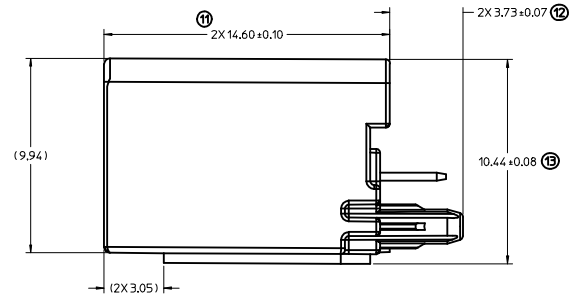
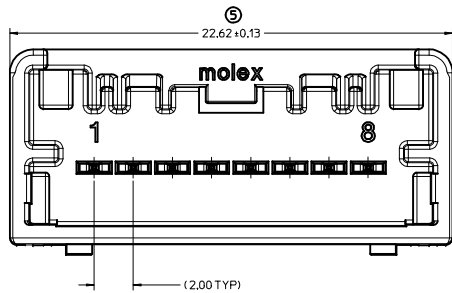
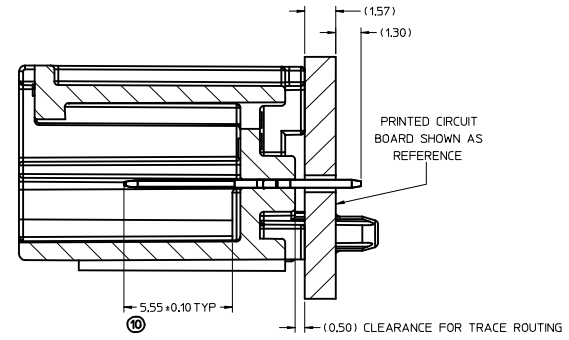
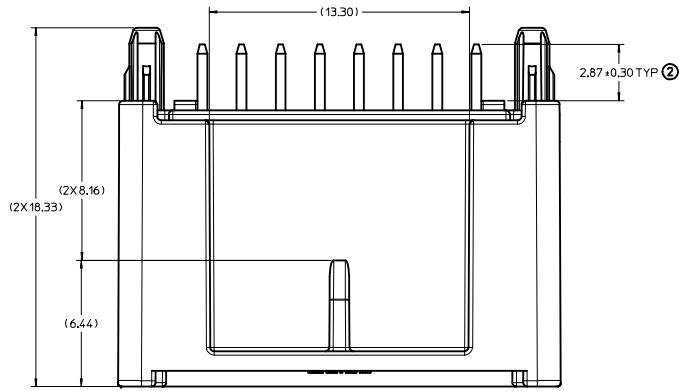


## POST HOLE TABLE

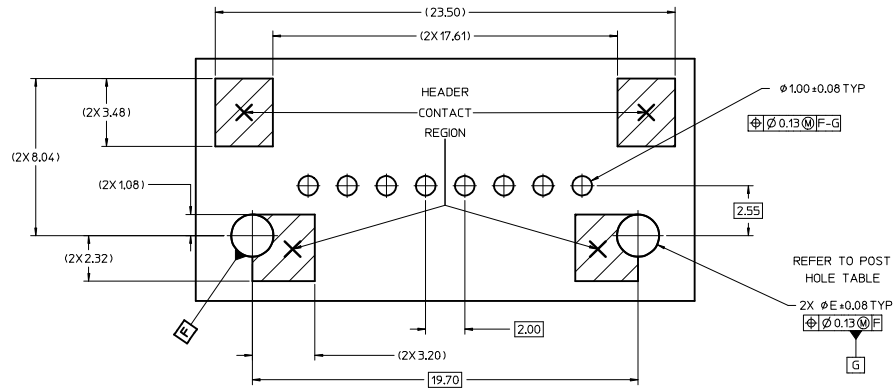
	DIM 'E'
PRESS FIT	2.15
DROP IN	2.55

<b>DARK GRAY POL C</b> EC NO: UAU2017-1148 CHKD: WACHUGA 2017/03/29 APPR: RAUMAN 2017/06/20	QUALITY SYMBOLS	GENERAL TOLERANCES (UNLESS SPECIFIED)	DIMENSION STYLE	SCALE	DESIGN UNITS	THIRD ANGLE PROJECTION	
	▽=0	mm INCH	MM ONLY	8:1	METRIC		
	▽=0	4 PLACES ± --- ± ---	DRAWN BY	DATE	TITLE		
	▽=0	3 PLACES ± --- ± ---	JDUNA J	2010/06/24	MINI 50 SINGLE ROW VERTICAL HEADER ASSEMBLY SALES DRAWING		
	2 PLACES ± 0.1 ± ---	CHECKED BY	DATE				
	1 PLACE ± 0.2 ± ---	BDICK	2010/06/24				
	ANGULAR ± --- °	APPROVED BY	DATE				
		SMARCEAU	2011/11/21				
	DRAFT WHERE APPLICABLE MUST REMAIN WITHIN DIMENSIONS	MATERIAL NO.	DOCUMENT NO.				
		SEE TABLE	SD-34792-001				
		THIS DRAWING CONTAINS INFORMATION THAT IS PROPRIETARY TO MOLEX INCORPORATED AND SHOULD NOT BE USED WITHOUT WRITTEN PERMISSION					
						SHEET NO. 2 OF 3	

# 8 CKT VERTICAL HEADER



## PCB LAYOUT CONNECTOR MATE SIDE



## POST HOLE TABLE

	DIM 'E'
PRESS FIT	2.15
DROP IN	2.55

<b>DARK GRAY POL C</b> EC NO: UAU2017-1148 CHKD: DRWIN/TMACHUGA 2017/03/29 APPR: RBAUMAN 2017/06/20	QUALITY SYMBOLS	GENERAL TOLERANCES (UNLESS SPECIFIED)	DIMENSION STYLE	SCALE	DESIGN UNITS	THIRD ANGLE PROJECTION	
	▽=0	mm INCH	MM ONLY	8:1	METRIC		
	▽=0	4 PLACES ± --- ± ---	DRAWN BY	DATE	TITLE		
	▽=0	3 PLACES ± --- ± ---	JDUNA J	2010/06/24	MINI 50 SINGLE ROW VERTICAL HEADER ASSEMBLY SALES DRAWING		
	2 PLACES ± 0.1 ± ---	CHECKED BY	DATE				
	1 PLACE ± 0.2 ± ---	BDICK	2010/06/24				
	0 PLACE ± ±	APPROVED BY	DATE				
	ANGULAR ± --- °	SMARCEAU	2011/11/21				
	DRAFT WHERE APPLICABLE MUST REMAIN WITHIN DIMENSIONS	MATERIAL NO.	DOCUMENT NO.				
		SEE CHART	SD-34792-001				
		THIS DRAWING CONTAINS INFORMATION THAT IS PROPRIETARY TO MOLEX INCORPORATED AND SHOULD NOT BE USED WITHOUT WRITTEN PERMISSION					
						SHEET NO. 3 OF 3	