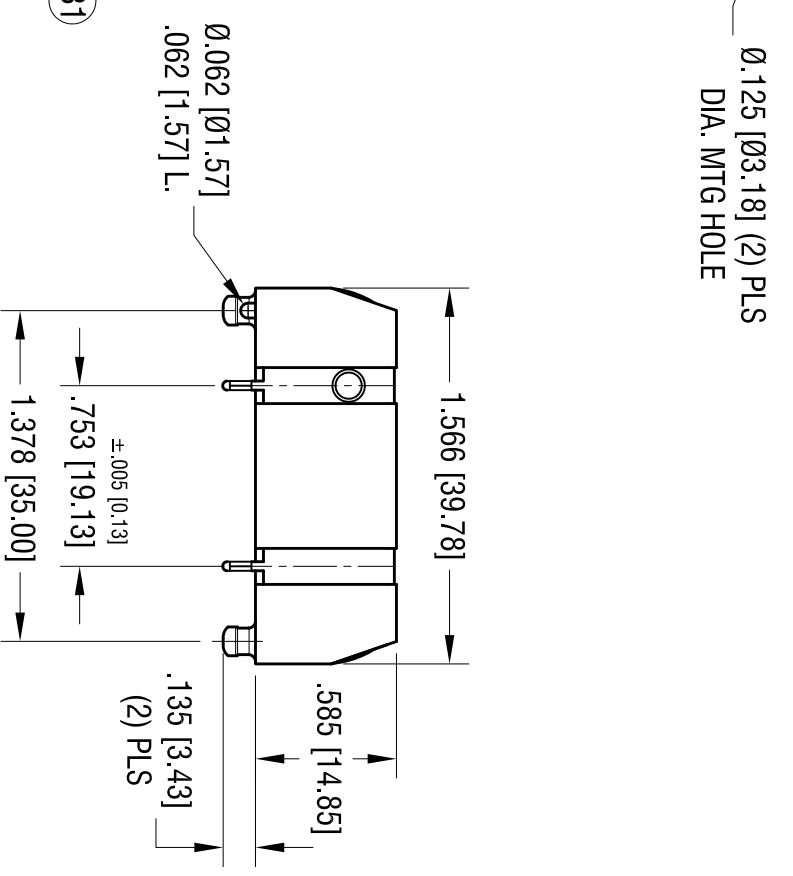
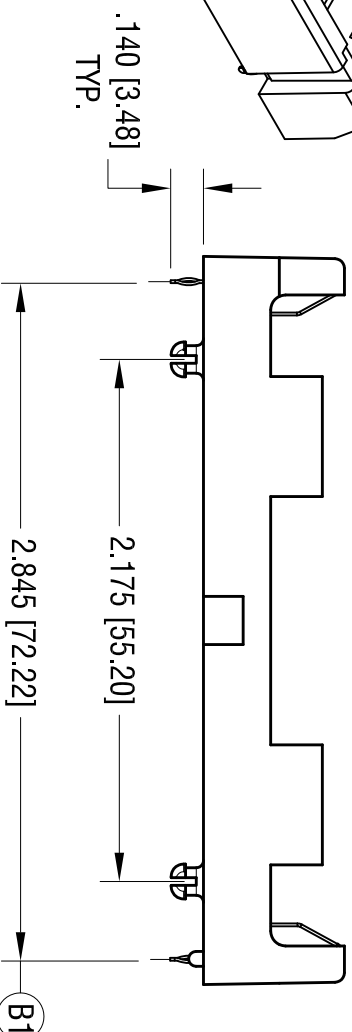
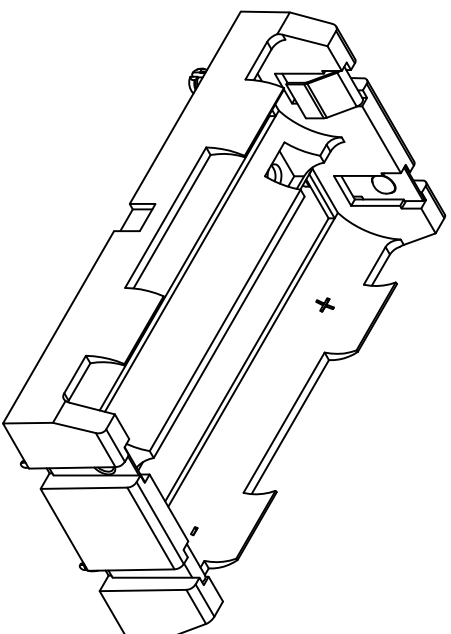
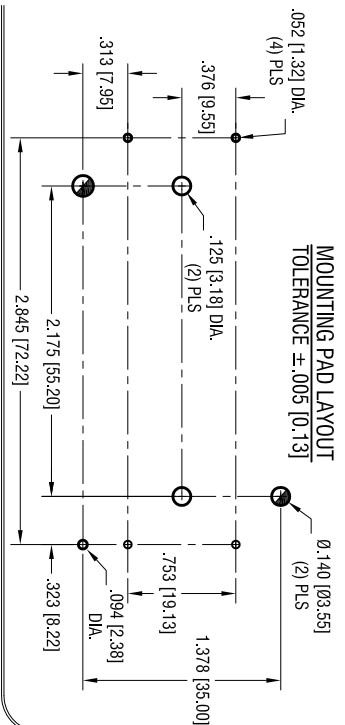


DATE	DESCRIPTION	REV.
10.08.13	CHANGE AS PER ECN 13-091	A
1.03.17	CHANGE AS PER ECN 17-003 B1 WAS 2.822 [71.64]	B



NOTE:

1. BASE:
MAT'L: HEAT RESISTANCE NYLON
STANYL 46 OR EQUIVALENT
2. CONTACT:
MAT'L: .012 [0.30]THK STAINLESS STEEL
FINISH: TIN NICKEL PLATE

THIS DOCUMENT IS THE PROPERTY OF KEYSTONE ELECTRONICS CORP. AND SHALL NOT BE REPRODUCED, DISTRIBUTED OR USED AS A BASIS FOR MANUFACTURE WITHOUT PRIOR WRITTEN PERMISSION FROM KEYSTONE ELECTRONICS CORP.

KEYSTONE ELECTRONICS CORP.			
www.keystec.com • ASTORIA, N.Y. 11105-2017 • Tel (718) 956-8900			
PART NAME DUAL THM POLARIZED HOLDER			
MATERIAL AS NOTED			
FINISH AS NOTED		DRN BY NT	DATE 7.15.13
TOLERANCES	INCH [MM]	CODE	DWG NO.
DECIMAL	$\pm .010$ [± 0.25]	C	
ANGULAR	$\pm 1^\circ$		
		App'D LN	SCALE 1.25X
		1049P	