

**CHEMINAX**

50 OHM, AWG 18, 19 STRANDS OF AWG 30, COAXIAL CABLE

Date: 4-18-00  
Revision: F

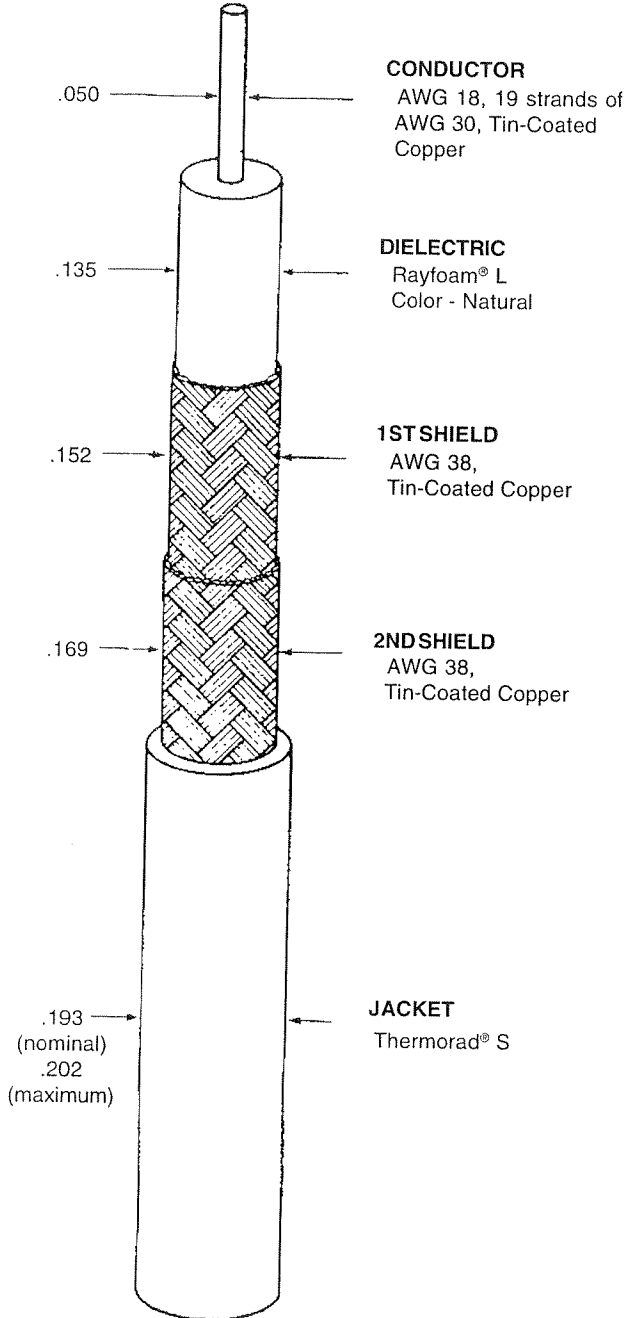
THIS SPECIFICATION SHEET FORMS A PART OF THE LATEST ISSUE OF RAYCHEM SPECIFICATION 1200.

**CONSTRUCTION DETAILS**

**ELECTRICAL CHARACTERISTICS**

DIMENSIONS ARE NOMINAL VALUES IN INCHES UNLESS OTHERWISE DESIGNATED.

CHARACTERISTIC IMPEDANCE	50 ± 2 ohms, Method A
CAPACITANCE	26.4 pF/ft. (nominal)
VELOCITY OF PROPAGATION	77% (nominal)
ATTENUATION	8.3 dB/100 ft. (nominal) at 400 MHz 14.0dB/100 ft. (nominal) at 960 MHz



**ADDITIONAL REQUIREMENTS**

**ELECTRICAL**

CONDUCTOR RESISTANCE	6.07 ohms/1000 ft. (nominal)
INSULATION RESISTANCE	10,000 megohms (minimum) for 1000 ft.
JACKET FLAWS	
SPARK TEST	1.0 kV (rms)
IMPULSE TEST	6.0 kV, (peak)
VOLTAGE WITHSTAND (DIELECTRIC)	2000 volts (rms), (minimum)

**ENVIRONMENTAL**

AGING STABILITY	135° C/-55° C/5.50 inch mandrel
FLAMMABILITY	Method C
HEAT SHOCK	225°C
LOW TEMPERATURE- COLD BEND	-55°C/5.50 inch mandrel
VOLTAGE WITHSTAND (POST ENVIRONMENTALS)	1000 volts (rms), 1 minute

**PHYSICAL**

INSULATION (DIELECTRIC) ELONGATION	50% (minimum)
TENSILE STRENGTH JACKET	1000 lbf/in <sup>2</sup> (minimum)
ELONGATION	250% (minimum)
TENSILE STRENGTH	2000 lbf/in <sup>2</sup> (minimum)
JACKET THICKNESS	.012 inch (nominal)
SHIELD COVERAGE (each)	90% (minimum)

WEIGHT 32.1 lbs/1000 ft. (maximum)

Outer jacket color will be black (designated by a "-0" appended to the part number, e.g 5018D3311-0) unless otherwise specified.

Designate outer jacket color with a dash number in accordance with MIL-STD-681

**Raychem**

300 Constitution Drive  
Menlo Park, California 94025  
1 800-2 RAYCHEM FAX: 650-361-6297

THIS SPECIFICATION SHEET TAKES PRECEDENCE OVER DOCUMENTS REFERENCED HEREIN. REFERENCE DOCUMENTS SHALL BE OF THE ISSUE IN EFFECT ON DATE OF INVITATION FOR BID.