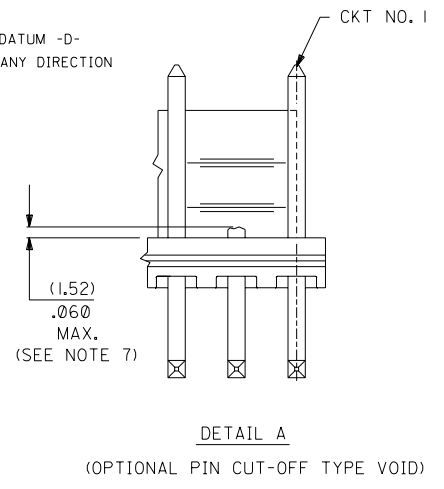


NOTES:

- PRECEDING ENG. NO. IN CHART DESIGNATES STANDARD PRODUCT.
- SOLDERABILITY: WHEN PARTS ARE SOLDERED AT A TEMPERATURE OF 230°C (446°F) FOR 5 SECONDS, EACH SOLDERED SURFACE SHALL BE A MINIMUM OF 95% COVERED WITH A SMOOTH CONTINUOUS ADHERENT COATING. FOR OTHER INFORMATION SEE ES-152.
- PIN PUSH OUT FORCE: PRIOR TO SOLDERING, A 3 POUND MINIMUM FORCE (IN EITHER DIRECTION) SHALL BE REQUIRED TO PUSH THE PIN OUT OF THE HEADER.
- FOR ADDITIONAL INFORMATION AND TESTING PROCEDURES SEE PS-08-50.
- PARTS ARE STACKABLE END TO END ON (3.96)/.156 CENTERS.
- FOR PART WITH PEGS SEE DWG NO. SDA-42492
- BURRS DUE TO CUTTING OFF OF PINS MUST NOT VARY FROM CENTERLINE OF PIN AT DATUM -D- BY MORE THAN .008 IN ANY DIRECTION.



NO. OF CKT'S.	DIM. A	DIM. B
2	(3.96±.05) .156±.002	(7.77) .306
3	(7.92±.08) .312±.003	(11.73) .462
4	(11.89±.08) .468±.003	(15.70) .618
5	(15.85±.10) .624±.004	(19.66) .774
6	(19.81±.10) .780±.004	(23.62) .930
7	(23.77±.10) .936±.004	(27.58) 1.086
8	(27.74±.13) 1.092±.005	(31.55) 1.242
9	(31.70±.13) 1.248±.005	(35.51) 1.398
10	(35.66±.13) 1.404±.005	(39.47) 1.554
11	(39.62±.15) 1.560±.006	(43.43) 1.710
12	(43.59±.15) 1.716±.006	(47.40) 1.866
13	(47.55±.15) 1.872±.006	(51.36) 2.022
14	(51.51±.18) 2.028±.007	(55.32) 2.178
15	(55.47±.18) 2.184±.007	(59.28) 2.334
16	(59.44±.18) 2.340±.007	(63.25) 2.490
17	(63.40±.20) 2.496±.008	(67.21) 2.646
18	(67.36±.20) 2.652±.008	(71.17) 2.802

MATERIAL: HEADER: GLASS FILLED POLYESTER, 94V-0, MOLDED NATURAL (WHITE).
PIN: BRASS

PLATINGS:

(102) ELECTRO TIN .000450/.000200 OVER .000200/.000100 COPPER
(567) SELECT GOLD 15 M.I. MIN, SELECT TIN/LEAD 100 M.I. MIN., OVER NICKEL
(569) SELECT GOLD 30 M.I. MIN, SELECT TIN/LEAD 100 M.I. MIN., OVER NICKEL
FOR ADDITIONAL INFORMATION SE SDES-88.

REL SHT 5 UCP2003-0755 11/6/2002 SAMIEC		DIMENSIONS SHOWN (METRIC) INCH UNLESS OTHERWISE SPECIFIED TOLERANCES: ANGULAR ± 1/2°		▽ = 0 ▼ = 0 REVISE ONLY ON CAD SYSTEM	
REL SHT 4 UCR2002-0555 12/17/01 SAMIEC		INCH METRIC		TITLE FRICTION LOCK HEADER ASS'Y .156 Q BENT SQ PINS, W/O PEGS 41792 SERIES DWG.	
ADD PACK SPEC UCR2002-0087 7/26/01 SAMIEC		DRAFT WHERE APPLICABLE MUST REMAIN WITHIN DIMENSIONS		MOLEX INCORPORATED SHEET NO. DATE LITL, ILL. 60532 U.S.A. 1 OF 6 09/09/87	
DRWG. BY SAMIEC CHK'D BY PATEL		PART NO. DRWG. NO.		SEE CHART SDA-41792	
APPROV'D BY LENZ SCALE :		FILE NAME S41792X1		THIS DRAWING CONTAINS INFORMATION THAT IS PROPRIETARY TO MOLEX INC. AND SHOULD NOT BE USED WITHOUT WRITTEN PERMISSION.	
LTR.	REVISIONS	LTR.	REVISIONS	APP'D BY KK	REV. C

6	E
5	E2
4	E1
3	E
2	E
1	E2

41792

C

B

A

	13	12	11	10	9	8	7	6	42472		4	3	2	1
	ENG. NO.	HEADER NO.	PIN NO.	PLATING	DIM. L	DIM. X	DIM. G GOLD	DIM. Y	DIM. Z	DIM. T TIN	DIM. W	NO OF CKTS	VOID CKTS	PACKAGING
J	A-41792-0198/0213	41790-0002/0018	2161-37(102)	102	(27.94) 1.100	(11.43) .450	() N/A	(5.41) .213	(3.96) .156	() OVERALL	90°	3-18	2	BULK PER PK-41792-002
	A-41792-0214/0227	41790-0002/0018	2161-37(102)	102	(27.94) 1.100	(11.43) .450	() N/A	(5.41) .213	(3.96) .156	() OVERALL	90°	5-18	5	BULK PER PK-41792-002
	A-41792-0242/0257	41790-0002/0018	2161-37(102)	102	(27.94) 1.100	(11.43) .450	() N/A	(5.41) .213	(3.96) .156	() OVERALL	90°	3-18	3	BULK PER PK-41792-002
I	A-41792-0258/0274	41790-0002/0018	2161-64(122)	122	(29.85) 1.175	(13.28) .523	() N/A	(5.41) .213	(4.01) .158	() OVERALL	90°	2-18		BULK PER PK-41792-002
	A-41792-0275/0289	41790-0002/0018	2161-37(102)	102	(27.94) 1.100	(11.43) .450	() N/A	(5.41) .213	(3.96) .156	() OVERALL	90°	4-18	2,4	BULK PER PK-41792-002
	A-41792-0341/0352	41790-0002/0018	2161-37(102)	102	(27.94) 1.100	(11.43) .450	() N/A	(5.41) .213	(3.96) .156	() OVERALL	90°	7-18	7	BULK PER PK-41792-002

H	A-41792-0198/0213																A-41792-0214/0227																A-41792-0242/0257																A-41792-0258/0274																A-41792-0275/0289																A-41792-0341/0352															
	EDP NO.		ENG. NO.		NO OF CKTS	EDP NO.		ENG. NO.		NO OF CKTS	EDP NO.		ENG. NO.		NO OF CKTS	EDP NO.		ENG. NO.		NO OF CKTS	EDP NO.		ENG. NO.		NO OF CKTS	EDP NO.		ENG. NO.		NO OF CKTS	EDP NO.		ENG. NO.		NO OF CKTS																																																													
	26-62-5031		A-41792-0198		3	26-62-5041		A-41792-0199		4	26-62-5051		A-41792-0200		5	26-62-5061		A-41792-0201		6	26-62-5071		A-41792-0202		7	26-62-5081		A-41792-0203		8	26-62-5091		A-41792-0204		9	26-62-5101		A-41792-0205		10	26-62-5111		A-41792-0206		11	26-62-5121		A-41792-0207		12	26-62-5131		A-41792-0208		13	26-62-5141		A-41792-0209		14	26-62-5151		A-41792-0210		15	26-62-5161		A-41792-0211		16	26-62-5171		A-41792-0212		17	26-62-5181		A-41792-0213		18																

D	26-62-5031		A-41792-0198		3	26-62-5041		A-41792-0199		4	26-62-5051		A-41792-0200		5	26-62-5061		A-41792-0201		6	26-62-5071		A-41792-0202		7	26-62-5081		A-41792-0203		8	26-62-5091		A-41792-0204		9	26-62-5101		A-41792-0205		10	26-62-5111		A-41792-0206		11	26-62-5121		A-41792-0207		12	26-62-5131		A-41792-0208		13	26-62-5141		A-41792-0209		14	26-62-5151		A-41792-0210		15	26-62-5161		A-41792-0211		16	26-62-5171		A-41792-0212		17	26-62-5181		A-41792-0213		18
	26-62-5035		A-41792-0242		3	26-62-5045		A-41792-0243		4	26-62-5055		A-41792-0244		5	26-62-5065		A-41792-0245		6	26-62-5075		A-41792-0246		7	26-62-5085		A-41792-0247		8	26-62-5095		A-41792-0248		9	26-62-5105		A-41792-0249		10	26-62-5115		A-41792-0250		11	26-62-5125		A-41792-0251		12	26-62-5135		A-41792-0252		13	26-62-5145		A-41792-0253		14	26-62-5155		A-41792-0254		15	26-62-5165		A-41792-0255		16	26-62-5175		A-41792-0256		17	26-62-5185		A-41792-0257		18
	26-62-5033		A-41792-0258		3	26-62-5043		A-41792-0260		4	26-62-5053		A-41792-0261		5	26-62-5063		A-41792-0262		6	26-62-5073		A-41792-0263		7	26-62-5083		A-41792-0264		8	26-62-5093		A-41792-0265		9	26-62-5103		A-41792-0266		10	26-62-5113		A-41792-0267		11	26-62-5123		A-41792-0268		12	26-62-5133		A-41792-0269		13	26-62-5143		A-41792-0270		14	26-62-5153		A-41792-0271		15	26-62-5163		A-41792-0272		16	26-62-5173		A-41792-0273		17	26-62-5183		A-41792-0274		18
	26-62-5047		A-41792-0275		4	26-62-5057		A-41792-0276		5	26-62-5067		A-41792-0277		6	26-62-5077		A-41792-0278		7	26-62-5087		A-41792-0279		8	26-62-5097		A-41792-0280		9	26-62-5107		A-41792-0281		10	26-62-5117		A-41792-0282		11	26-62-5127		A-41792-0283		12	26-62-5137		A-41792-0284		13	26-62-5147		A-41792-0285		14	26-62-5157		A-41792-0286		15	26-62-5167		A-41792-0287		16	26-62-5177		A-41792-0288		17	26-62-5187		A-41792-0289		18					
	41792-0341		A-41792-0341		7	41792-0342		A-41792-0342		8	41792-0343		A-41792-0343		9	41792-0344		A-41792-0344		10	41792-0345		A-41792-0345		11	41792-0346		A-41792-0346		12	41792-0347		A-41792-0347		13	41792-0348		A-41792-0348		14	41792-0349		A-41792-0349		15	41792-0350		A-41792-0350		16	41792-0351		A-41792-0351		17	41792-0352		A-41792-0352		18																				

SEE SHEET I		B14	SEE SHEET I		DIMENSIONS SHOWN (METRIC) INCH		▽ = 0 ▼ = 0		REVISE ONLY ON CAD SYSTEM		
E1	SEE SHEET I	B10	SEE SHEET I		UNLESS OTHERWISE SPECIFIED TOLERANCES ANGULAR ± 1/2°		TITLE		FRICITION LOCK HEADER ASSY		
E	SEE SHEET I	B9	SEE SHEET I		INCH METRIC		PART NO.		.156 @ BENT SQ PINS, W/O PEG		
C	SEE SHEET I	B8	SEE SHEET I		3 PLACE ± ± ±		MOLEX INCORPORATED		41792 SERIES DWG		
B18	SEE SHEET I	B6	SEE SHEET I		2 PLACE ± ± ±		SHEET NO.		4		
B17	SEE SHEET I	B5	SEE SHEET I		1 PLACE ± ± ±		DATE		06/25/88		
B15	SEE SHEET I	B4	SEE SHEET I		DRAFT WHERE APPLICABLE MUST REMAIN WITHIN DIMENSIONS		MOLEX INCORPORATED		U.S.A.		
LTR.	REVISIONS	LTR.	REVISIONS	LTR.	REVISIONS	DRAWG. NO.		SEE CHART		SDA-41792	
APPR'D. BY LENZ		CHK'D. BY PATEL		SCALE		FILE NAME		THIS DRAWING CONTAINS INFORMATION THAT IS PROPRIETARY TO MOLEX INC. AND SHOULD NOT BE USED WITHOUT WRITTEN PERMISSION.		DIV. C	

13	12	11	10	9	8	7	6	5	4	3	2	1
----	----	----	----	---	---	---	---	---	---	---	---	---