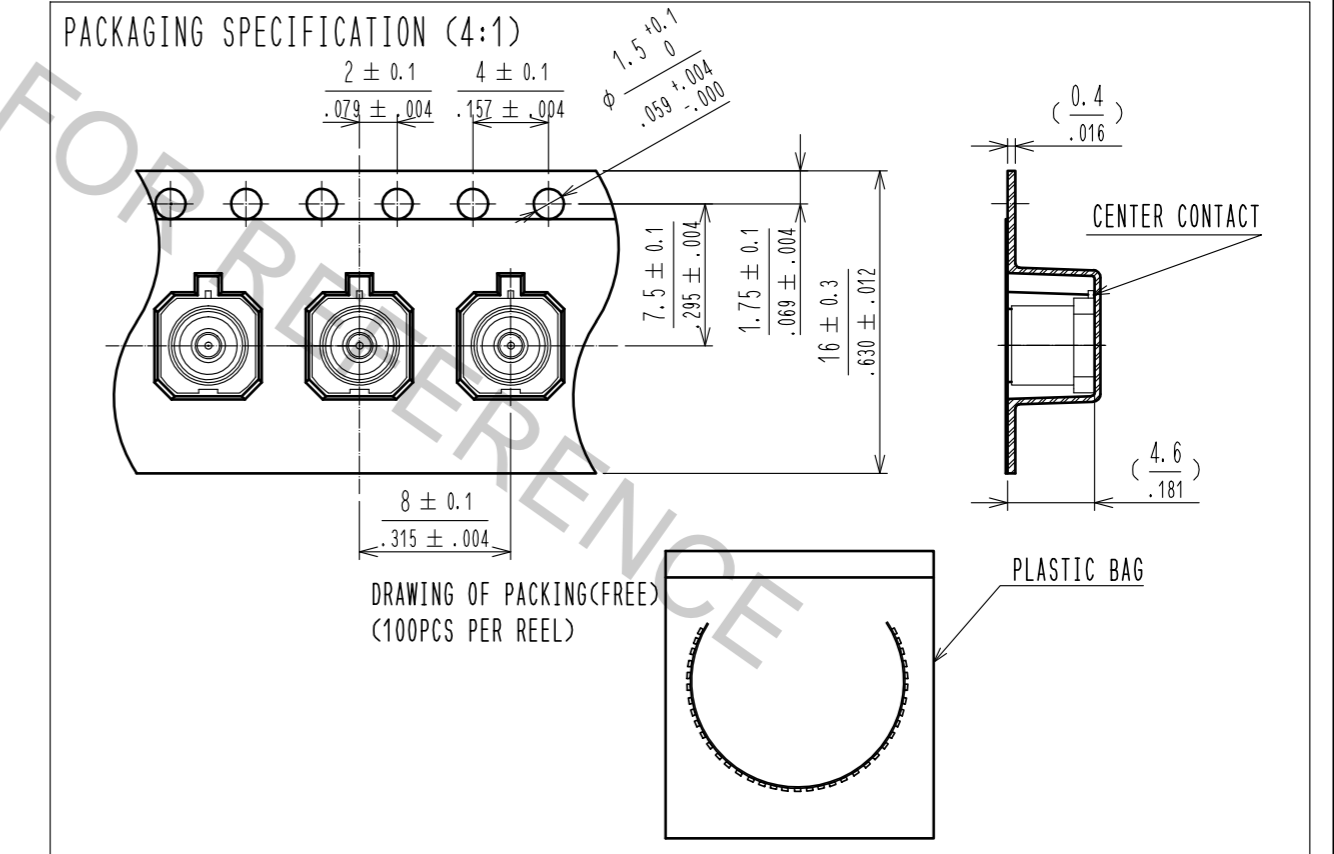
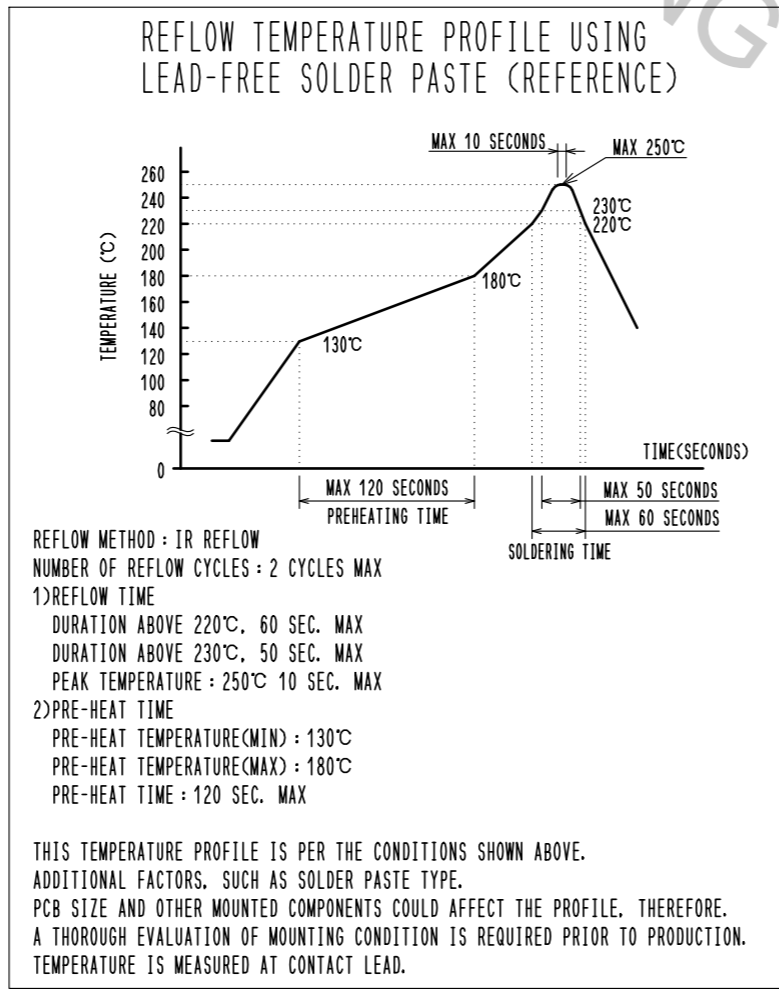
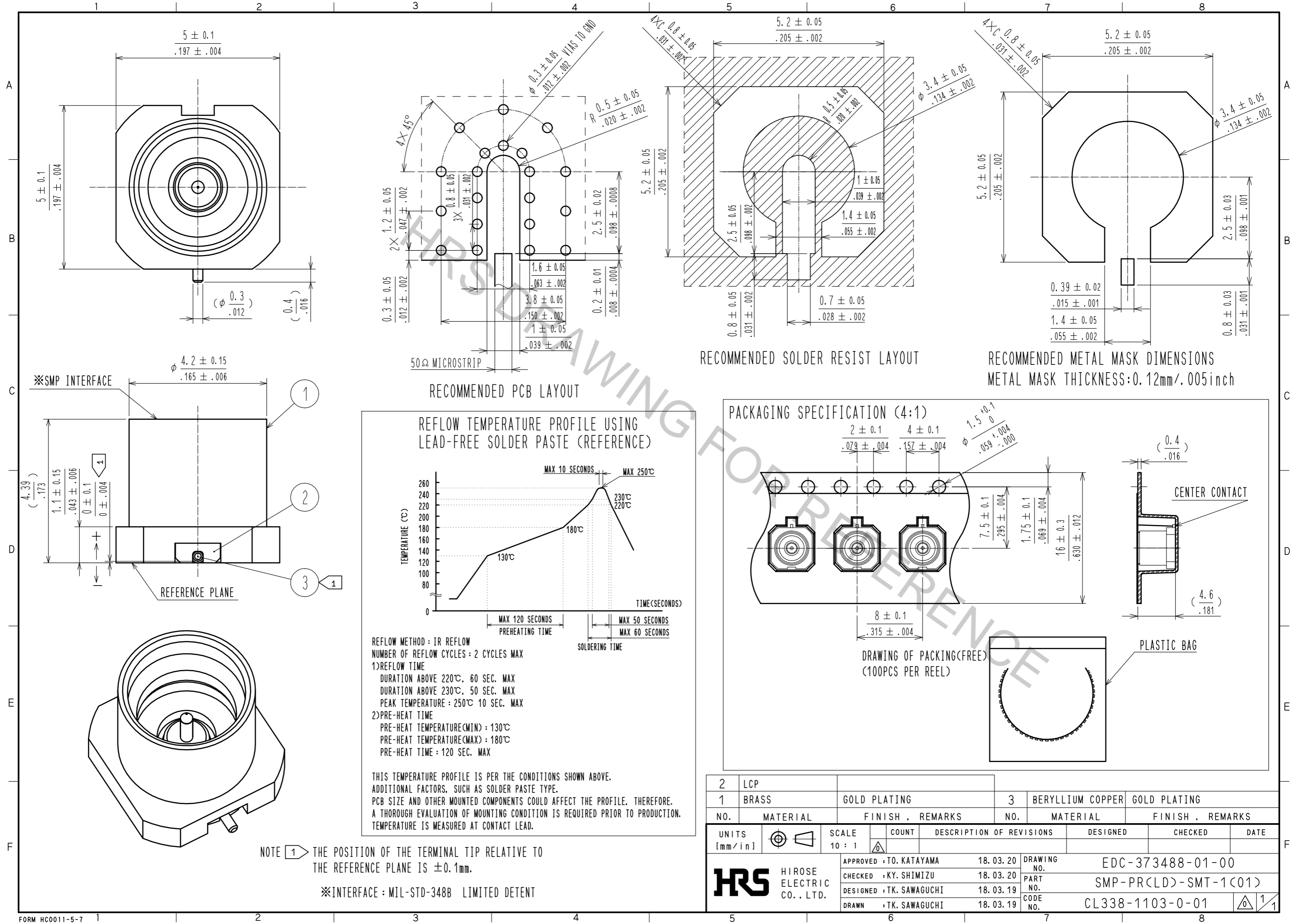


Aug.1.2018 Copyright 2018 HIROSE ELECTRIC CO., LTD. All Rights Reserved.
 In case that the application demands a high level of reliability, such as automotive,
 please contact a company representative for further information.



NOTE ① THE POSITION OF THE TERMINAL TIP RELATIVE TO THE REFERENCE PLANE IS ±0.1mm.
 ※INTERFACE : MIL-STD-348B LIMITED DETENT

2	LCP			3	BERYLLIUM COPPER	GOLD PLATING
1	BRASS	GOLD PLATING				
NO.	MATERIAL	FINISH . REMARKS	NO.	MATERIAL	FINISH . REMARKS	
UNITS [mm/in]	①	SCALE 10 : 1	△	COUNT	DESCRIPTION OF REVISIONS	DESIGNED
						CHECKED
						DATE
APPROVED : TO. KATAYAMA 18.03.20			DRAWING NO. EDC-373488-01-00			
CHECKED : KY. SHIMIZU 18.03.20			PART NO. SMP-PR(LD)-SMT-1(01)			
DESIGNED : TK. SAWAGUCHI 18.03.19			CODE NO. CL338-1103-0-01			
DRAWN : TK. SAWAGUCHI 18.03.19			①			