

THIS DRAWING IS UNPUBLISHED. RELEASED FOR PUBLICATION
 © COPYRIGHT BY TYCO ELECTRONICS CORPORATION. ALL RIGHTS RESERVED.

LOC		DIST		REVISIONS			
P	LTR	DESCRIPTION	DATE	DWN	APVD		
FT	0	A1	REVISED PER ECO-07-000274	1/4/07	SS	GS	

SCREW, 4-40 UNC-2A x 6.35[.250] LG
 MATERIAL: CARBON STEEL
 FINISH: ZINC
 2 EA

CABLE CLAMP HALF
 MATERIAL: CARBON STEEL
 FINISH: 5.08um[.000200] MIN NICKEL

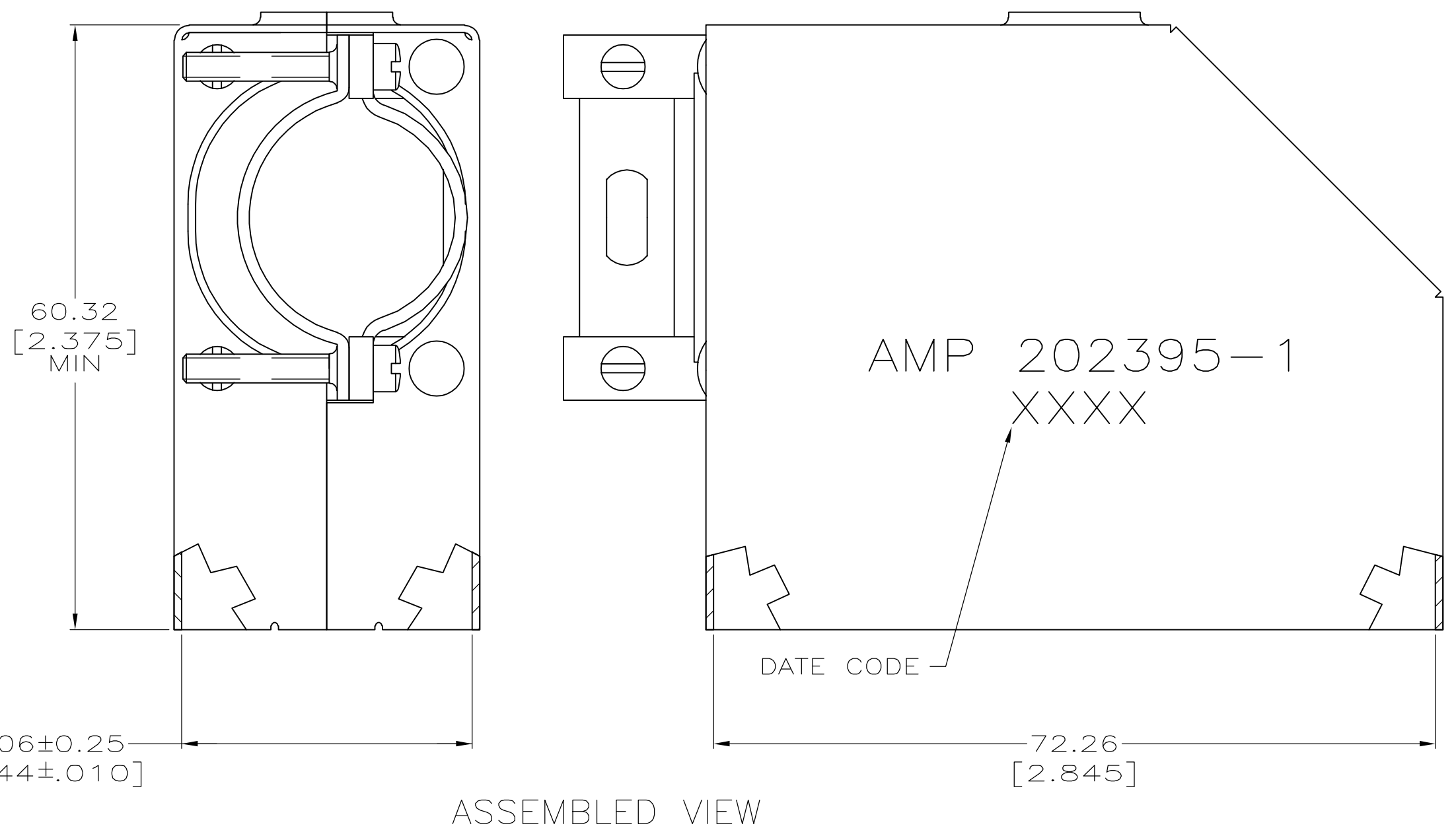
CABLE CLAMP, FIXED
 MATERIAL: STAINLESS STEEL

SCREW, 4-40 UNC-2A x 19.05[.750] LG
 MATERIAL: CARBON STEEL
 FINISH: ZINC
 2 EA

RIVET
 MATERIAL: STEEL
 FINISH: NICKEL
 2 EA

SHIELD HALF, LEFT HAND
 MATERIAL: CARBON STEEL
 FINISH: 5.08um[.000200] MIN NICKEL

SHIELD HALF, RIGHT HAND
 MATERIAL: CARBON STEEL
 FINISH: 5.08um[.000200] MIN NICKEL



- ① SHIELD WILL ACCOMODATE 104 WIRES OF $\phi 1.78[.070]$ MAX.
- ② ZINC PLATING WITH HEXAVALENT CHROMATE COATING.
- ③ ZINC PLATING WITHOUT HEXAVALENT CHROMATE COATING.

③	202395-2
②	202395-1
SCREW FINISH	PART NUMBER

THIS DRAWING IS A CONTROLLED DOCUMENT.		DWN	C.REIFSNYDER	21 MAR 96	Tyco Electronics Corporation Harrisburg, PA 17105-3608
DIMENSIONS: mm		CHK	R.STONE	02 APR 96	
TOLERANCES UNLESS OTHERWISE SPECIFIED:		APVD	G.A.STEINHAUER	16 APR 96	
0 PLC ± - 1 PLC ± - 2 PLC ± 0.13 [.005] 3 PLC ± - 4 PLC ± - ANGLES ± - FINISH SEE CALLOUTS		PRODUCT SPEC	NAME		
MATERIAL SEE CALLOUTS		APPLICATION SPEC	SHIELD KIT, UNASSEMBLED, 104 POSITION, 2 PIECE, M SERIES		RESTRICTED TO
WEIGHT		SIZE	A2	CAGE CODE	00779
CUSTOMER DRAWING		DRAWING NO	C=202395		SCALE
SCALE		2:1		SHEET	1 of 1
REV		A1			