

Interface module - FLK-D37 SUB/B - 2283663

Please be informed that the data shown in this PDF Document is generated from our Online Catalog. Please find the complete data in the user's documentation. Our General Terms of Use for Downloads are valid (<http://download.phoenixcontact.com>)




VARIOFACE module, with screw connection and D-Subminiature female connector, for mounting on NS 35/7.5 or NS 32, 37-pos. (separate test socket for each channel)

The illustration shows version
FLK-D37 SUB/S



Key commercial data

Packing unit	1
Minimum order quantity	1
Catalog page	Page 248 (IF-2007)
GTIN	 4 017918 055608
Custom tariff number	85369010
Country of origin	GERMANY

Technical data

General data

Nominal voltage UN	125 V AC
Max. current carrying capacity per branch	2.5 A
Max. total current of all branches	55 A
Number of positions	37
Width	96 mm
Height	51.6 mm
Depth	51.2 mm
Ambient temperature (operation)	-25 °C ... 50 °C
Ambient temperature (storage/transport)	-25 °C ... 70 °C
Test voltage	800 V AC (50 Hz, 1 min.)
Mounting position	Any
Standards/regulations	IEC 60664
Standards/regulations	DIN EN 50178
Standards/regulations	IEC 62103
Pollution degree	2
Surge voltage category	II

Interface module - FLK-D37 SUB/B - 2283663

Technical data

Connection data for connection 1

Connection name	PCB connection
Connection in acc. with standard	IEC / EN
Connection method	Screw connection
Conductor cross section solid min.	0.2 mm ²
Conductor cross section solid max.	4 mm ²
Conductor cross section stranded min.	0.2 mm ²
Conductor cross section stranded max.	2.5 mm ²
Conductor cross section AWG/kcmil min.	24
Conductor cross section AWG/kcmil max	12
Stripping length	8 mm
Screw thread	M3

Classifications

eclass

eCl@ss 4.0	27250313
eCl@ss 4.1	27250313
eCl@ss 5.0	27250313
eCl@ss 5.1	27250313
eCl@ss 6.0	27242608

etim

ETIM 2.0	EC001434
ETIM 3.0	EC001604
ETIM 4.0	EC001604
ETIM 5.0	EC002780

unspsc

UNSPSC 6.01	30211824
UNSPSC 7.0901	39121421
UNSPSC 11	39121421
UNSPSC 12.01	39121421
UNSPSC 13.2	39121421

Approvals

Approvals

Approvals

GOST

Ex Approvals

Interface module - FLK-D37 SUB/B - 2283663

Approvals

Approvals submitted

Approval details



Accessories

Accessories

Cable/conductor

Cable - CABLE-D37SUB/B/S/ 50/KONFEK/S - 2302191



Round shielded cable set, with 37-pos. D-SUB female and male connectors, cable length: 0.5 m

Cable - CABLE-D37SUB/B/S/100/KONFEK/S - 2302201



Round shielded cable set, with 37-pos. D-SUB female and male connectors, cable length: 1 m

Cable - CABLE-D37SUB/B/S/150/KONFEK/S - 2302214



Round shielded cable set, with 37-pos. D-SUB female and male connectors, cable length: 1.5 m

Cable - CABLE-D37SUB/B/S/200/KONFEK/S - 2302227



Round shielded cable set, with 37-pos. D-SUB female and male connectors, cable length: 2 m

Interface module - FLK-D37 SUB/B - 2283663

Accessories

Cable - CABLE-D37SUB/B/S/300/KONFEK/S - 2302230



Round shielded cable set, with 37-pos. D-SUB female and male connectors, cable length: 3 m

Cable - CABLE-D37SUB/B/S/400/KONFEK/S - 2302243



Round shielded cable set, with 37-pos. D-SUB female and male connectors, cable length: 4 m

Cable - CABLE-D37SUB/B/S/600/KONFEK/S - 2302256



Round shielded cable set, with 37-pos. D-SUB female and male connectors, cable length: 6 m

Cable - CABLE D-SUB-S/.../.../... - 2302340



Shielded round cable, assembled with one D-SUB male and one female connector, variable cable length

Cable - CABLE D-SUB-S-S/.../.../... - 2302434



Shielded round cable, assembled with two D-SUB male connectors, variable cable length

Plug/Adapter

Interface module - FLK-D37 SUB/B - 2283663

Accessories

Reducing plug - RPS - 0201647



Reducing plug, Color: gray

Cable - CABLE-D-37SUB/M/OE/0,25/S/0,5M - 2926577



Shielded cable with a 37-pos. D-SUB pin strip and one open end. The individual wires are labeled 1 to 37 and fitted with ferrules. The braided shield is routed to a separate cable end. Cable length: 0.5 m.

Cable - CABLE-D-37SUB/M/OE/0,25/S/1,0M - 2926580



Shielded cable with a 37-pos. D-SUB pin strip and one open end. The individual wires are labeled 1 to 37 and fitted with ferrules. The braided shield is routed to a separate cable end. Cable length: 1 m.

Cable - CABLE-D-37SUB/M/OE/0,25/S/1,5M - 2926593



Shielded cable with a 37-pos. D-SUB pin strip and one open end. The individual wires are labeled 1 to 37 and fitted with ferrules. The braided shield is routed to a separate cable end. Cable length: 1.5 m.

Cable - CABLE-D-37SUB/M/OE/0,25/S/2,0M - 2926603



Shielded cable with a 37-pos. D-SUB pin strip and one open end. The individual wires are labeled 1 to 37 and fitted with ferrules. The braided shield is routed to a separate cable end. Cable length: 2 m.

Interface module - FLK-D37 SUB/B - 2283663

Accessories

Cable - CABLE-D-37SUB/M/OE/0,25/S/3,0M - 2926616



Shielded cable with a 37-pos. D-SUB pin strip and one open end. The individual wires are labeled 1 to 37 and fitted with ferrules. The braided shield is routed to a separate cable end. Cable length: 3 m.

Cable - CABLE-D-37SUB/M/OE/0,25/S/4,0M - 2926629



Shielded cable with a 37-pos. D-SUB pin strip and one open end. The individual wires are labeled 1 to 37 and fitted with ferrules. The braided shield is routed to a separate cable end. Cable length: 4 m.

Cable - CABLE-D-37SUB/M/OE/0,25/S/6,0M - 2926632



Shielded cable with a 37-pos. D-SUB pin strip and one open end. The individual wires are labeled 1 to 37 and fitted with ferrules. The braided shield is routed to a separate cable end. Cable length: 6 m.

Cable - CABLE-D-37SUB-M-OE-0,25-S/... - 2900912

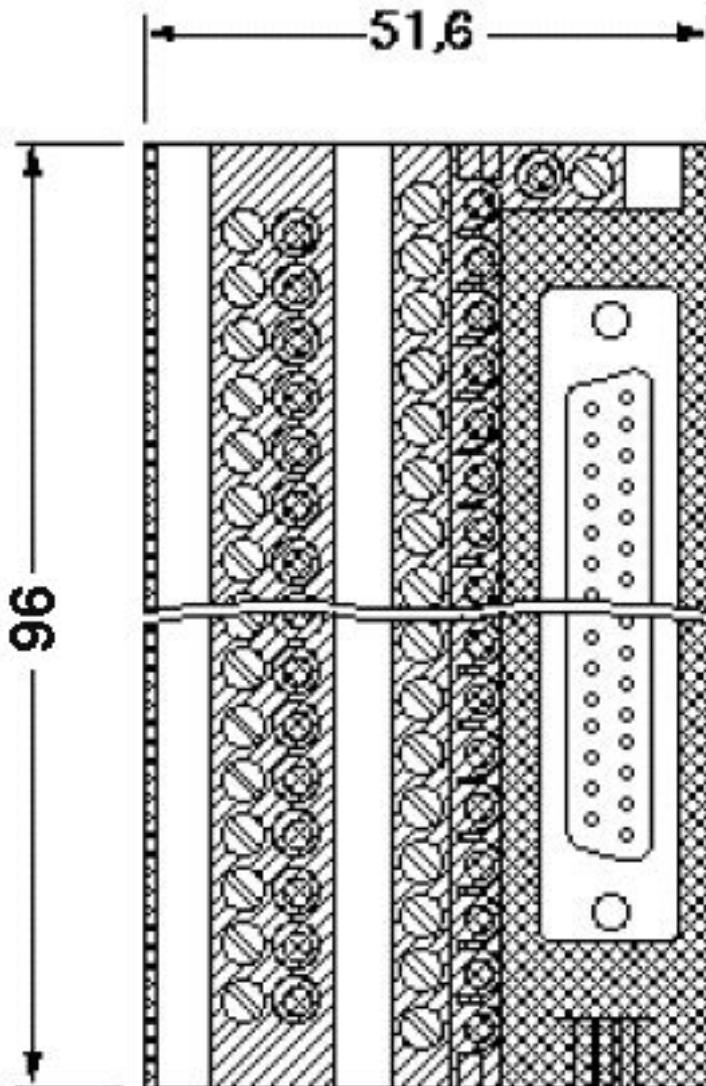


Shielded cable with a 37-pos. D-SUB pin strip and one open end. The individual wires are labeled 1 to 37 and fitted with ferrules. The braided shield is routed to a separate cable end. Cable length: variable.

Drawings

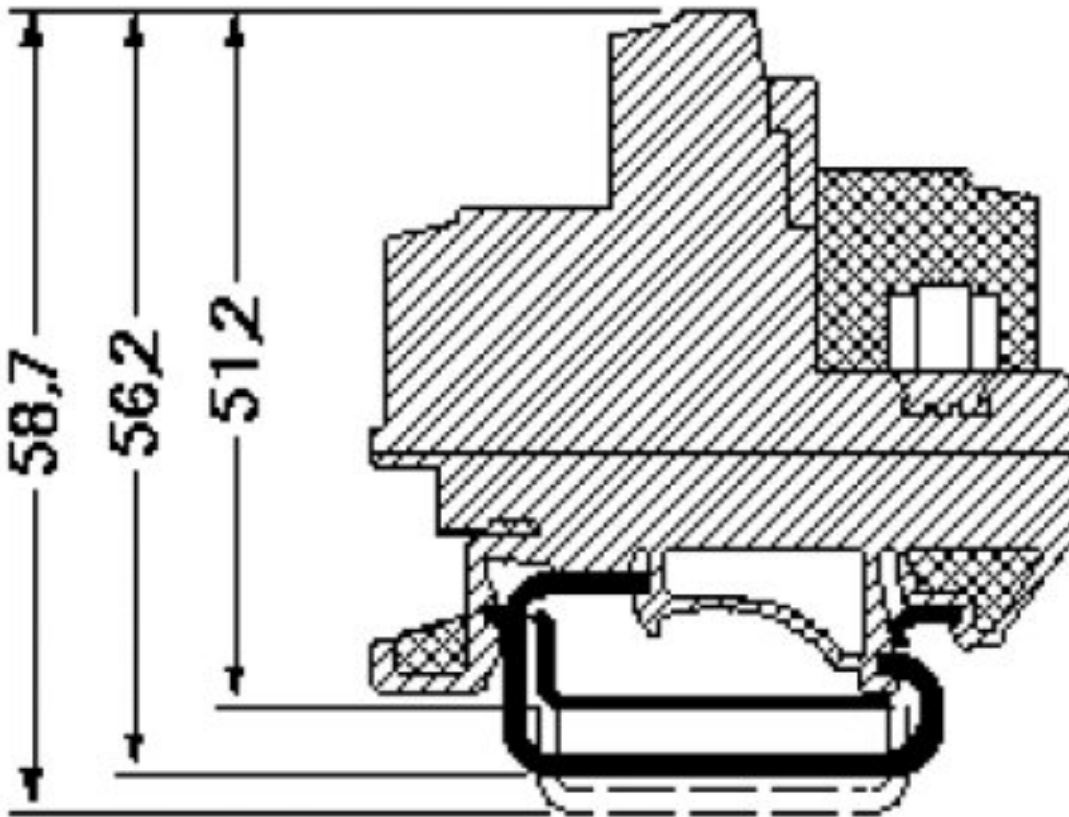
Interface module - FLK-D37 SUB/B - 2283663

Dimensioned drawing



Interface module - FLK-D37 SUB/B - 2283663

Dimensioned drawing



© Phoenix Contact 2012 - all rights reserved
<http://www.phoenixcontact.com>