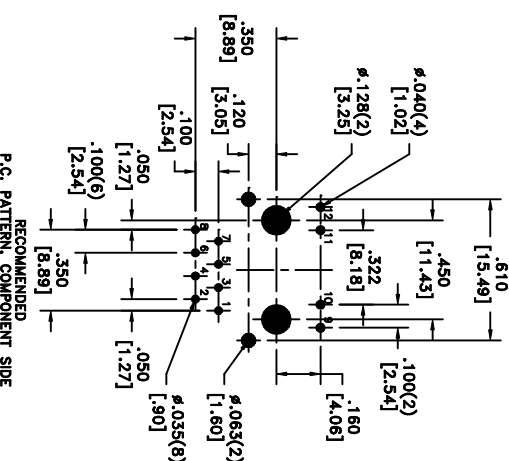
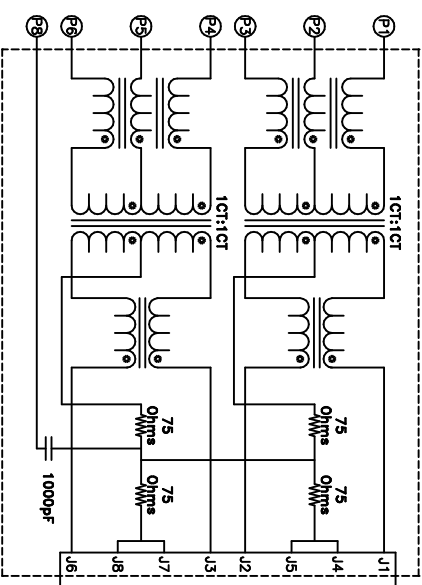


LOT CODE & DATE CODE & REV

**ELECTRICAL SPECIFICATIONS @ 25°C unless otherwise noted:**

- INDUCTANCE: 350uH min., 100kHz, 100mV, 8mADC, J1-J2; J3-J6, Lp.
- DIELECTRIC RATING: 1500Vrms for 1 minute between P1-J1(the P3+P4).
- TURNS RATIO/POLARITY: (P1-P3):(J1-J2) = 1:1, ±2%.  
(P4-P6):(J3-J6) = 1:1, ±2%.
- INSERTION LOSS: -1.0dB max., 1MHz - 100MHz.
- RETURN LOSS: -18dB min., 1M - 30MHz.  
-16dB min., 30M - 45MHz.  
-14dB min., 45M - 60MHz.  
-12dB min., 60M - 80MHz.
- CROSSTALK: -35dB min., 1MHz - 100MHz.
- COMMON MODE REJECTION: -35dB min., 1MHz - 100MHz.  
-25dB min., 100MHz - 500MHz.
- OPERATING TEMPERATURE RANGE: 0°C to +70°C. (0)



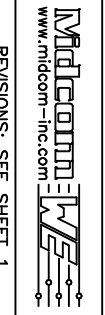
RECOMMENDED  
P.C. PATTERN, COMPONENT SIDE

REV.	DATE
02	3/08
01	3/08
00	12/07

Packaging Specifications  
Method: Tube  
PKG-0524  
www.midcom-inc.com

Unless otherwise specified:  
Tolerances: Fractions: ±1/64  
Angles: ±1° Decimals: ±.010 [25]  
This drawing is dual dimensioned. Dimensions in brackets are in millimeters.

DRAWING TITLE  
**TRANSFORMER**  
10/100Mbs  
eSOS p/n: 7499011215



DRAWING NO. 7499011215  
SCALE ---  
SHEET 2 OF 6