

SUMMARY

Wires

Low	0
High	0
Coax	0
Triax	1
Quad	0
Fiber	0
Fluidic	0



Image is for illustrative purpose only

Download

[Request a quote](#)

[Catalog](#)

Series	3T
Termination type	Female solder
IP rating	66
Cable Ø	0.00 - 0.00 mm
Matching parts	FFA.3T.675.CTAY92
Status	
Alternative part	

TECHNICAL DETAILS

Mechanics

Shell Style/Model	PSA*: Fixed socket with cable clamping, nut fixing
Keying	
Housing Material	Brass (chrome plated) shell and collet nut, nickel plated brass latch sleeve and mid pieces
Cable Fixing	∅ 0 - 0 mm
Variant	

Performance

Configuration	3T.675 : 1 Triax (75 Ohm)
Insulator	T: PTFE
Rated Current	8 Amps

Specifications

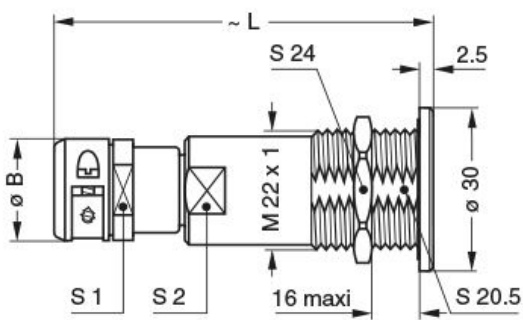
Contact Type: Triaxial 75 Ohm (Solder)
Vtest: 1200 V (AC), 1690 V (DC)
Impedance: 75 Ohm

Others

Temp (min / max): -55° C / +200° C
 Humidity (max): <=95% [at 60 deg C / 140 F]
 Vibration: 15 g [10 Hz - 2000 Hz]
 Shock Resistance: 100 g [6 ms]
 Salt Spray Corrosion: >144 hr
 Climatological Category: 50/175/21
 Shielding (min): 75 dB (10 MHz)
 Shielding (min): 40 dB (1 GHz)
 IP Rating: 66

DRAWINGS

Draws



Dimensions

	B	L	S1	S2
mm.	20	81	18	16
in.	0,79	3,19	0,71	0,63

RECOMMENDED BY LEMO

Tools

None

Cables